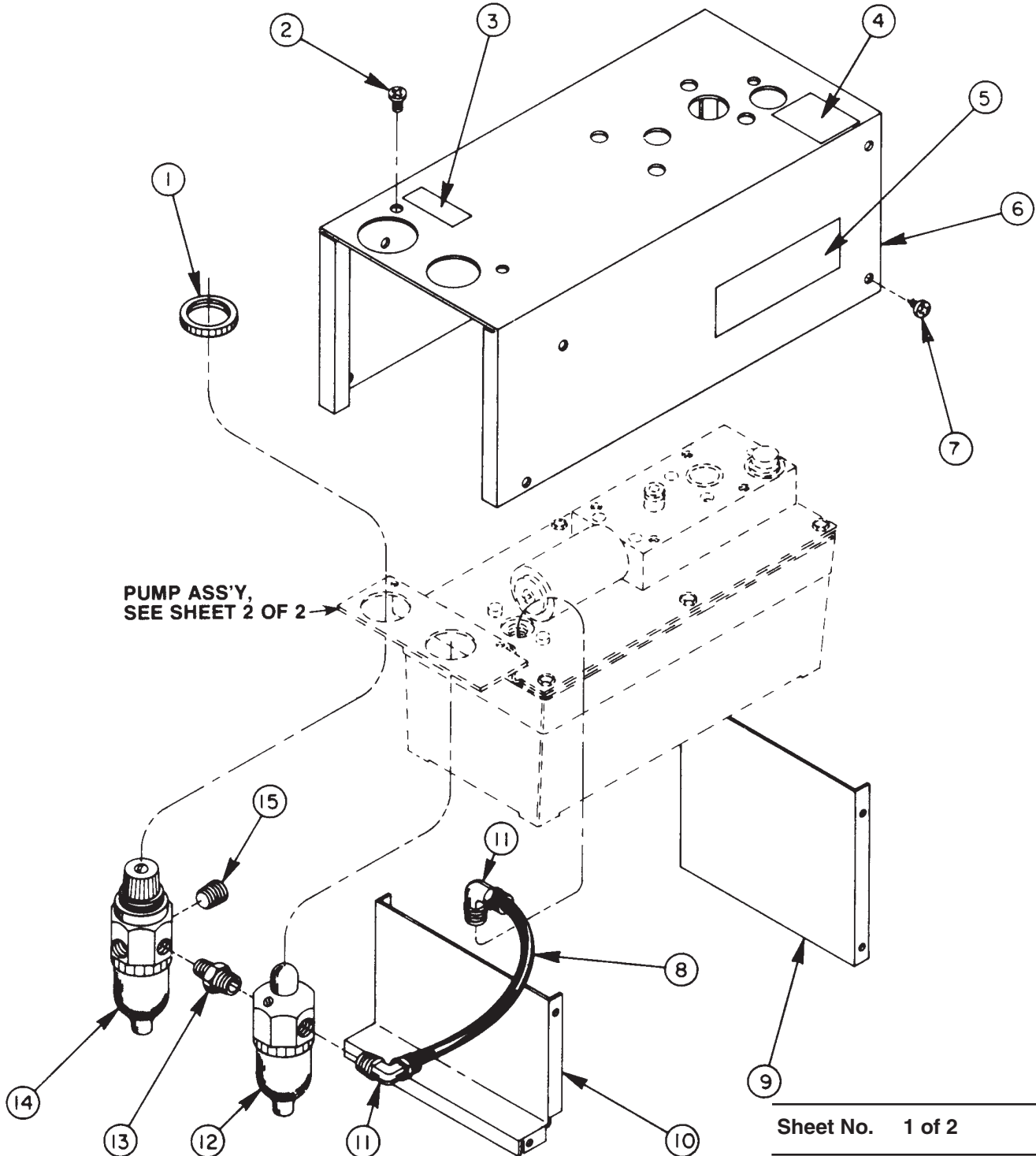


MODEL B
AIR HYDRAULIC PUMP
Max. Capacity: 1,200 PSI



Item No.	Part No.	No. Req'd	Description
1	16614	1	Panel Mounting Ring
2	14126	3	Thread Forming Screw
3	202076	1	Decal (Increase-Decrease)
4	12204	1	Decal (Fill Cap Venting)
5	201932	2	Decal (Trade Name)
6	50886WH2	1	Top Cover
7	14394	8	Self-Tapping Screw
8	14726	.33 ft.	Plastic Tubing
9	42357PU2	1	Front Panel
10	42358PU2	1	Back Panel
11	15457	2	Elbow
12	15009	1	Air Lubricator (Replacement bowl only - #206264)
13	16449	1	Hex Nipple (1/8 NPTF to 1/4 NPTF)
14	16452	1	Filter-Regulator Combination (Replacement bowl only - #206265)
15	10479	1	Pipe Plug (1/4 NPTF)

PARTS INCLUDED BUT NOT SHOWN

15411	1	Decal (Patent)
17946	1	Pressure Gauge (5,000 PSI)
37181	1	Decal (For 100191)
37180	1	Decal (For 100196)

OPTIONAL VALVE/MANIFOLD

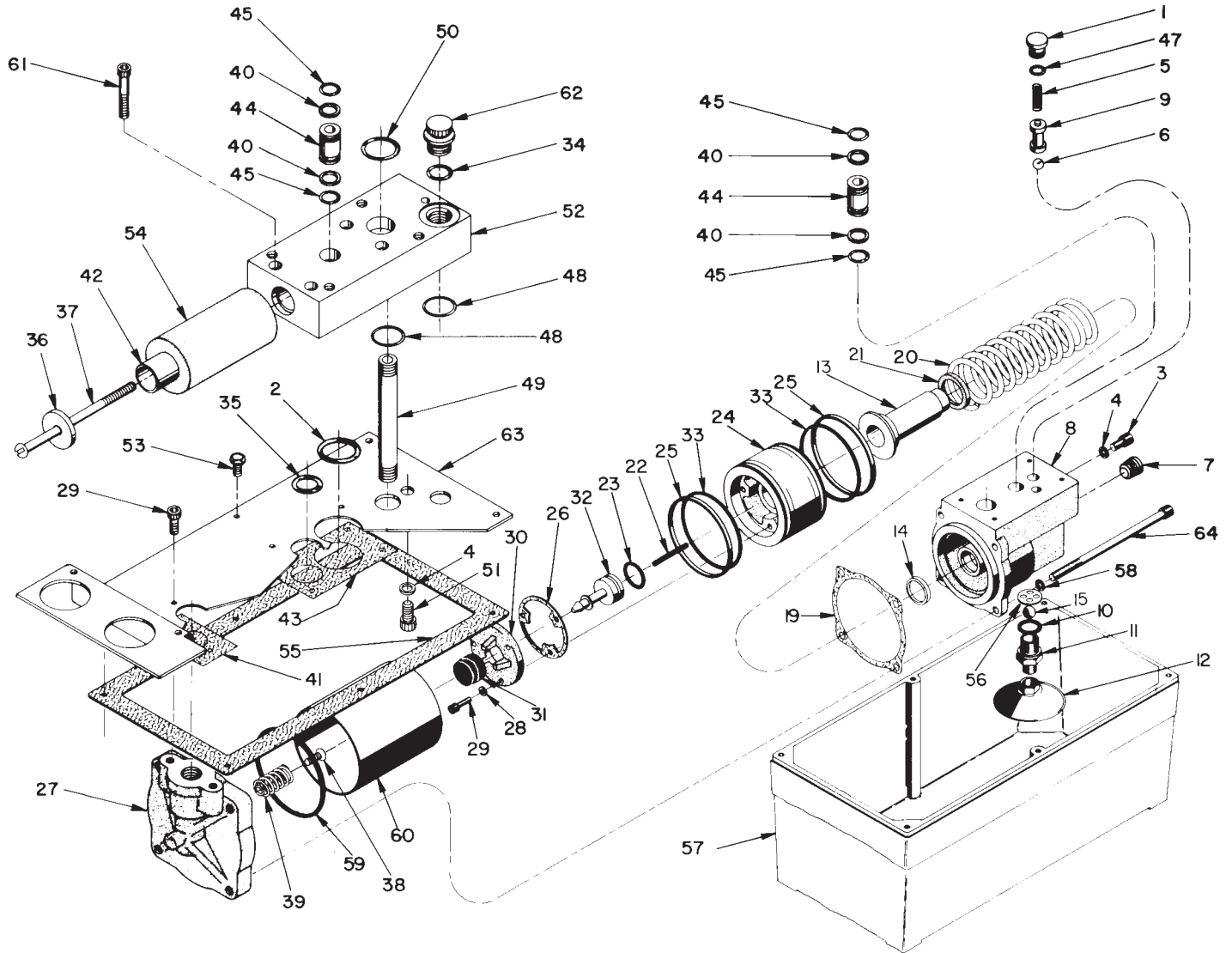
100235	1	3-Way/4-Way Valve Ass'y (Used on 100196 - See Form No. 100374)
100237	1	Manifold Ass'y (Used on 100191 - See Form No. 100373)

Refer to any operating instructions included with this product for detailed information about operation, testing, disassembly, reassembly, and preventive maintenance.

Items found in this parts list have been carefully tested and selected. **Therefore: Use only genuine Hytec replacement parts!**

Additional questions can be directed to our Technical Services Department.

BASIC PUMP UNIT



Part List, Form No. 100376, Back Sheet 2 of 2

Item No.	Part No.	No. Req'd	Description	Item No.	Part No.	No. Req'd	Description
1	36497	1	Check Valve Body	35	*10276	1	O-ring (1" X 3/4 X 1/8, -210)
2	*10281	1	O-ring (1 1/2 X 1 1/4 X 1/8 CS, -218)	36	16450	1	Steel Washer
3	10002	1	Cap Screw (1/4-20 X 3/8 Lg.)	37	16453	1	Rd. Hd. Screw (#10-24 X 4" Lg.)
4	*10442	2	Copper Washer (3/8 X 1/4 X 1/32)	38	205674	1	Cap Screw
5	*10445	1	Compression Spring (.164 O.D. X 23/32 Lg.)	39	*205679	1	Spring
6	*10423	1	Steel Ball (9/32 Dia.)	40	*10311	4	Backup Washer
7	10427	1	Pipe Plug (1/8 NPTF)	41	*28858	1	Gasket
8	50916	1	Pump Body	42	28387	1	Muffler
9	202568	1	Ball Guide	43	*34283	1	Gasket
10	*10653	1	O-ring (15/16 X 3/4 X 3/32)	44	21094	2	Bushing
11	37185	1	Filter Adapter (Torque to 35/40 ft. lbs. oiled)	45	*10268	4	O-ring (1/2 X 3/8 X 1/16, -012)
12	203147	1	Filter	47	*12522	1	O-ring, Disogrin (3/8 X 1/8 X 1/16, -010)
13	202361	1	Piston	48	*12549	2	O-ring (13/16 X 11/16 X 1/16, -017)
14	*16585	1	Packing U-cup	49	15426	1	Drain Line
15	*10379	1	Steel Ball (1/2 Dia.)	50	*10275	1	O-ring (15/16 X 3/4 X 3/32, -116)
19	*28979	1	Gasket	51	10807	1	Cap Screw (1/4-20 X 1/2 Lg.)
20	*16584	1	Compression Spring (1 3/16 I.D. X 5" Lg.)	52	50888	1	Port Block
21	*202566	1	Bumper	53	14456	6	Screw (Torque to 25/30 in. lbs.)
22	*12692	1	Spring (3/16 O.D. X 1 1/2 Lg.)	54	*29992	1	Foam Tube
23	*10303	1	O-ring (7/8 X 3/4 X 1/16 CS, -018)	55	*33853	1	Reservoir Gasket
24	33824	1	Piston Body	56	*202347	1	Ball Stop
25	*14265	2	Piston Ring	57	41633	1	Reservoir
26	*28239	1	Gasket	58	15823	4	Lockwasher
27	37468	1	Rear Head	59	*17429	1	Backup Ring
28	10241	3	Lockwasher	60	37434	1	Air Cylinder (Locate Groove toward top near cover plate)
29	11434	5	Soc. Hd. Cap Screw (#10-24 X 1/2 Lg. - Torque to 50/55 in. lbs.)	61	11151	4	Soc. Hd. Cap Screw (#10-24 X 1 1/4 Lg.)
30	33822	1	Piston End Plate	62	24132	1	Filler Plug
31	*28183	1	Piston Poppet	63	50889-WH2	1	Cover Plate
32	33845	1	Exhaust Valve Stem	64	17428	4	Soc. Hd. Cap Screw (1/4-20 X 4" Lg. - Torque to 90/100 in. lbs. oiled.
33	*11229	2	O-ring (2 3/8 X 2 3/16 X 3/32, -139)				NOTE: Cross torque in increments of 50 in. lbs.)
34	*10300	1	O-ring (5/8 X .468 X .078)				

Part numbers marked with an asterisk (*) are contained in Repair Kit No. 300141.