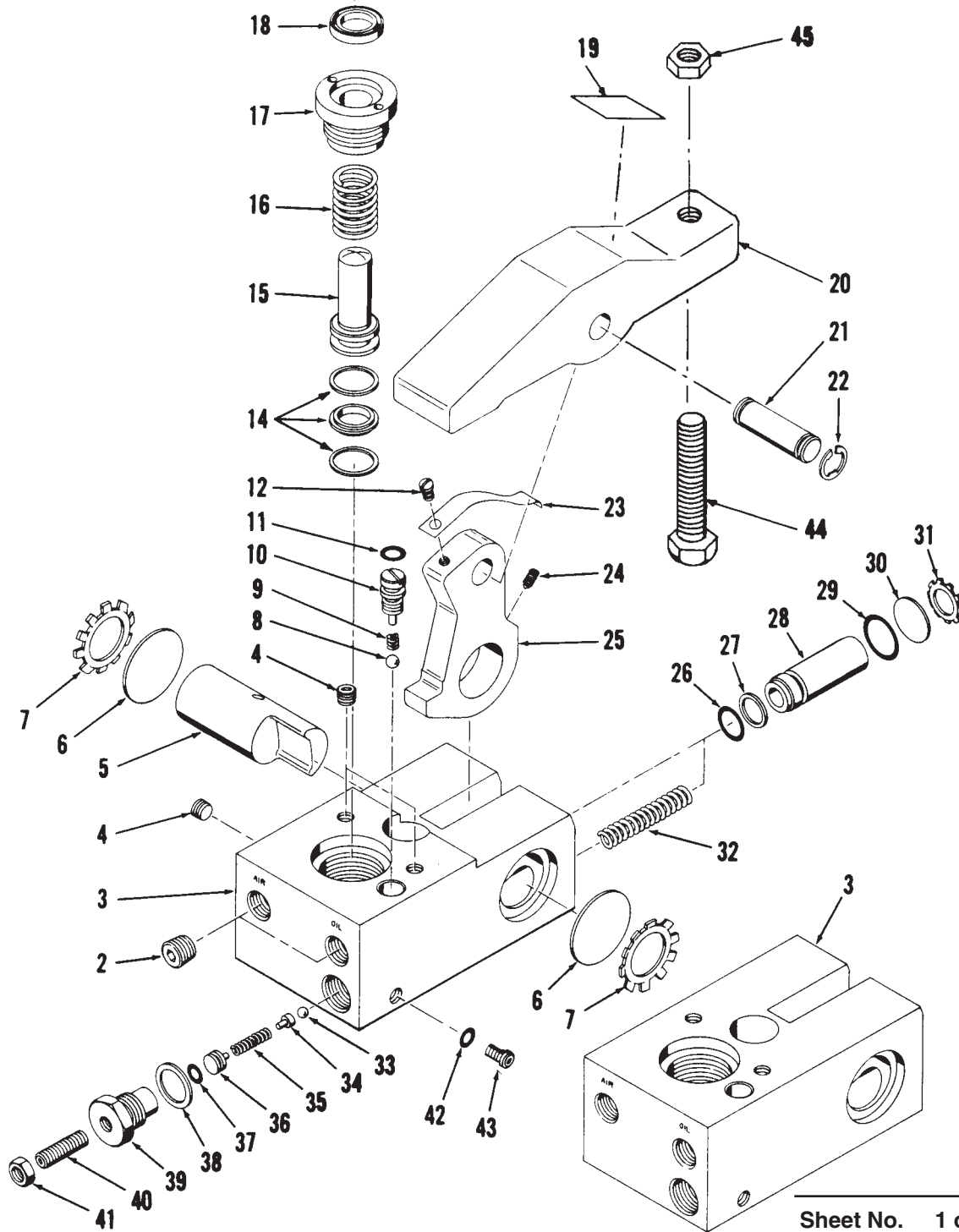


Parts List for:

100115
100116
100117

110107
110108
110109

**MODEL B
RETRACTING CLAMP
AIR/SPRING RETURN**



Parts List, Form No. 100639, Back sheet 1 of 2

		CATALOG NUMBER								
		100115	100116	100117	110107	110108	110109			
Item No.	Part No.						No. Req'd	Description		
2	10479	10479	10479					2	Pipe Plug (1/4 NPTF)	
				250883	250883	250883		2	Plug Fitting (1/4 tube)	
3	60253	60254	60255	421767	421766	421765		1	Body	
4	15499	15499	15499	15499	15499	15499		3	Pipe Plug (1/8 NPTF)	
5	35519	35517	35527	35527	35517	35519		1	Pivot Link Shaft	
6	15526	15526	15526	15526	15526	15526		2	Disc	
7	12198	12198	12198	12198	12198	12198		2	Retaining Ring	
8	*10374	*10374	*10374	*10374	*10374	*10374		1	Steel Ball (7/32 Dia.)	
9	*15502	*15502	*15502	*15502	*15502	*15502		1	Comp. spring (1/64 O.D. X 5/16 Lg.)	
10	200540	200540	200540	200540	200540	200540		1	Retainer	
11	*12522	*12522	*12522	*12522	*12522	*12522		1	Disogrin O-ring (3/8 X 1/4 X 1/16)	
	†206486	††206486	†††206486	†††206486	††206486	†206486		1	O-ring (3/8 X 1/4 X 1/16)	
12	13063	13063	13063	13063	13063	13063		1	Mach. Screw (10-24 UNC X 1/4 Lg.; Apply loctite #242 or equivalent.)	
14	*14884	*15157	*15153	*15153	*15157	*14884		1	Tee Seal (Piston) & Backup Rings (Smooth side of Backup Ring must be against seal)	
	†19235	††19228	†††19224	†††19224	††19228	†19235		1	Tee Seal (Piston) & Backup Rings (Smooth side of Backup Ring must be against seal)	
15	35360	35364	35423	35423	35364	35360		1	Ram	
16	*15107	*15108	*15109	*15109	*15108	*15107		1	Spring	
17	35447					35447		1	Retainer Nut (Torque to 60/70 ft. lb.)	
		35448				35448		1	Retainer Nut (Torque to 50/60 ft. lb.)	
			35452	35452				1	Retainer Nut (Torque to 40/50 ft. lb.)	
18	*15089	*15088	*15092	*15092	*15088	*15089		1	Rod Wiper	
	†19319	††19318	†††19321	†††19321	††19318	†19319		1	Rod Wiper	
19	215829	215829	215829	215829	215829	215829		1	Decal	
20	42394	42395	42393	42393	42395	42394		1	Arm	
21	200580	200589	200639	200639	200589	200580		1	Pin	
22	11901	15529	15564	15564	15529	11901		2	Retaining Ring	
23	*200723	*200720	*200738	*200738	*200720	*200723		1	Spring	
24	15657					15657		4	Set Screw (1/4-20 UNC X 1/2 Lg.; Apply loctite #242 or equivalent. Torque to 270/290 in. lb.)	
		10145				10145		4	Set Screw (1/4-20 UNC X 1/2 Lg.; Apply loctite #242 or equivalent. Torque to 145/165 in. lb.)	
			15668	15668				4	Set Screw (1/4-20 UNC X 1/2 Lg.; Apply loctite #242 or equivalent. Torque to 70/90 in. lb.)	
25	35520	35518	35526	35526	35518	35520		1	Pivot Link	
26	*12098	*12098	*12098	*12098	*12098	*12098		2	O-ring (9/16 X 7/16 X 1/16)	
	†18975	††18975	†††18975	†††18975	††18975	†18975		2	O-ring (9/16 X 7/16 X 1/16)	
27	†*15500	††*15500	†††*15500	†††*15500	††*15500	†*15500		2	Back-Up Washer	
28	35362	35362	35362	35362	35362	35362		2	Piston	
29	*10302	*10302	*10302	*10302	*10302	*10302		2	O-ring (3/4 X 5/8 X 1/16)	
	†11442	††11442	†††11442	†††11442	††11442	†11442		2	O-ring (3/4 X 5/8 X 1/16)	
30	15653	15653	15653	15653	15653	15653		2	Disc	

Continued -

Note: Shaded areas reflect last revision(s) made to this form.

		CATALOG NUMBER								
		100115	100116	100117	110107	110108	110109			
Item No.	Part No.						No. Req'd	Description		
31	†14873	††14873	†††14873	†††14873	††14873	†14873	2	Retaining Ring		
32	*15506	*15506	*15506	*15506	*15506	*15506	1	Comp. Spring (19/64 O.D. X 3" Lg.)		
33	*12223	*12223	*12223	*12223	*12223	*12223	1	Steel Ball (3/16 Dia.)		
34	200548	200548	200548	200548	200548	200548	1	Spring Guide		
35	*15501	*15501	*15501	*15501	*15501	*15501	1	Spring		
36	200539	200539	200539	200539	200539	200539	1	Ball & Spring Guide		
37	*15023	*15023	*15023	*15023	*15023	*15023	1	Disogrin O-ring (5/16 x 3/16 X 1/16)		
	†206487	††206487	†††206487	†††206487	††206487	†206487	1	O-ring (5/16 X 3/16 X 1/16)		
38	†*10261	††*10261	†††*10261	†††*10261	††*10261	†*10261	1	Copper Washer		
39	26570	26570	26570	26570	26570	26570	1	Guide (Torque to 325/350 in. lb.)		
40	15503	15503	15503	15503	15503	15503	1	Set Screw (1/4-28 UNF X 1" Lg.)		
41	10200	10200	10200	10200	10200	10200	1	Nut (Torque to 70/80 in. lb.)		
42	*14319	*14319	*14319	*14319	*14319	*14319	2	Washer (5/16 X 3/16 X 1/32)		
43	15951	15951	15951	15951	15951	15951	1	Button Head Screw (Torque to 35/45 in. lb.)		
44	202221	202223	202209	202209	202223	202221	1	Contact Pin		
45	10399	10395	10391	10391	10395	10399	1	Jam Nut		

PARTS INCLUDED BUT NOT SHOWN

†205724	††205724	†††205724	†††205724	††205724	†205724	1	Decal (Viton)
420691	420691	420691	420691	420691	420691	1	Trade Name Decal

Part numbers marked with an asterisk (*) are in the Standard Repair Kit as follows:

Repair Kit No. 200789 for 100115 & 110109.

Repair Kit No. 200790 for 100116 & 110108.

Repair Kit No. 200791 for 100117 & 110107.

Part numbers marked with one dagger (†) are contained in Viton Seal Kit No. 300234 for 100115 & 110109.

Part numbers marked with a double dagger (††) are contained in Viton Seal Kit No. 300235 for 100116 & 110108.

Part numbers marked with a triple dagger (†††) are contained in Viton Seal Kit No. 300236 for 100117 & 110107.

Note: Shaded areas reflect last revision(s) made to this form.

Refer to any operating instructions included with this product for detailed information about operation, testing, disassembly, reassembly, and preventive maintenance.

Items found in this parts list have been carefully tested and selected. **Therefore: Use only genuine Hytec replacement parts!**

Additional questions can be directed to our Technical Services Department.