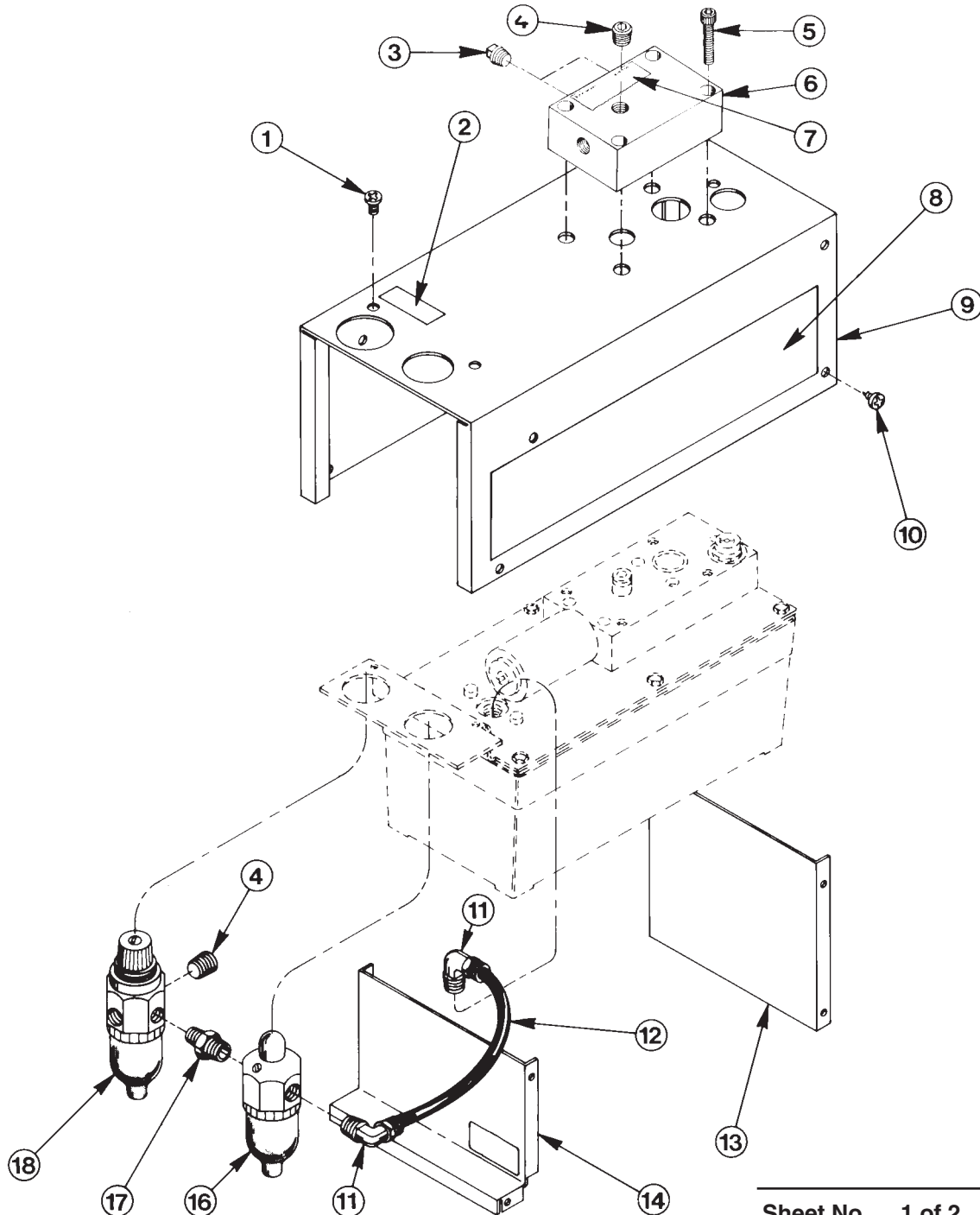


MODEL D
AIR HYDRAULIC PUMP
Max. Capacity: 2,500 PSI



Parts List, Form No. 100831, Back sheet 1 of 2

Item No.	Part No.	No. Req'd	Description
1	14126	3	Thread Forming Screw
2	*202076	1	Decal (Increase-Decrease)
3	10970	2	Plug Fitting (1/4 NPTF)
4	10479	2	Pipe Plug (1/4 NPTF)
5	10020	4	Soc. Hd. Cap Screw (1/4-20 UNC X 1-1/4" Lg.)
6	45837	1	Manifold Body
7	210995	1	Decal (Return-Pressure)
8	309386	2	Decal (Trade Name)
9	50886WH2	1	Top Cover
10	14394	8	Self-tapping Screw
11	15457	2	Elbow
12	14726	.33 ft.	Plastic Tubing
13	42357PU2	1	Front Panel
14	42358PU2	1	Back Panel
16	15009	1	Air Lubricator (Replacement bowl only - #206264 for Wilkerson model; #251076 for Norgren model)
17	16449	1	Hex Nipple
18	16452	1	Filter-Regulator Combination (Replacement bowl only - #206265) (For Service Instr. see Form No. 16461)

PARTS INCLUDED BUT NOT SHOWN

17946	1	Pressure Gauge (5,000 PSI)
10645	1	45° Elbow Fitting (Used with pressure gauge on manifold)
350492	1	Important Decal

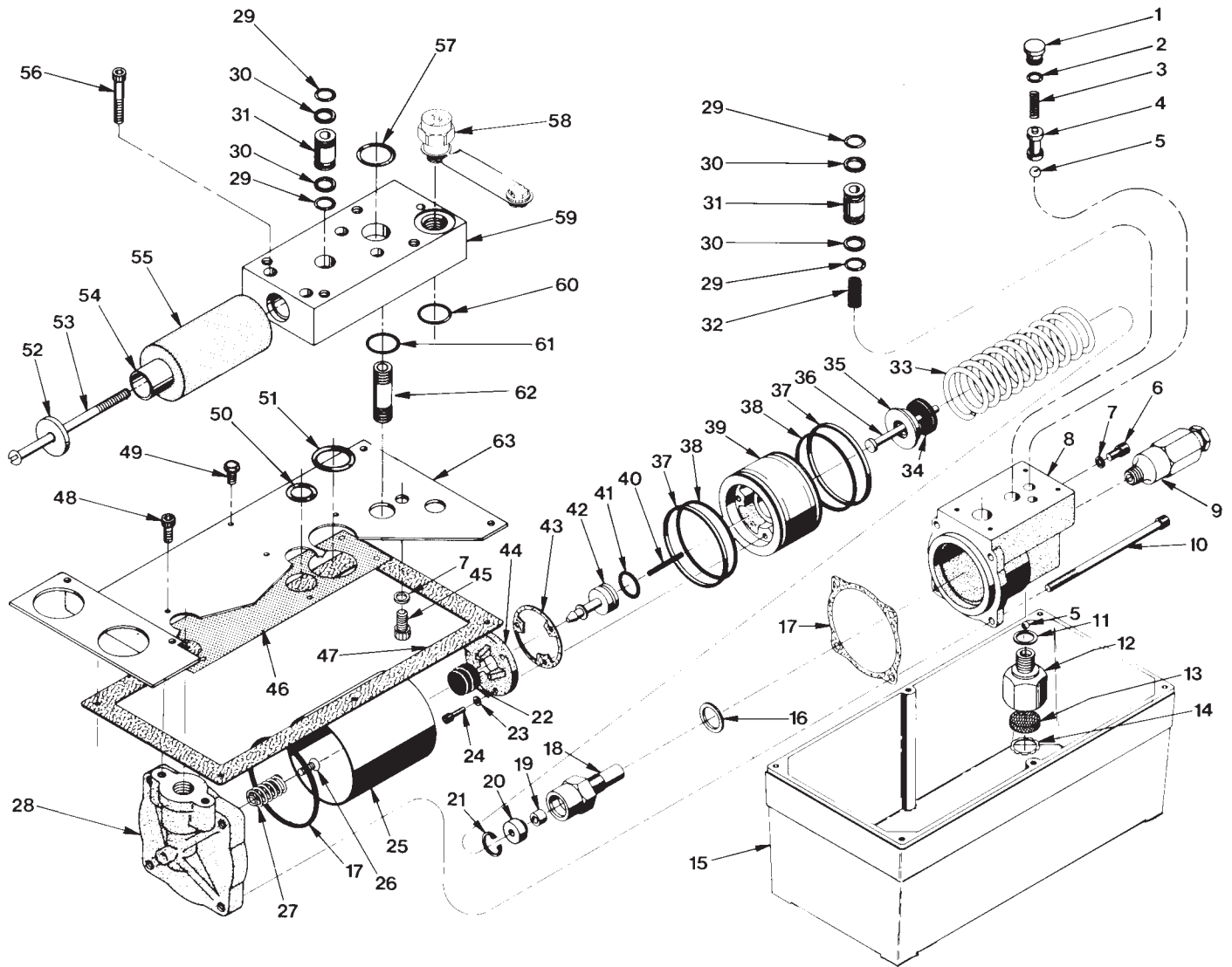
Part numbers marked with an asterisk (*) are contained in Repair Kit No. 300449.

Refer to any operating instructions included with this product for detailed information about operation, testing, disassembly, reassembly, and preventive maintenance.

Items found in this parts list have been carefully tested and selected. **Therefore: Use only genuine Hytec replacement parts!**

Additional questions can be directed to our Technical Services Department.

BASIC PUMP ASSEMBLY



Parts List, Form No. 100831, Back sheet 2 of 2

Item No.	Part No.	No. Req'd	Description	Item No.	Part No.	No. Req'd	Description
1	36497	1	Check Valve Body	30	*11863	4	Backup Washer (1/2 X 3/8 X 1/16)
2	*12522	1	O-ring (3/8 X 1/4 X 1/16)	31	21094	2	Bushing
3	*10445	1	Compression Spring (5/32 O.D. X 3/4 Lg.)	32	*16448	1	Compression Spring
4	202568	1	Ball Guide	33	*13938	1	Compression Spring (1.452 O.D. X 4-7/16" Lg.)
5	*10423	2	Steel Ball (9/32 dia.)	34	*250205	1	Bumper
6	10002	1	Cap Screw (1/4-20 UNC X 3/8 Lg.; Torque to 90/110 in. lbs.)	35	250206	1	Spring Guide
7	*10442	2	Copper Washer (3/8 X 1/4 X 1/32)	36	350071	1	Piston
8	50494	1	Pump Body	37	*14265	2	Piston Ring
9	21278-50	1	Relief Valve Assembly (Set at 5,100/5,700 PSI)	38	*251835	2	O-ring (2-1/2" X 2-5/16" X 3/32)
10	17428	4	Soc. Hd. Cap Screw (1/4-20 UNC X 3-1/2" Lg.; Torque to to 85/95 in. lbs. oiled.) NOTE: Cross torque in increments of 30 in. lbs.)	39	52390	1	Piston Body
11	*10261	1	Copper Washer (3/4 X 19/32 X 1/32)	40	*12692	1	Spring (3/16 O.D. X 1-11/16" Lg.)
12	48010	1	Filter Adapter (Torque to 40/45 ft. lbs. oiled)	41	*211052	1	O-ring (.900 X .706 X .097)
13	214578	1	Filter	42	305475	1	Exhaust Valve Stem
14	214586	1	Retaining Ring (Internal)	43	*28239	1	Gasket
15	61243	1	Reservoir	44	33822	1	Piston End Plate
16	*10263	1	Copper Washer (1" X .765 X 1/32)	45	10807	1	Cap Screw
17	*17429	2	Backup Ring (2-15/16" X 2-3/4" X .045)	46	*34283	1	Gasket
18	420043	1	Cylinder (Torque to 90/100 ft. lbs. oiled.)	47	*33853	1	Reservoir Gasket
19	*253095	1	U-cup	48	11434	2	Cap Screw (#10-24 UNC X 1/2 Lg.; Torque to 50/60 in. lbs.)
20	250207	1	Retainer	49	211060	10	Screw (Four used for mounting; Torque to 25/35 in. lbs.)
21	*250208	1	Retaining Ring (Install with sharp edge toward retained part.)	50	*251214	1	O-ring (1.002 X .720 X .141)
22	*28183	1	Piston Poppet	51	*251215	1	O-ring (1.494 X 1.212 X .141)
23	10241	3	Lockwasher (#10 bolt)	52	16450	1	Steel Washer
24	211054	3	Soc. Hd. Cap Screw (#10-24 X 1/2 Lg.; Torque to 50/55 in. lbs.)	53	16453	1	Rd. Hd. Screw (#10-24 UNC X 4" Lg.; Apply Loctite 277 or equivalent to external threads.)
25	37434	1	Air Cylinder (Locate Groove toward top near cover plate.)	54	28387	1	Muffler
26	*205674	1	Cap Screw (Torque to 12/18 in. lbs.)	55	*29992	1	Foam Tube
27	*205679	1	Spring (.485 O.D. X .915 Lg.)	56	11151	4	Soc. Hd. Cap Screw (#10-24 UNC X 1-1/4" Lg.; Torque to 50/60 in. lbs.)
28	37468	1	Rear Head	57	*10275	1	O-ring (15/16 X 3/4 X 3/32)
29	*10268	4	O-ring (1/2 X 3/8 X 1/16)	58	24132S	1	Cap & Gasket Assembly
				59	50888	1	Port Block
				60	*12549	1	O-ring (13/16 X 11/16 X 3/32)
				61	*10304	1	O-ring (1" X 7/8 X 1/16)
				62	15024	1	Close Nipple
				63	50889WH2	1	Cover Plate

Part numbers marked with an asterisk (*) are contained in Repair Kit No. 300449.

Note: Shaded areas reflect last revision(s) made to this form.