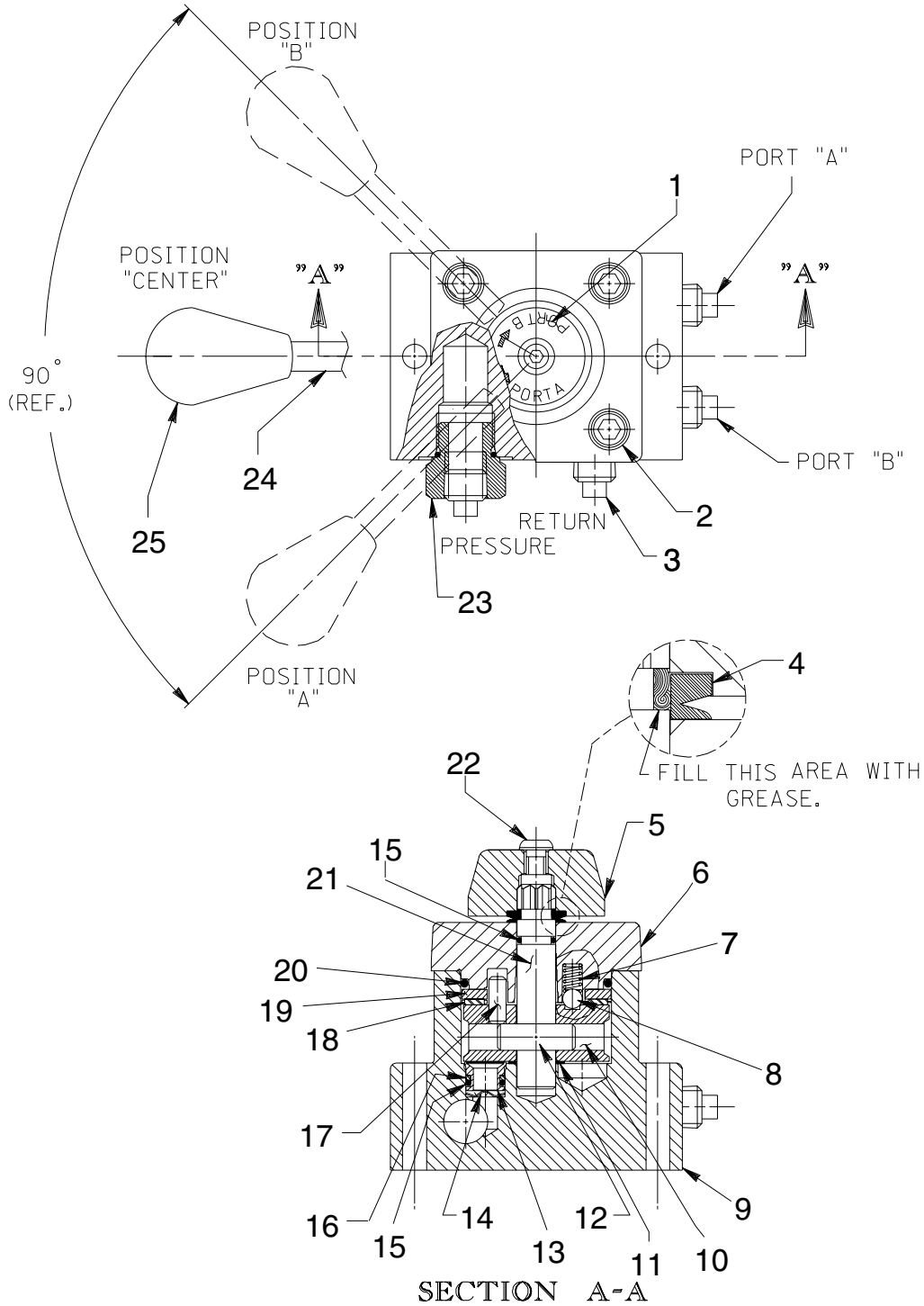


### 4-WAY, THREE POSITION MANUAL VALVE ASSEMBLY



# Parts List, Form No. 101227, Back sheet 1 of 1

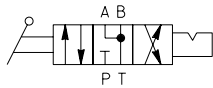
Item No.	Part No.	No. Req'd	Description
1	211936	1	Decal
2	11013	4	Soc. Hd. Cap Screw (5/16-18 X 1" Lg.; Torque to 300/320 in. lbs.)
3	10970	4	Sq. Male Drive Plug (1/4 NPTF)
4	*213674	1	V-ring
5	46057	1	Stem
6	61343	1	Valve Cap
7	15691	1	Compression Spring (1/4 O.D. X 5/8 Lg.)
8	10375	1	Ball (1/4 Dia.)
9	61290	1	Valve Body
10	420246	1	Rotor
11	214801	1	Spacer Washer
12	10496	1	Slotted Spring Pin (5/16 Dia. X 1" Lg.; Assemble centered in rotor.)
13	202480	3	Shear Seal
14	21975	3	Spring Washer (.490 X .345 X .080 thk.)

Item No.	Part No.	No. Req'd	Description
15	*10268	4	O-ring (1/2 X 3/8 X 1/16, -012; Nitrile)
	11439	4	O-ring (1/2 X 3/8 X 1/16, -012; Viton)
	17716	4	O-ring (1/2 X 3/8 X 1/16, -012; EPR)
16	*11863	3	Backup Washer (1/2 X 3/8 X 1/16, -012)
17	211915	1	Dowel Pin (7/32 Dia. X 5/8 Lg.)
18	11228	1	Thrust Bearing
19	11227-1	1	Bearing Race
20	*15892	1	O-ring (1.956 X 1.720 X .118, -924; Nitrile)
	19097	1	O-ring (1.956 X 1.720 X .118, -924; Viton)
	212887	1	O-ring (1.956 X 1.720 X .118, -924; EPR)
21	46048	1	Stem
22	15911	1	Hex Soc. Button Hd. Cap Screw (1/4-20 X 5/8 Lg.; Torque to 60/80 in. lbs. Note: Apply Loctite No. 222 or equiv. at assembly.)
23	213766	1	Straight Fitting
24	21639	1	Stud
25	211911	1	Plastic Knob

Part numbers marked with an asterisk (\*) are contained in Repair Kit No. 300451.

Note: Alternate materials listed for special valves factory equipped with viton or EPR seals.

## SPECIFICATIONS



HYD. SCHEMATIC

VALVE, REMOTE MOUNTED MANUAL DETENTED  
4-WAY, 3-POSITION FLOAT CENTER

RATED PRESSURE: 5,000 P.S.I.  
CASE PRESSURE: 500 P.S.I. MAX.  
RATED FLOW: 5 GPM REF.

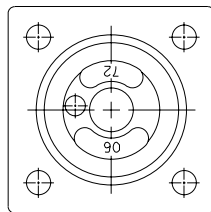
### FUNCTION:

"CENTER" POSITION:  
PRESSURE IS BLOCKED  
"A" & "B" PORTS TO TANK

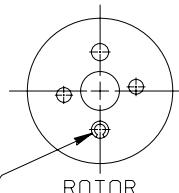
"A" POSITION:  
PRESSURE TO "A" PORT  
"B" PORT TO TANK

"B" POSITION:  
PRESSURE TO "B" PORT  
"A" PORT TO TANK

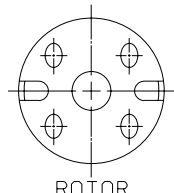
## INTERNAL ASSEMBLY ORIENTATION OF PARTS



END CAP  
BOTTOM VIEW

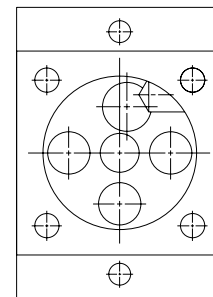


ROTOR  
TOP VIEW



ROTOR  
BOTTOM VIEW

ROLL PIN LOCATION  
(POSITION OPENING AS SHOWN)



VALVE BODY  
TOP VIEW

Refer to any operating instructions included with this product for detailed information about operation, testing, disassembly, reassembly, and preventive maintenance.

Items found in this parts list have been carefully tested and selected. **Therefore: Use only genuine Hytec replacement parts!**

Additional questions can be directed to our Technical Services Department.

Note: Shaded areas reflect last revision(s) made to this form.