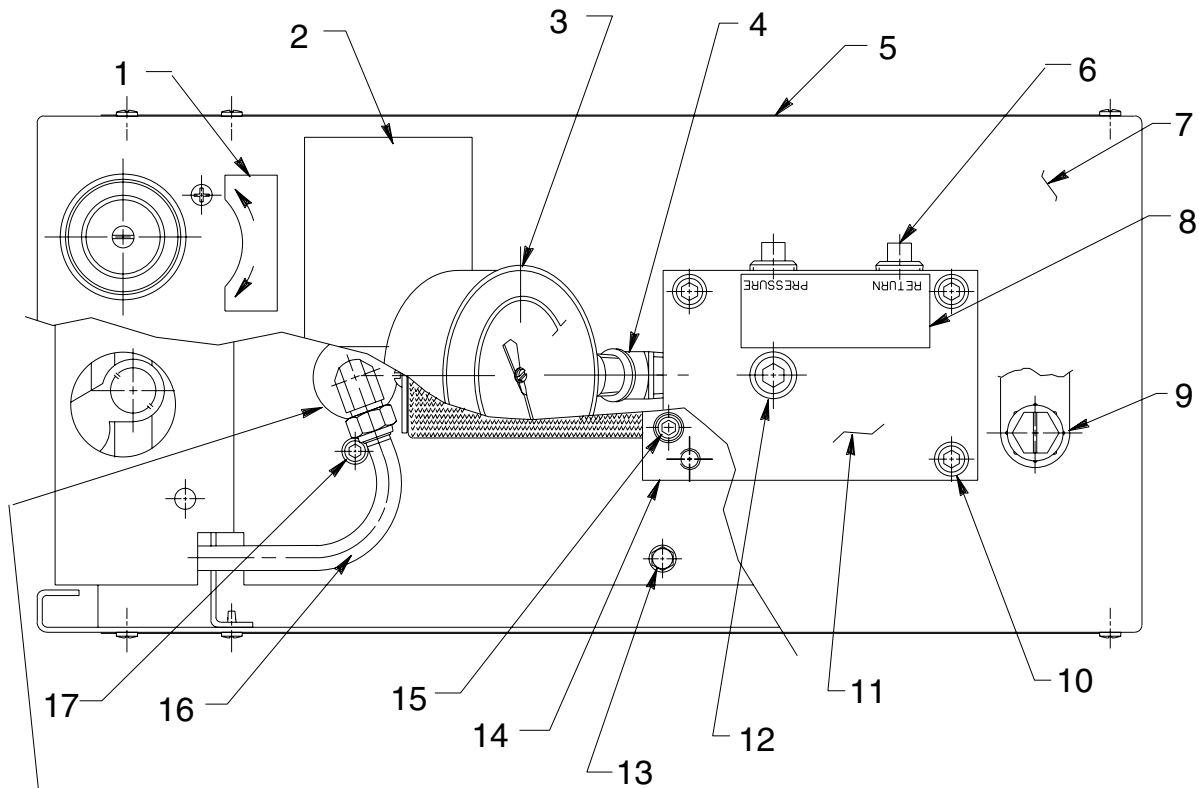


**MODEL D**  
**AIR HYDRAULIC PUMP**  
13:1 Pressure Ratio

**TOP VIEW**



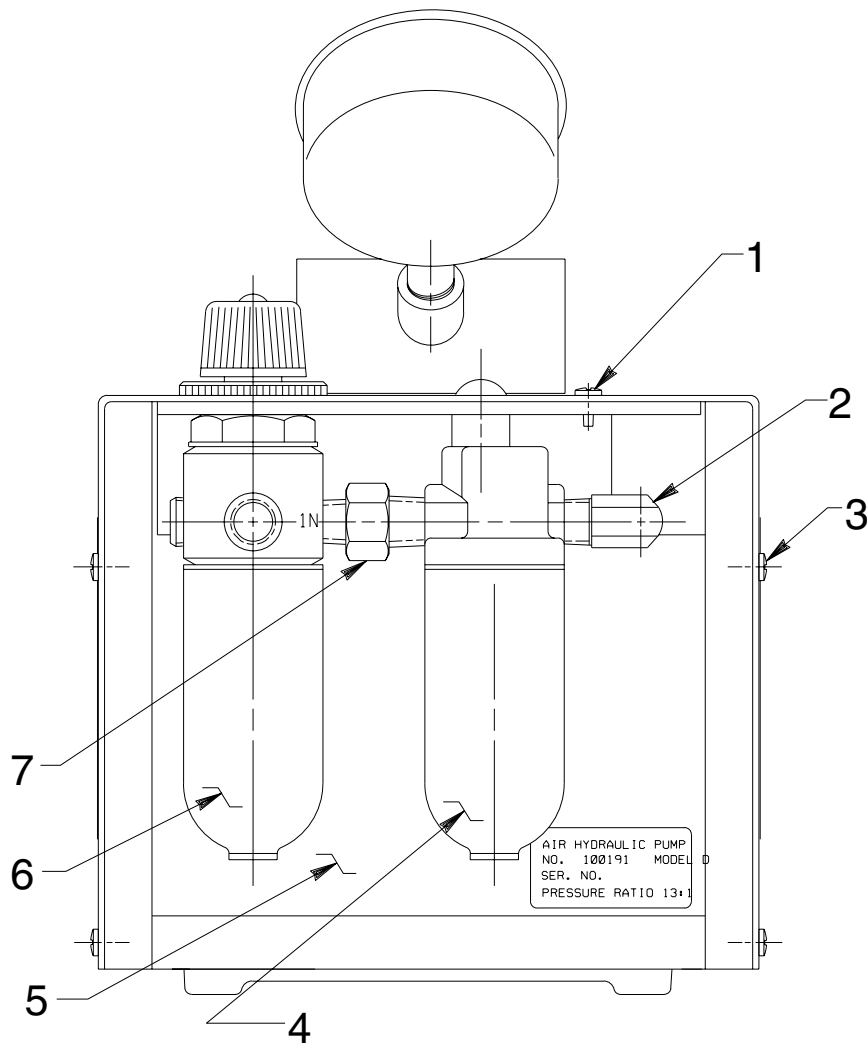
Apply Permatex between gasket and cover plate at assembly.

Item No.	Part No.	No. Req'd	Description
1	*202076	1	Decal
2	350492	1	Decal
3	420757	1	Pressure Gauge
4	10645	1	45° Street Elbow
5	309386	2	Trade Name Decal
6	10970	2	Pipe Plug (1/4 NPTF)
7	50886WH2	1	Top Cover
8	210995	1	Decal
9	*24132S	1	Cap and Gasket Assembly
10	10020	4	Cap Screw (1/4-20 UNC X 1-1/4" Lg.)

Item No.	Part No.	No. Req'd	Description
11	45837	1	Manifold
12	10479	1	Pipe Plug (1/4 NPTF)
13	211060	10	Screw (#9-15 X 1" Lg.; Torque to 25/30 in. lbs.)
14	50888	1	Manifold
15	11151	4	Cap Screw (10-24 UNC X 1-1/4" Lg.; Torque to 50/60 in. lbs.)
16	14726	.33 ft.	Tubing
17	11434	2	Cap Screw (10-24 UNC X 1/2 Lg.; Torque to 50/60 in. lbs.)

Part numbers marked with an asterisk (\*) are contained in Repair Kit No. 300639.

**END VIEW**



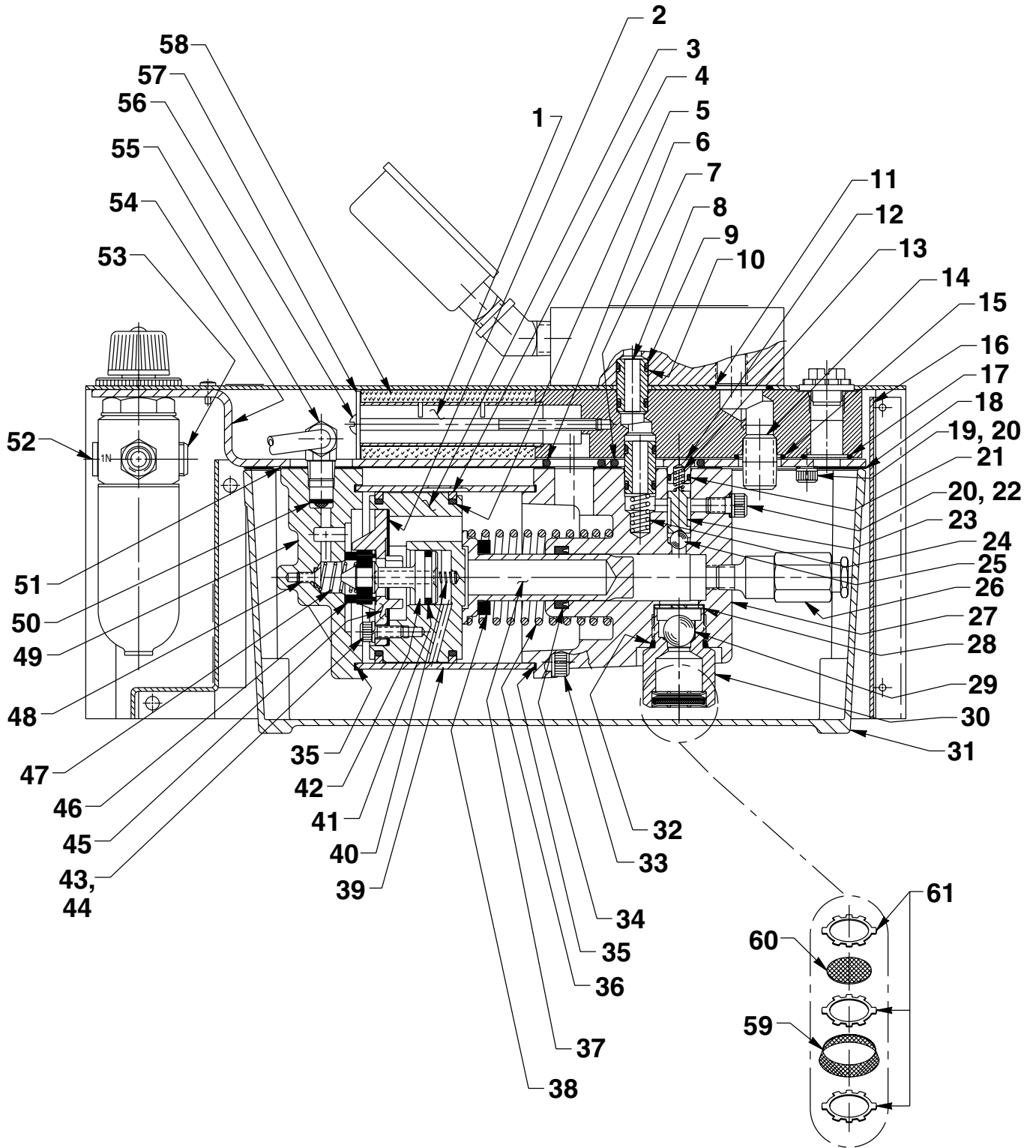
Item No.	Part No.	No. Req'd	Description
1	14126	3	Screw (10-24 X 3/8 Lg.)
2	15457	1	Elbow
3	14394	8	Screw (10-16 X 3/8 Lg.)
4	15009	1	Lubricator (Note: Fill with oil and set adjustment screw 1/8 turn counterclockwise from closed position. Replacement bowl only - #206264)
5	42358PU2	1	Back Panel
6	16452	1	Regulator-Filter (Replacement bowl only - #206265)
7	16449	1	Nipple

Refer to any operating instructions included with this product for detailed information about operation, testing, disassembly, reassembly, and preventive maintenance.

Items found in this parts list have been carefully tested and selected. **Therefore: Use only genuine Hytec replacement parts!**

Additional questions can be directed to our Technical Services Department.

### SIDE SECTION VIEW



# Parts List, Form No. 101321, Back sheet 2 of 2

Item No.	Part No.	No. Req'd	Description
1	28387	1	Muffler
2	*28239	1	Gasket
3	52390	1	Piston Body
4	*14265	2	Piston Ring
5	*251835	2	O-ring (2-1/2" X 2-5/16" X 3/32)
6	*251214	1	O-ring (1.002 X .720 X .141)
7	*251215	1	O-ring (1.494 X 1.212 X .141)
8	21094	2	Bushing
9	*10268	4	O-ring (1/2 X 3/8 X 1/16)
10	*11863	4	Backup Washer (1/2 X 3/8 X 1/16)
11	*10275	1	O-ring (15/16 X 3/4 X 3/32)
12	36497	1	Check Valve Retainer
13	*10445	1	Compression Spring (5/32 O.D. X 3/4 Lg.)
14	15024	1	Close Nipple
15	*10304	1	O-ring (1" X 7/8 X 1/16)
16	42357PU2	1	Front Panel
17	*12549	1	O-ring (13/16 X 11/16 X 1/16)
18	*33853	1	Reservoir Gasket
19	10807	1	Cap Screw (1/4-20 UNC X 1/2 Lg.)
20	*10442	2	Washer (3/8 X 1/4 X 1/32)
21	*12522	1	O-ring (3/8 X 1/4 X 1/16)
22	10002	1	Cap Screw (1/4-20 UNC X 3/8 Lg.; Torque to 90/110 in. lbs.)
23	202568	1	Ball Guide
24	16448	1	Compression Spring (5/16 O.D. X 13/16 Lg.)
25	*10423	1	Steel Ball (9/32 dia.)
26	21278-50	1	Relief Valve (Set at 5,100/5,700 PSI)
27	58134	1	Pump Body
28	202347	1	Ball Stop
29	*10379	1	Steel Ball (1/2 Dia.; Seat at assembly)
30	350383	1	Filter Adapter (Torque to 40/50 ft. lbs.)
31	61243	1	Reservoir
32	*10653	1	O-ring (.949 X .755 X .097)
33	17428	4	Cap Screw (1/4-20 UNC X 3-1/2" Lg.; Torque to 85/95 in. lbs. oiled. Note: Cross torque in increments of 30 in. lbs.)
34	*16585	1	U-cup
35	*17429	2	Backup Washer

Item No.	Part No.	No. Req'd	Description
36	*16584	1	Compression Spring (2-15/16" X 2-3/4" X .045)
37	305791	1	Piston (1-5/8" O.D. X 4-1/2" Lg.)
38	*202566	1	Bumper
39	37434	1	Air Cylinder (Note: Locate groove on upper half [top] of pump with chamfered tube end towards rear head as shown.)
40	*12692	1	Compression Spring (3/16 O.D. X 1-11/16" Lg.)
41	*211052	1	O-ring (.900 X .706 X .097)
42	305475	1	Exhaust Valve Stem
43	10241	3	Lockwasher (For #10 bolt)
44	211054	3	Screw (#10-24 X 1/2 Lg.; Torque to 50/55 in. lbs.)
45	33822	1	Piston End Plate
46	*28183	1	Piston Poppet
47	*205679	1	Compression Spring (.485 O.D. X .915 Lg.)
48	*205674	1	Screw (8-32 UNC X 3/8 Lg.; Torque to 12/18 in. lbs.)
49	37468	1	Rear Head
50	*216296	1	Filter Disc
51	*34283	1	Gasket
52	13270	1	Plastic Cap
53	10479	1	Pipe Plug (1/4 NPTF)
54	50889WH2	1	Cover Plate
55	15457	1	Elbow
56	16453	1	Screw (#10-24 UNC X 4" Lg.; Apply Loctite 277 or equivalent to external threads.)
57	16450	1	Washer (For 1/4 Bolt)
58	*29992	1	Foam Tube
59	*214578	1	Filter
60	214595	1	Sintered Filter Screen
61	*214586	2	Retaining Ring (Internal)

Part numbers marked with an asterisk (\*) are contained in Repair Kit No. 300639.

Note: Shaded areas reflect last revision(s) made to this form.