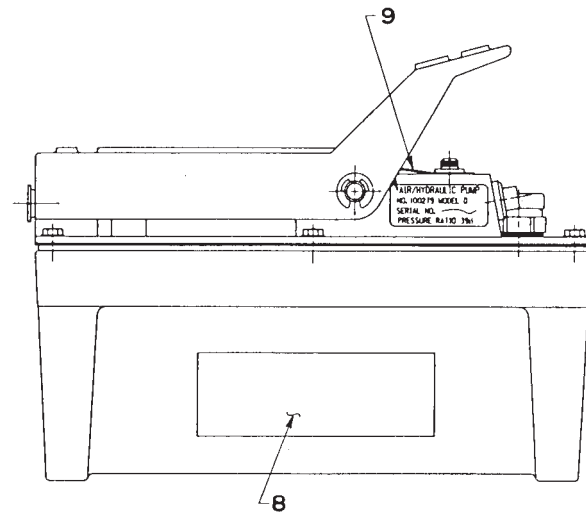
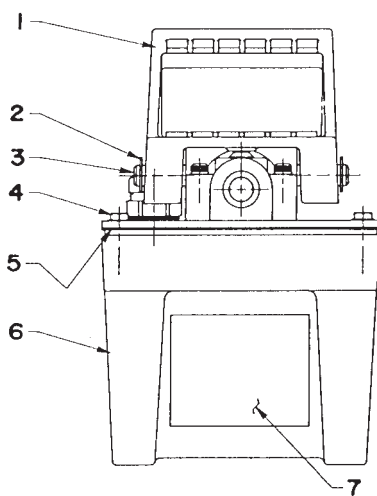
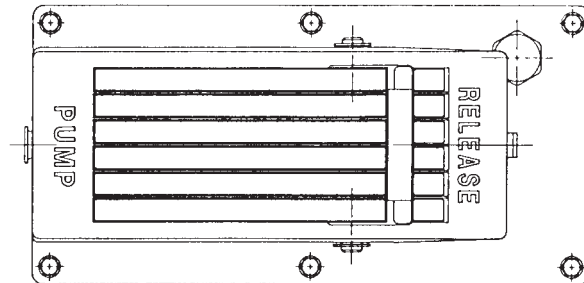
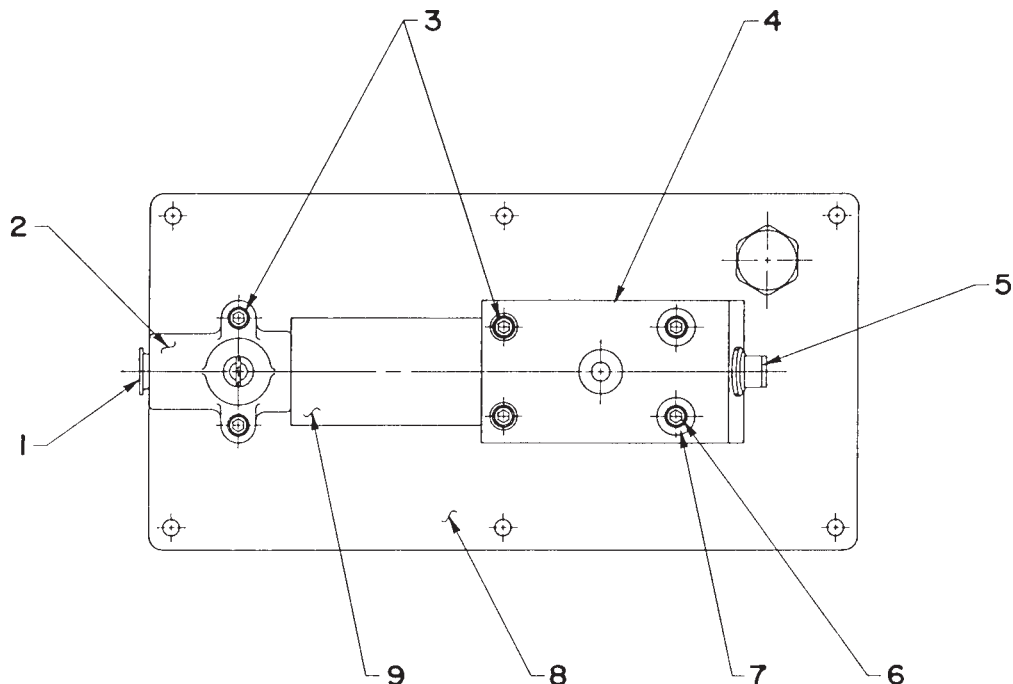


MODEL E
FOOT/HAND OPERATED
AIR HYDRAULIC PUMP
Max. Capacity: 10,000 PSI

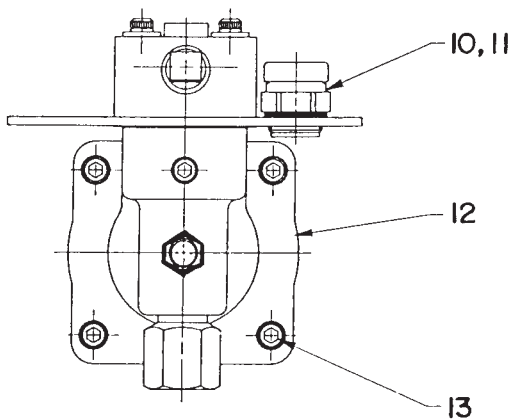


Item No.	Part No.	No. Req'd	Description
1	41322	1	Foot Pedal
2	11032	2	Retaining Ring
3	28386	1	Pin
4	14456	6	Self-tapping Screw (Torque to 25/35 in. lbs. oiled)
5	33853	1	Reservoir Gasket
6	41300WH2	1	Reservoir
7	305494	1	Important Decal
8	211533	1	Trade Name Decal
9	302466	1	Spring Clip
PARTS INCLUDED BUT NOT SHOWN			
	10676	1	Reducer Bushing
	100909	1	Quick Coupler
	303666	1	Hydraulic Hose

TOP VIEW

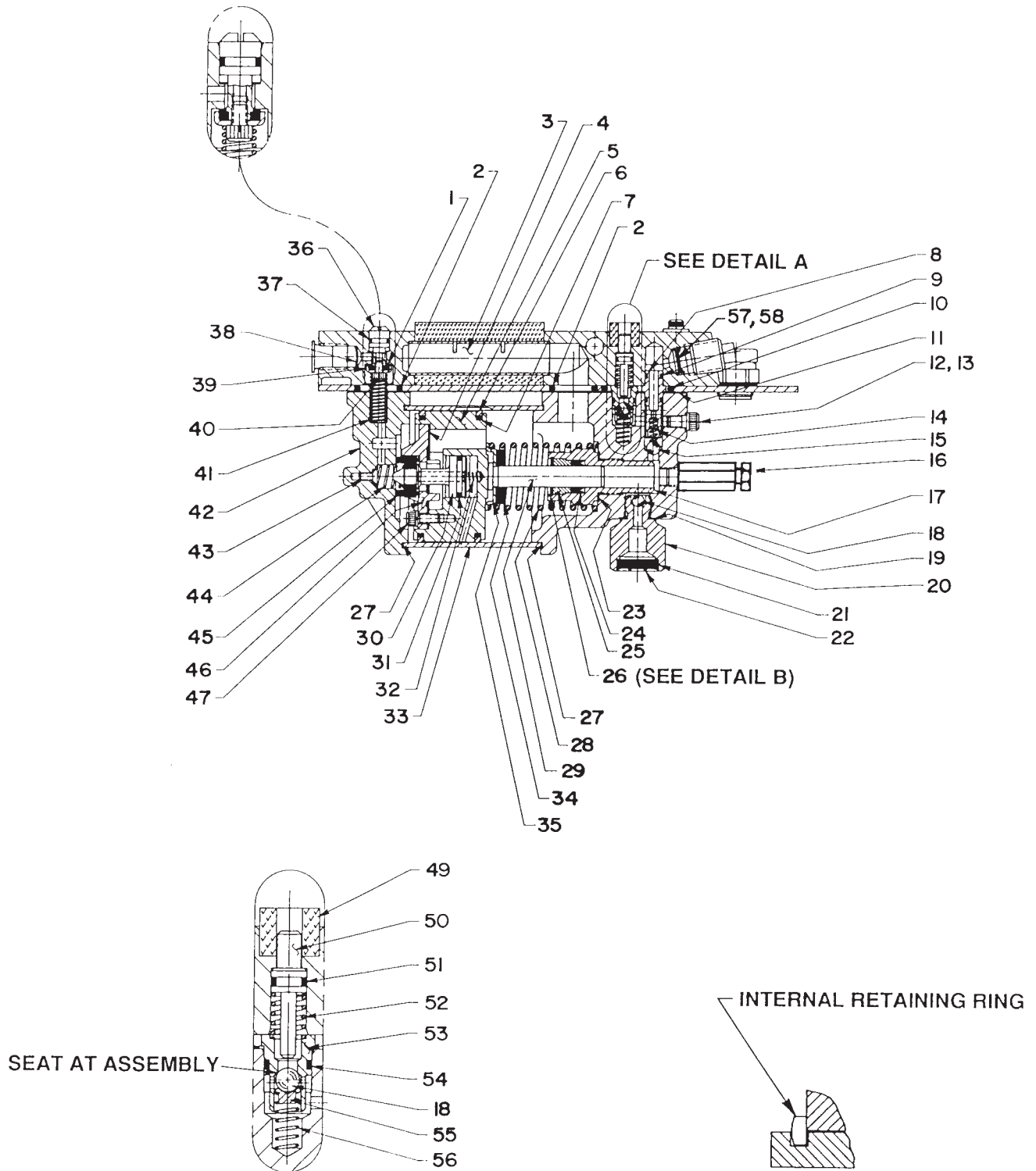


END VIEW



Item No.	Part No.	No. Req'd	Description
1	14794	1	Plastic Plug
2	37199	1	Intake Air Valve Body
3	11151	4	Soc. Hd. Cap Screw (#10-24 X 1-1/4 Lg.; Torque to 50/60 in. lbs.)
4	52381	1	Release Valve Body
5	211061	1	Plastic Plug (3/8 NPTF)
6	11435	2	Soc. Hd. Cap Screw (#10-24 X 1 1/2 Lg.; Torque to 50/60 in. lbs.)
7	11089	2	Washer
8	45840BK2	1	Cover Plate
9	29992	1	Foam Tube
10	20937S	1	Filler Cap (Includes #200415 filler cap gasket)
11	200415	1	Rubber Gasket
12	50494	1	Pump Body
13	17428	4	Soc. Hd. Cap Screw (1/4-20 X 4" Lg.; Torque to 85/95 in. lbs oiled. NOTE: Cross torque in increments of 30 in. lbs.)

BASIC PUMP ASSEMBLY



Parts List, Form No. 101493, Back sheet 2 of 2

Item No.	Part No.	No. Req'd	Description	Item No.	Part No.	No. Req'd	Description
1	*28182	1	Piston Poppet	31	*211052	1	O-ring (.900 X .706 x .097)
2	*251214	2	O-ring (1.002 x .720 x .141)	32	*12692	1	Compression Spring (3/16 O.D. X 1-11/16 Lg.)
3	28387	1	Muffler	33	37434	1	Air Cylinder (Locate groove on upper half of pump with chamfered tube end towards rear head as shown.)
4	*28239	1	Gasket	34	202613	1	Rubber Bumper
5	52390	1	Piston Body	35	211082	1	Spring Guide
6	*14265	2	Piston Seal	36	33841	1	Actuator Button
7	*11229	2	O-ring (2-3/8 X 2-3/16 X 3/32, -139)	37	*10267	1	O-ring (7/16 X 5/16 X 1/16, -011)
8	34378	1	Check Valve Body	38	*216296	1	Filter Disc
9	*211053	2	O-ring (3/8 X 1/4 X 1/16, -010)	39	28198	1	Guide Seal
10	*251215	1	O-ring (1.494 x 1.212 x .141)	40	13936	1	Soc. Hd. Cap Screw (#3-32 X 1/4 Lg.)
11	*34283	1	Gasket	41	12691	1	Compression Spring (3/8 O.D. X 1-1/2 Lg.)
12	*10442	1	Copper Washer (3/8 X 1/4 X 1/32)	42	51480	1	Rear Head
13	10002	1	Soc. Hd. Cap Screw (1/4-20 X 3/8 Lg.; Torque to 90/110 in. lbs.)	43	*205674	1	Flat Hd. Screw (#8-32 X 3/8 Lg.; Torque to 12/18 in. lbs.)
14	*10445	1	Compression Spring (5/32 O.D. X 3/4 Lg.)	44	*205679	1	Compression Spring (.485 O.D. X .915 Lg.)
15	*10423	1	Steel Ball (9/32 dia.)	45	*28183	1	Piston Poppet
16	21278-50	1	Relief Valve (Set at 5,100/5,700 PSI)	46	33822	1	End Piston Plate
17	33959	1	Piston Cylinder (Torque to 90/100 ft. lbs. oiled)	47	10241	3	Lockwasher (For #10 Bolt)
18	*10375	2	Steel Ball (1/4 dia.)	48	211054	3	Soc. Hd. Cap Screw (#10-24 X 1/2 Lg.; Torque to 50/55 in. lbs.)
19	*10261	1	Copper Washer (3/4 X 19/32 X 1/32)	49	*206504	1	Foam Tube
20	308893	1	Filter Adapter (Torque to 40/50 ft. lbs. oiled)	50	29365	1	Release Valve
21	214578	1	Filter	51	*211053	1	O-ring (3/8 X 1/4 X 1/16; -010)
22	214586	1	Retaining Ring	52	13944	1	Compression spring (3/8 O.D. X 1/2 Lg.)
23	*10263	1	Copper Washer (1" X .765 X 1/32)	53	34377	1	Poppet Retainer
24	*14121	1	U-cup	54	*15279	1	O-ring (1/2 X 3/8 X 1/16, -012)
25	202624	1	Retainer	55	25685	1	Ball Retainer
26	11034	1	Retaining Ring (Note: Install with sharp edge toward the retained part. See Detail B.)	56	14624	1	Compression Spring
27	*17429	2	Backup Ring (2-15/16 x 2-3/4 X .045; -148)	57	*250638	1	Filter Screen
28	*13938	1	Compression spring (1.452 O.D. X 4-7/16 Lg.)	58	*11088	2	Retaining Ring
29	28400	1	Piston				
30	305475	1	Exhaust Valve stem				

Part numbers marked with an asterisk (*) are contained in Repair Kit No. 300433.

Refer to any operating instructions included with this product for detailed information about operation, testing, disassembly, reassembly, and preventive maintenance.

Items found in this parts list have been carefully tested and selected. **Therefore: Use only genuine Hytec replacement parts!**

Additional questions can be directed to our Technical Services Department.