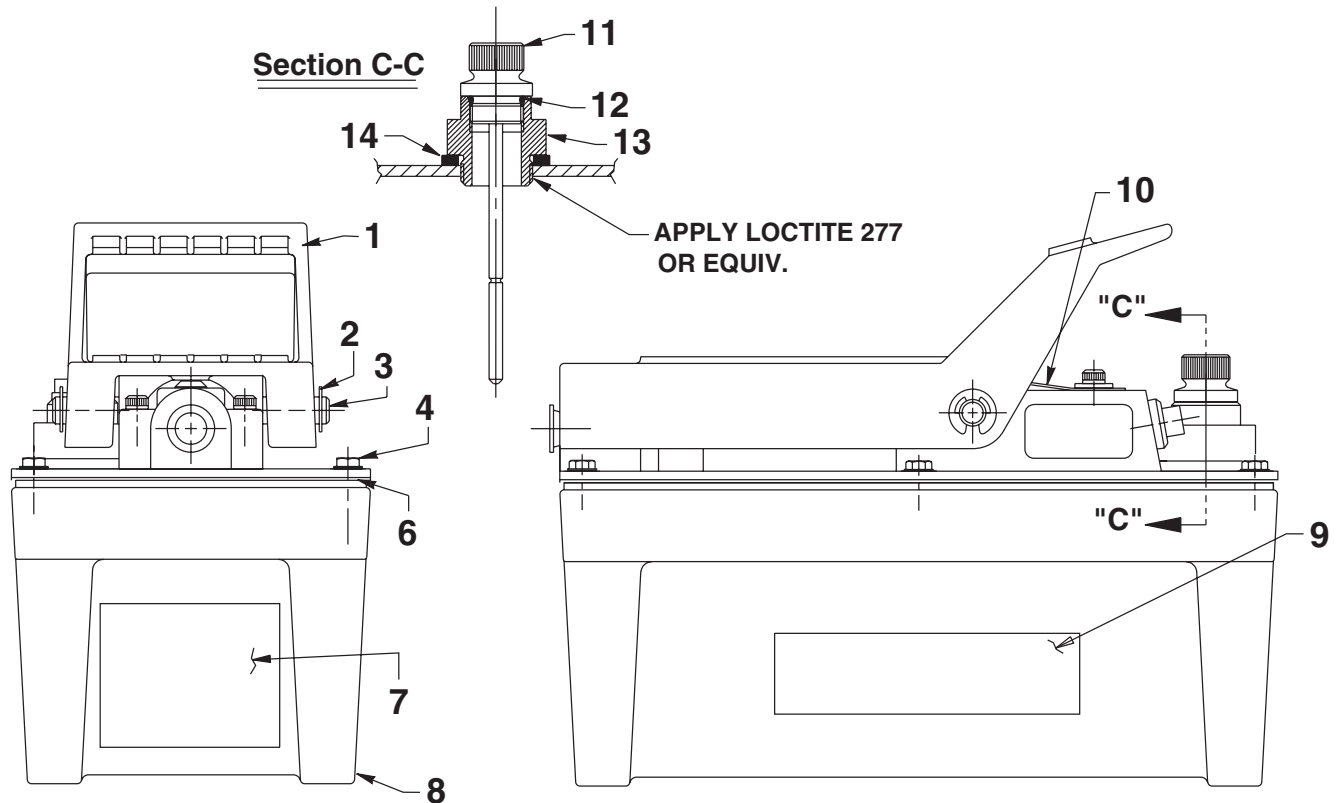


**MODEL F
AIR HYDRAULIC PUMP**
Max. Capacity 4,800 PSI



APPLY LOCTITE 277
OR EQUIV.

Item No.	Part No.	No. Req'd	Description
1	41322	1	Foot Pedal
2	11032	2	Retaining Ring
3	28386	1	Pin
4	215952	6	Self-tapping Screw (Torque to 25/35 in. lbs.)
6	*33853	1	Reservoir Gasket
7	305494	1	Important Decal
8	41300WH2	1	Reservoir
9	211533	2	Trade Name Decal
10	302466	1	Spring Clip

Item No.	Part No.	No. Req'd	Description
11	252076	1	Dipstick Assembly
12	*10273	1	O-ring (13/16 X 5/8 X 3/32)
13	351214	1	Filler Plug Adapter
14	252041	1	Sealing Washer

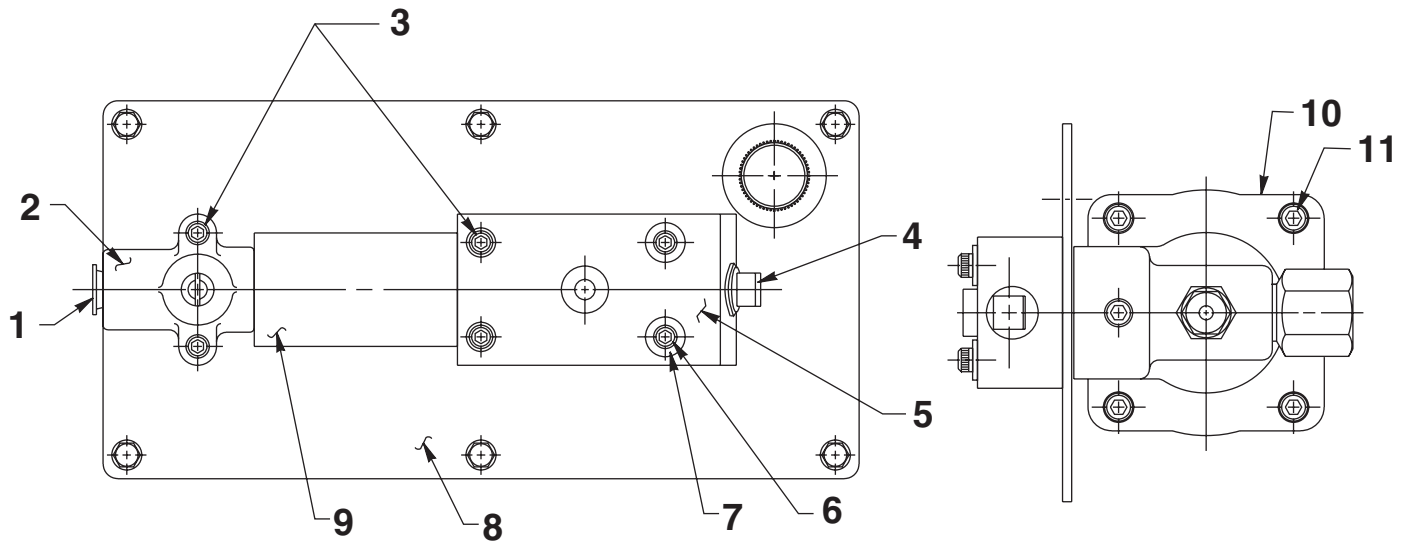
PARTS INCLUDED BUT NOT SHOWN

10676	1	Straight Fitting
251778	1	Quick Coupler
303666	1	Hydraulic Hose

Part numbers marked with an asterisk (*) are contained in Repair Kit No. 300891.

Note: Removed #251677 (Item #5) Washers.

SIDE & END VIEWS



Item No.	Part No.	No. Req'd	Description
1	14794	1	Plastic Plug
2	37199	1	Air Intake Valve Body
3	11151	4	Soc. Hd. Cap Screw (#10-24 X 1-1/4" Lg.; Torque to 50/60 in. lbs.)
4	11127	1	Pressure Plug
5	58563	1	Release Valve Body
6	11435	2	Soc. Hd. Cap Screw (#10-24 X 1-1/2" Lg.; Torque to 50/60 in. lbs.)
7	11089	2	Washer (#10 bolt)
8	421236BK2	1	Cover Plate
9	*29992	1	Foam Tube
10	64767	1	Pump Body
11	17428	4	Soc. Hd. Cap Screw (1/4-20 X 4" Lg.; Torque to 85/95 in. lbs oiled. NOTE: Cross torque in increments of 30 in. lbs.)

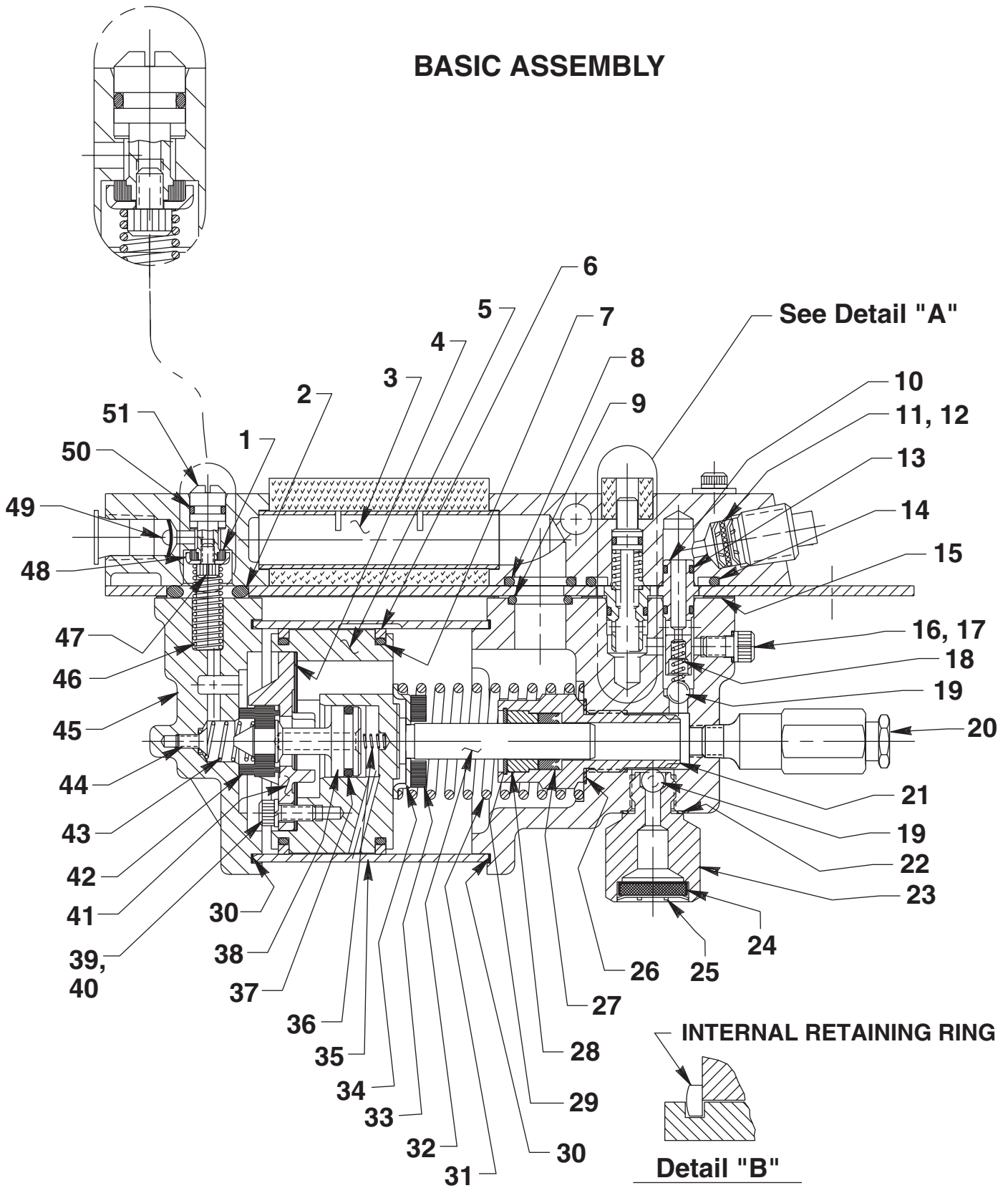
Part numbers marked with an asterisk (*) are contained in Repair Kit No. 300891.

Refer to any operating instructions included with this product for detailed information about operation, testing, disassembly, reassembly, and preventive maintenance.

Items found in this parts list have been carefully tested and selected. **Therefore: Use only genuine Hytec replacement parts!**

Additional questions can be directed to our Technical Services Department.

BASIC ASSEMBLY

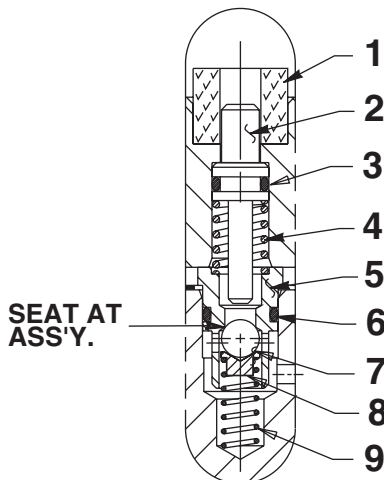


Parts List, Form No. 101672, Back sheet 2 of 2

Item No.	Part No.	No. Req'd	Description
1	28182	1	Piston Poppet
2	*251717	1	O-ring (1" X 5/8 X 3/16)
3	28387	1	Muffler
4	*28239	1	Gasket
5	52390	1	Piston Body
6	*14265	2	Piston Seal
7	*251835	2	O-ring (2-1/2" X 2-5/16" X 3/32)
8	*10276	1	O-ring (1" X 3/4 X 1/8)
9	*10272	1	O-ring (3/4 X 9/16 X 3/32)
10	34378	1	Check Valve Body
11	*250638	1	Oil Filter Disc
12	*11088	2	Retaining Ring
13	*12522	2	O-ring (3/8 X 1/4 X 1/16; Urethane)
14	*11841	1	O-ring (1-5/8" X 1-3/8" X 1/8)
15	351021	1	Gasket
16	*10442	1	Copper Washer (3/8 X 1/4 X 1/32)
17	10002	1	Soc. Hd. Cap Screw (1/4-20 UNC X 3/8 Lg.; Torque to 90/110 in. lbs.)
18	*10445	1	Compression Spring (5/32 O.D. X 3/4 Lg.)
19	*10423	2	Steel Ball (9/32 dia.)
20	21278-48	1	Relief Valve (Set at 4,900/5,300 PSI)
21	33959	1	Piston Cylinder (Torque to 90/100 ft. lbs. oiled)
22	*10261	1	Copper Washer (3/4 X 19/32 X 1/32)
23	48010	1	Filter Adapter (Torque to 40/50 ft. lbs. oiled)
24	214578	1	Filter
25	214586	2	Internal Retaining Ring
26	*10263	1	Copper Washer (1" X .765 X 1/32)
27	*14121	1	U-cup
28	202624	1	Retainer
29	*11034	1	Retaining Ring (Note: Install with sharp edge toward the retained part. See Detail B.)

Item No.	Part No.	No. Req'd	Description
30	*17429	2	Backup Ring (2-15/16" X 2-3/4" X .045)
31	*13938	1	Compression Spring (1.452 O.D. X 4-7/16" Lg.)
32	28400	1	Piston
33	202613	1	Rubber Bumper
34	211082	1	Spring Guide
35	351122	1	Air Cylinder (Locate groove on upper half (top) of pump with chamfered tube end towards rear head as shown.)
36	*12692	1	Compression Spring (3/16 O.D. X 1-11/16" Lg.)
37	*211052	1	O-ring (.900 X .706 X .097)
38	305475	1	Exhaust Valve stem
39	*10241	3	Lockwasher (For #10 Bolt)
40	211054	3	Soc. Hd. Cap Screw (#10-24 X 1/2 Lg.; Torque to 50/55 in. lbs.)
41	33822	1	End Piston Plate
42	*28183	1	Piston Poppet
43	*205679	1	Compression Spring (.485 O.D. X .915 Lg.)
44	*205674	1	Flat Hd. Screw (#8-32 X 3/8 Lg.; Torque to 12/18 in. lbs.)
45	51480	1	Rear Head
46	12691	1	Compression Spring (3/8 O.D. X 1-1/2" Lg.)
47	13936	1	Soc. Hd. Cap Screw (8-32 UNC X 1/4 Lg.)
48	28198	1	Guide Seal
49	*216296	1	Filter Disc
50	*10267	1	O-ring (7/16 X 5/16 X 1/16)
51	33841	1	Actuator Button

Part numbers marked with an asterisk (*) are contained in Repair Kit No. 300891.



Detail "A"

Item No.	Part No.	No. Req'd	Description
1	*206504	1	Foam Tube
2	29365	1	Release Valve Button
3	*10266	1	O-ring (3/8 X 1/4 X 1/16)
4	*13944	1	Spring (3/8 O.D. X 1/2 Lg.)
5	34377	1	Poppet Retainer
6	*13943	1	O-ring (1/2 X 3/8 X 1/16)
7	*10375	1	Steel Ball (1/4 Dia.)
8	25685	1	Ball Retainer
9	14624	1	Compression Spring (1/4 O.D. X 3/4 Lg.)

Part numbers marked with an asterisk (*) are contained in Repair Kit No. 300891.

Note: Shaded areas reflect last revision(s) made to this form.