



SPX Corporation  
5885 11th Street  
Rockford, IL 61109-3699 USA

Tech. Services: (800) 477-8326  
Fax: (800) 765-8326  
Order Entry: (800) 541-1418  
Fax: (800) 288-7031

Internet Address:  
<http://www.hytec.com>

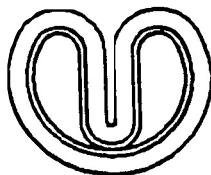
Form No. 101682

Parts List for:

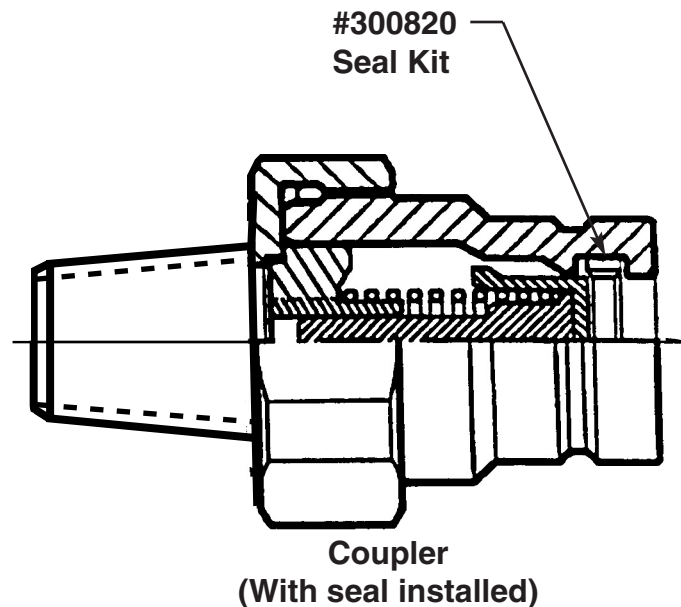
100907  
100909

## HYDRAULIC COUPLER

Maximum Operating Pressure: 5,000 PSI



Seal  
(Folded before installation)



**WARNING:** To help prevent personal injury,

- Do not disassemble this coupler! All other parts within this assembly are not serviceable!
- Do not use o-ring seals or backup rings in place of, or in addition to, the #300820 seal.

Sheet No. 1 of 1

Issue Date: 3-10-96