



SPX Corporation
5885 11th Street
Rockford, IL 61109-3699 USA

Tech. Services: (800) 477-8326
Fax: (800) 765-8326
Order Entry: (800) 541-1418
Fax: (800) 288-7031

Internet Address:
<http://www.hytec.com>

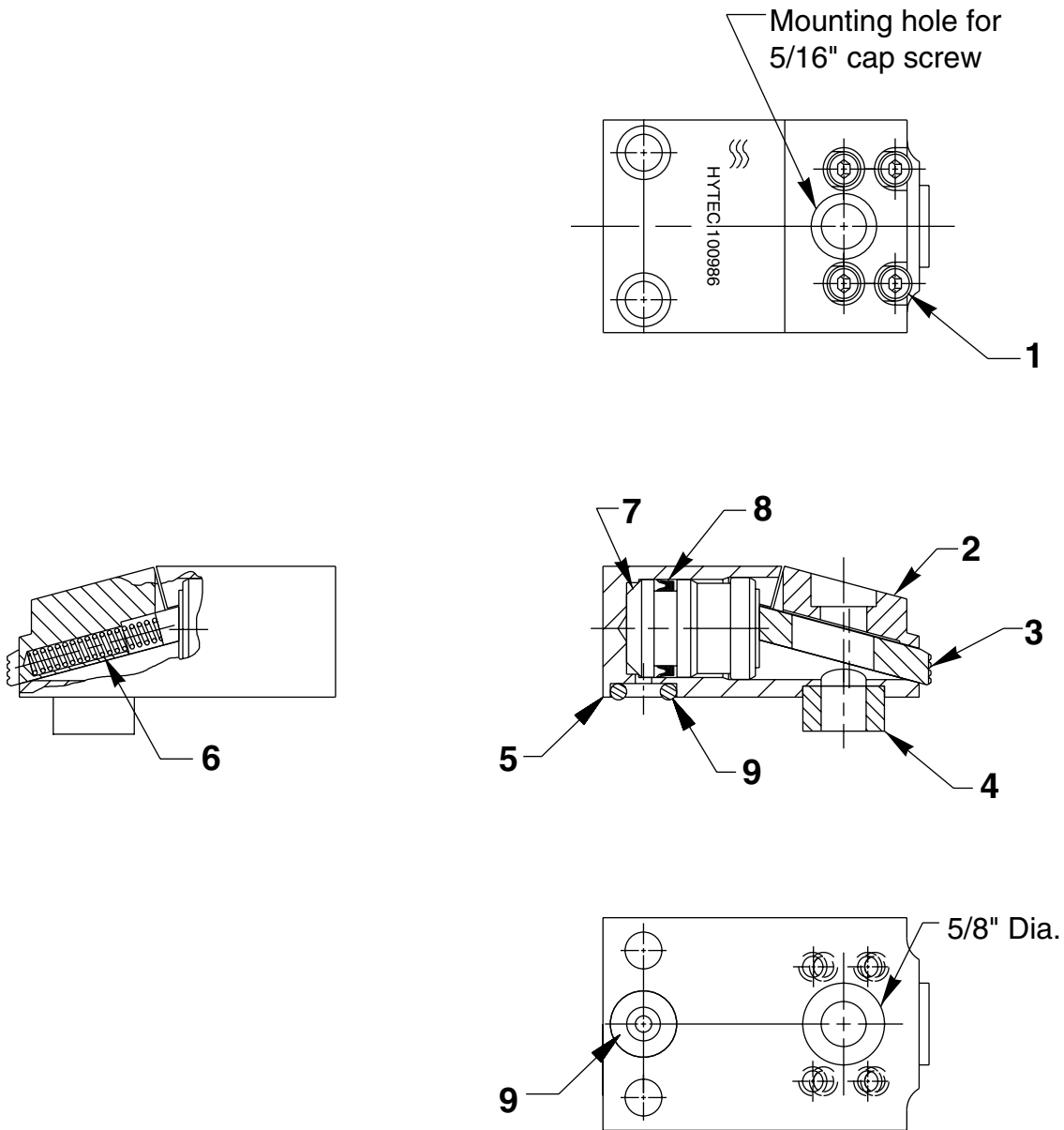
Form No. 101834

Parts List for:

100986

EDGE CLAMP

Max. Capacity: 2,000 Lbs. At 5,000 PSI Max. Operating Pressure



Sheet No. 1 of 1

Rev. Date: 29 Apr. 1997

Item No.	Part No.	No. Req'd	Description
1	15122	4	Soc. Hd. Cap Screw (#10-32 UNF X 5/8 Lg.; Torque to 60/70 in. lbs.)
2	350551	1	Clamping Slide Cap
3	350506	1	Clamping Slide
4	250886	1	Bushing
5	421530	1	Edge Clamp Body
6	250882	2	Compression Spring (3/16 O.D. x 1-3/32 Lg.)
7	350503	1	Piston
8	216328	1	U-cup
9	252395	1	O-ring

Refer to any operating instructions included with this product for detailed information about operation, testing, disassembly, assembly, and preventive maintenance.

Items found in this parts list have been carefully tested and selected. **Therefore: Use only genuine Hytec replacement parts!**

Additional questions can be directed to our Technical Services Department.