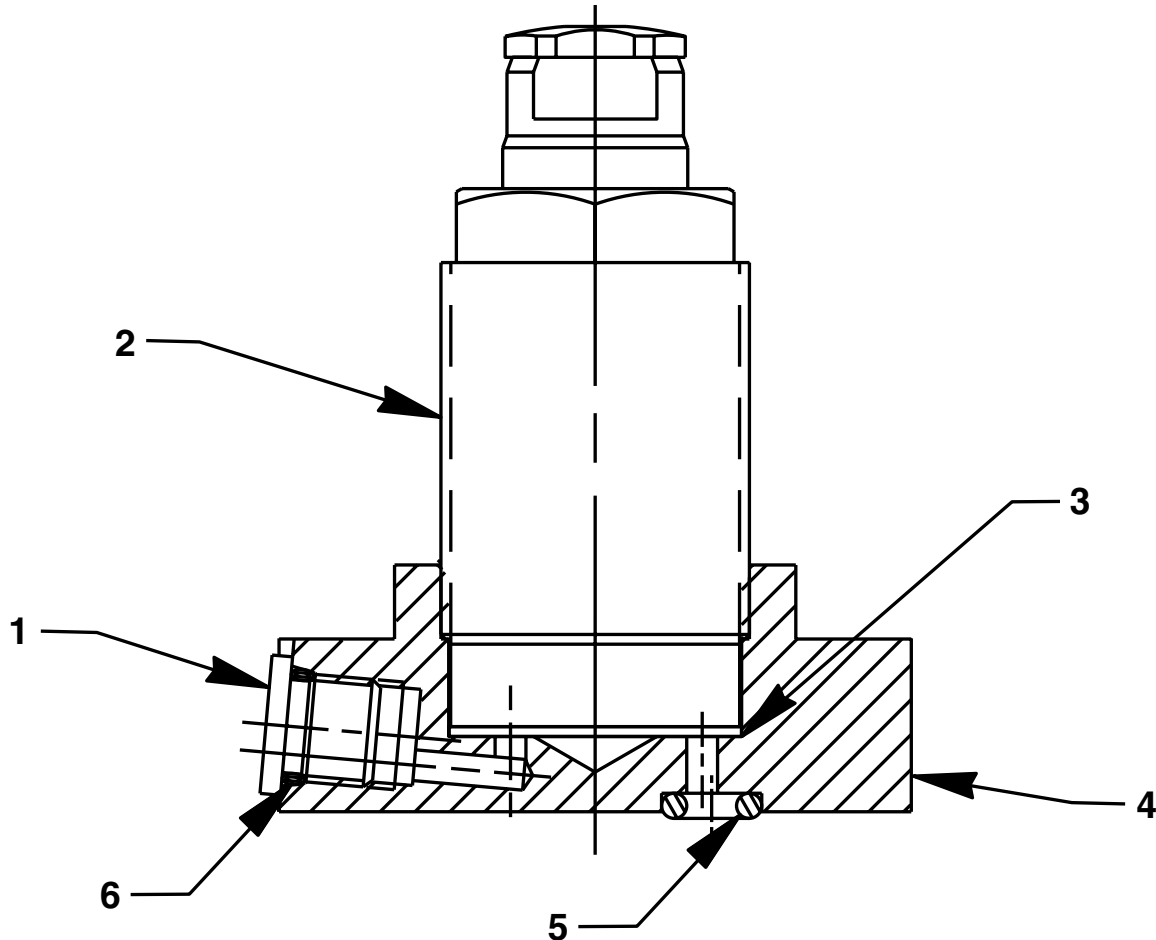


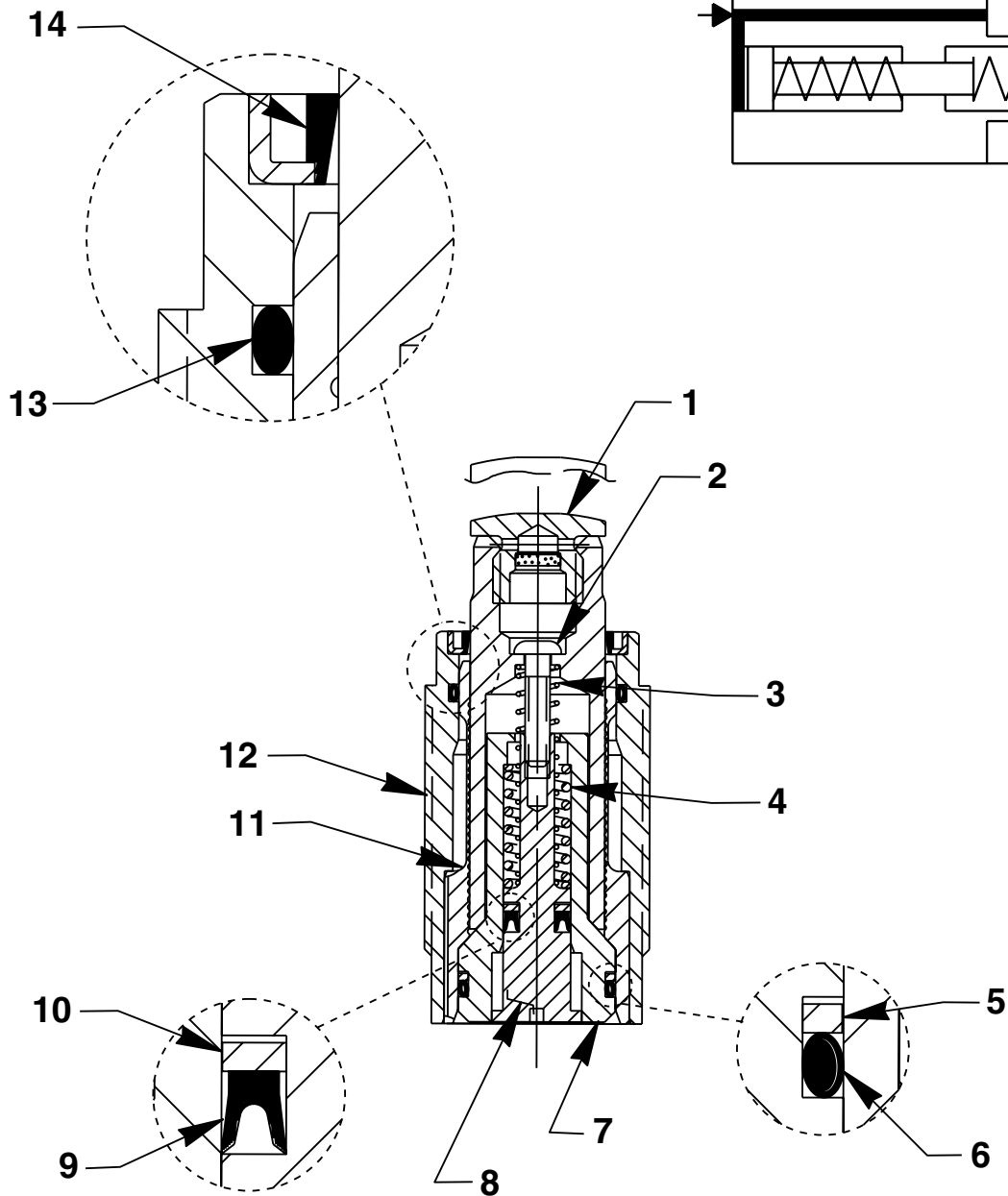
**FLUID ADVANCE
WORK SUPPORT
1,300 LBS. WITH BASE**

| Item No. | Part No. | No. Req'd | Description |
|----------|----------|-----------|---|
| 1 | 250883 | 1 | Fitting, Plug (1/4 Tube) |
| 2 | 350793 | 1 | Support, Fluid Work 1100 Lb. (Torque to 85/95 ft. lbs.) |
| 3 | *251248 | 1 | Washer, Backup (1.19 x 1.00) |
| 4 | 421727 | 1 | Base, Work Support |
| 5 | *251767 | 1 | O-ring (.41 x .22 Nitrile) |
| 6 | *11496 | 1 | O-ring (.49 x .35 Nitrile) |

Part numbers marked with an asterisk (*) are contained in Repair Kit No. 300654.

WORK SUPPORT ASSEMBLY

HYDRAULIC SCHEMATIC



| Item No. | Part No. | No. Req'd | Description |
|----------|----------|-----------|---|
| 1 | 251397 | 1 | Assembly, Vented Button |
| 2 | 251242-1 | 1 | Screw, Button Hd (6-32 x 5/8; Apply loctite 271 or equiv. adjust sciew until piston is flush with adapter.) |
| 3 | 251243 | 1 | Spring (.24 OD x 2.79 x .02 WS) |
| 4 | 251244 | 1 | Spring (.37 OD x .98 x .05 WS) |
| 5 | *251247 | 1 | Washer, Backup (.88 x .75) |
| 6 | *251246 | 1 | O-ring (.88 x .75 Nitrile) |
| 7 | 350729 | 1 | Adapter, Piston |
| 8 | 350730 | 1 | Piston |
| 9 | *251252 | 1 | U-cup (.38 x .19 x .09L) |
| 10 | *251245 | 1 | Washer, Backup (.38 x .19) |
| 11 | 420706 | 1 | Support, Plunger & Sleeve |
| 12 | 420705 | 1 | Body, Work Support |
| 13 | *12900 | 1 | O-ring (1.00 x .87 Urethane) |
| 14 | *251254 | 1 | Wiper, Rod (1.00 x .75 Nitrile) |

Part numbers marked with an asterisk (*) are contained in Repair Kit No. 300654.