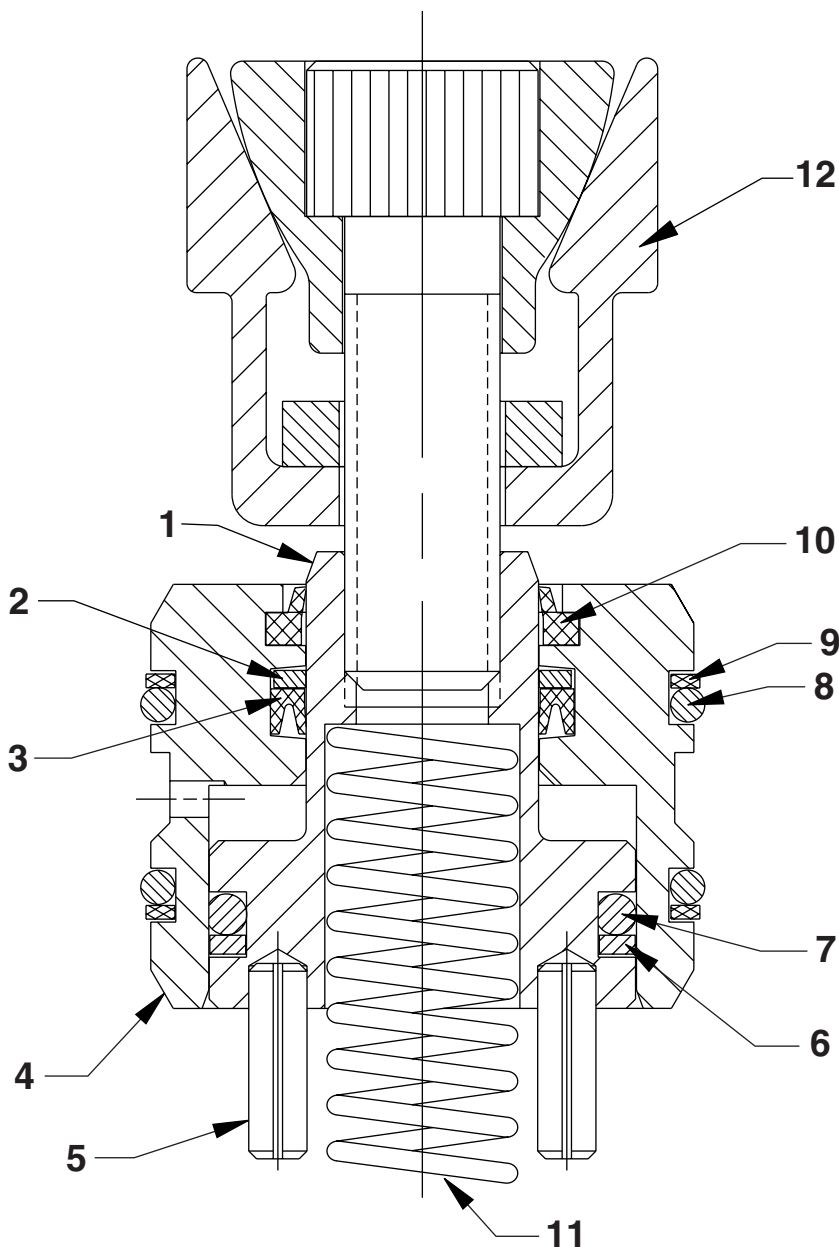


Parts List for:

110059	110063	110066
110060	110064	110067
110061	110065	110068
110062		

UNIFORCE[®] HYDRAULIC CLAMP

Max. Capacity: 5,000 PSI (110059, 110061, 110063, 110065, 110067)
2,500 PSI (110060, 110062, 110064, 110066, 110068)
U.S. Patent No. 6,019,357



Note: Shaded areas reflect last revision(s) made to this form.

Parts List, Form No. 101952, Back sheet 1 of 1

Item No.	1	2	3	4	5	6	7	8	9	10	11	12	Repair Kit	
Description	Piston Rod	Backup Washer	U-cup	Cylinder Body	Roll Pin	Backup Washer	O-ring	O-ring	Backup Washer	Rod Wiper	Spring	Mitee Bite Clamp		
Qty. Req'd	1	1	1	1	2	1	1	2	2	1	1	1		
Part No.	110059	421649	253267*	252470*	421648	—	252515*	252505*	12549*	16202*	252211*	253130	500184	300991
	110060	421665	208721*	216328*	421670	—	252805*	10274*	16684*	16817*	216289*	253133	500184	300992
	110061	421655	208721*	216328*	421654	—	252805*	10274*	16684*	16817*	216289*	253133	500185	300992
	110062	421666	208721*	216328*	421650	—	19138*	209100*	253227*	253168*	216289*	253131	500185	300993
	110063	421651	208721*	216328*	421650	—	19138*	209100*	253227*	253168*	216289*	253131	500186	300993
	110064	421667	253228*	253229*	421672	—	19141*	210365*	250909*	19134*	250822*	253134	500186	300994
	110065	421656	253228*	253229*	421672	—	19141*	210365*	250909*	19134*	250822*	253134	500187	300994
	110066	421668	250479*	250480*	421652	11916	19144*	251636*	10922*	251419*	250478*	253132	500187	300995
	110067	421653	250479*	250480*	421652	11916	19144*	251636*	10922*	251419*	250478*	253132	500188	300995
	110068	421669	253157*	253149*	421673	10585	253150*	10285*	253151*	253152*	253148*	253147	500188	300996

Part numbers marked with an asterisk (*) are contained in Repair Kit.

Refer to any operating instructions included with this product for detailed information about operation, testing, disassembly, reassembly, and preventive maintenance.

Items found in this parts list have been carefully tested and selected. **Therefore: Use only genuine Hytec replacement parts!**

Additional questions can be directed to our Technical Services Department.