

## EDGE CLAMP

5,000 PSI Max. Operating Pressure

Hytec's #100986 edge clamp performs three functions: locating the workpiece, clamping horizontally against secondary locators and clamping vertically against the primary locating surface. This combined horizontal and vertical clamping force can locate and secure many parts with no other clamps being needed. Refer to Figure 1 for a typical application set-up.

This single-acting clamp has an o-ring face seal for convenient installation.



**WARNING:** Always design fixtures to use less than the clamp's full stroke!

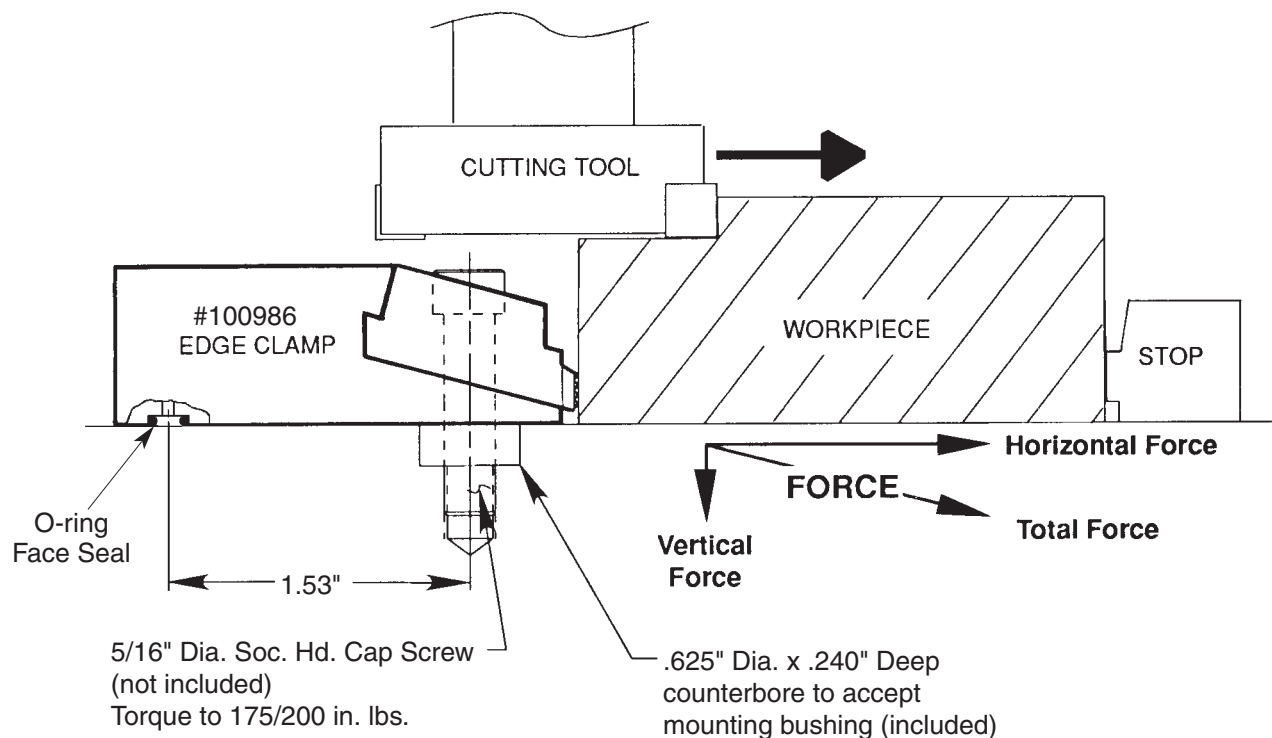


Figure 1