

Double-acting
SWING / PULL CLAMP

Max. Capacity: 1,200 lbs. Clamping Force (with 1-1/2" lg. arm) at 5,000 PSI

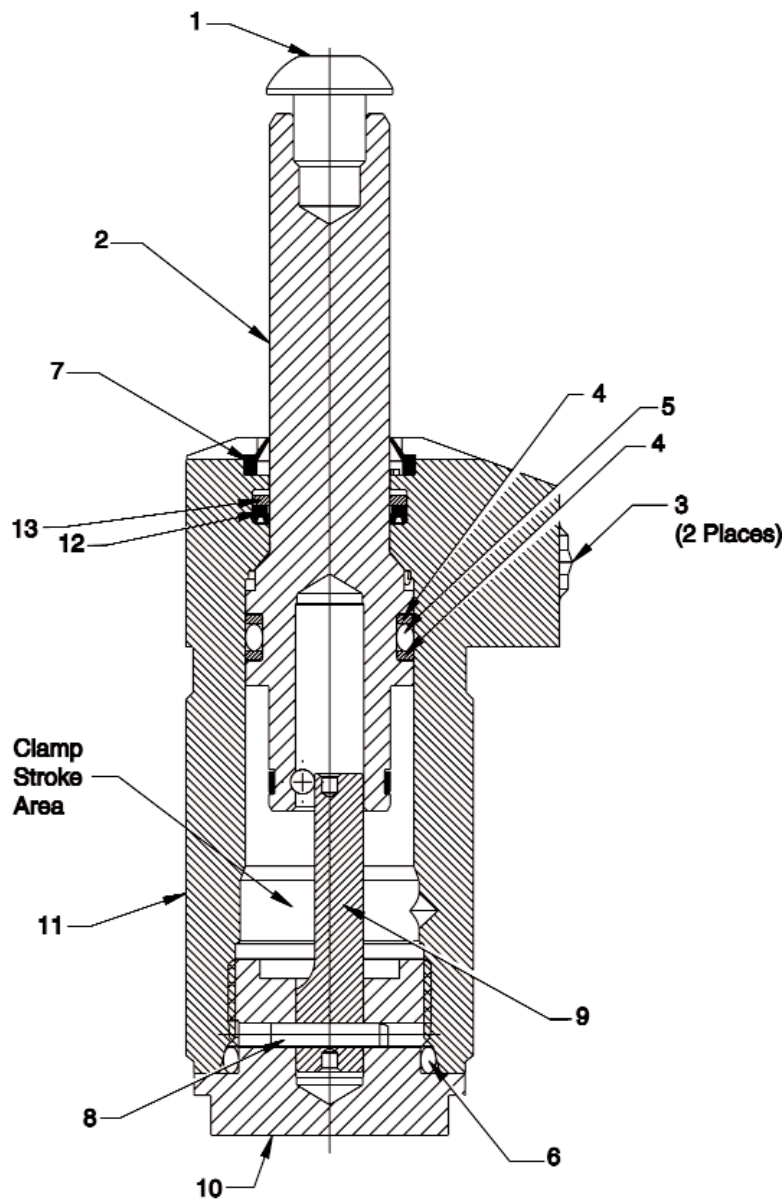
110176 - Left Hand, 11/32" Stroke

110177 - Right Hand, 11/32" Stroke

110178 - Straight Pull, 11/32" Stroke

The piston rod U-cup seal (Item 12) can be easily twisted if installed incorrectly.

Before installing the piston rod (Item 2) lubricate the rod and all seals with hydraulic oil. Install the rod with light pressure and a twisting motion as the seal is first contacted.



SECTION A-A

Parts List, Form No. 108188, Back sheet 1 of 1

Item No.	Part No.	No. Req'd	Description	
1	251445	1	Screw, Button Hd. (3/8-16 x 3/8)	
2	360156	1	Piston Rod	
3	250961	2	O-ring Boss Plug (7/16-20 Plastic)	
4	260137	2	Backup Washer (.87 x .70)	
5	*260139	1	O-ring (.87 x .68 Polyurethane)	
6	*12745	1	O-ring (1.15 x .92)	
7	*260141	1	Rod Wiper	
8	260144	1	Spring Pin (.13 x .60)	
9	360091	1	Rotating Cam (Left Hand† 90° for 110176)	} NOTE: Flat of cam (clamp stroke area) to be opposite of body port. Grease roller in piston rod (Item #2) and cam with a light coating of CDM Extreme Pressure Lube #3.
	360092	1	Rotating Cam (Right Hand† 90° for 110177)	
	360090	1	Rotating Cam (Straight Pull for 110178)	
10	360086	1	End Cap	
11	360154	1	Body, w/ Plug	
12	*360156	1	U-cup	
13	*260138	1	Backup Washer (.80 x .62)	

Part numbers marked with an asterisk (*) are contained in Repair Kit No. 301039.

†Right hand rotation is clockwise rotation when viewed from the piston rod end.
Left hand is counterclockwise rotation. To reverse clamp rotation, order the appropriate rotating cam.

Refer to any operating instructions included with this product for detailed information about operation, testing, disassembly, reassembly, and preventive maintenance.

Items found in this parts list have been carefully tested and selected. **Therefore: Use only genuine Hytec replacement parts!**

Additional questions can be directed to our Technical Services Department.