

100915

Hytec's pilot operated check valve offers a unique poppet seal design making them ideal for pallet applications or other specialized control circuits where zero leakage is essential. They can be used in any application where pressure must be maintained in a portion of a circuit until a separate pilot signal opens the valve and allows free flow in the reverse direction.

The pilot pressure required to release the valves is approximately one third of the pressure being released. The pilot piston is sealed to prevent pilot flow through the valve.

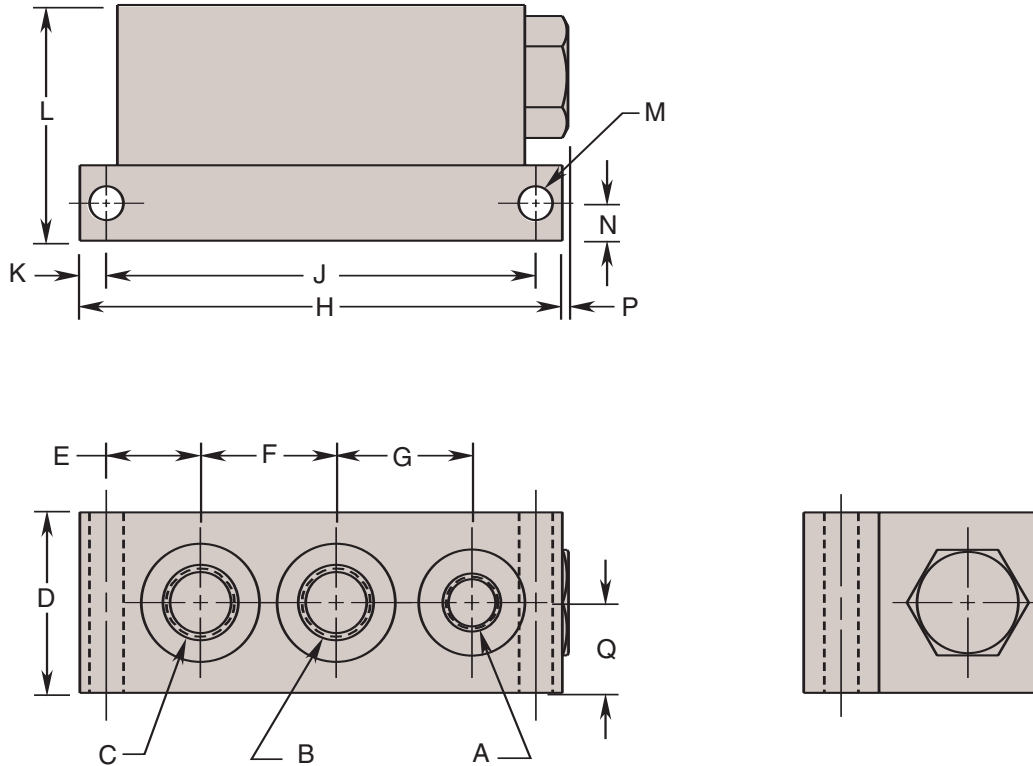
These valves are used with Hytec's Automatic Pallet Coupling System and double-acting manual pallet valve. The replaceable filter elements protect the check valve and your other system components from con-

tamination. No disassembly of circuit plumbing is required to service the filters or the check valve cartridge. An additional filter is recommended for protection of the return side of double-acting clamping circuits.

Features:

- Replaceable, cartridge design valve
- Filters in all three ports protect the check valve and downstream components
- Filters are replaceable without disassembly of plumbing
- SAE O-rings ports
- 10 micron (25 micron absolute) filtration level
- Specially reinforced filter elements resist fatigue from pressure spikes
- 5,000 psi maximum
- No. 100915 replaces and directly interchanges with No. 100856

Check Valves



Cat. No.	Specifications		Dimensions (In Inches)						
	Maximum Flow (GPM)	System/Pilot Pressure Ratio	A Pilot Port	B Inlet Port	C Outlet	D	E	F	G
100915	5	3:1	SAE-4 1/16"-20 UNF	SAE-6 1/16"-18 UNF	SAE-6 1/16"-18 UNF	1.500	.781	1.125	1.125

Cat. No.	Dimension (In Inches)							
	H	J	K	L	M Dia.	N	P	Q
100915	4.000	3.562	.219	1.955	.281	.312	.050	.750