

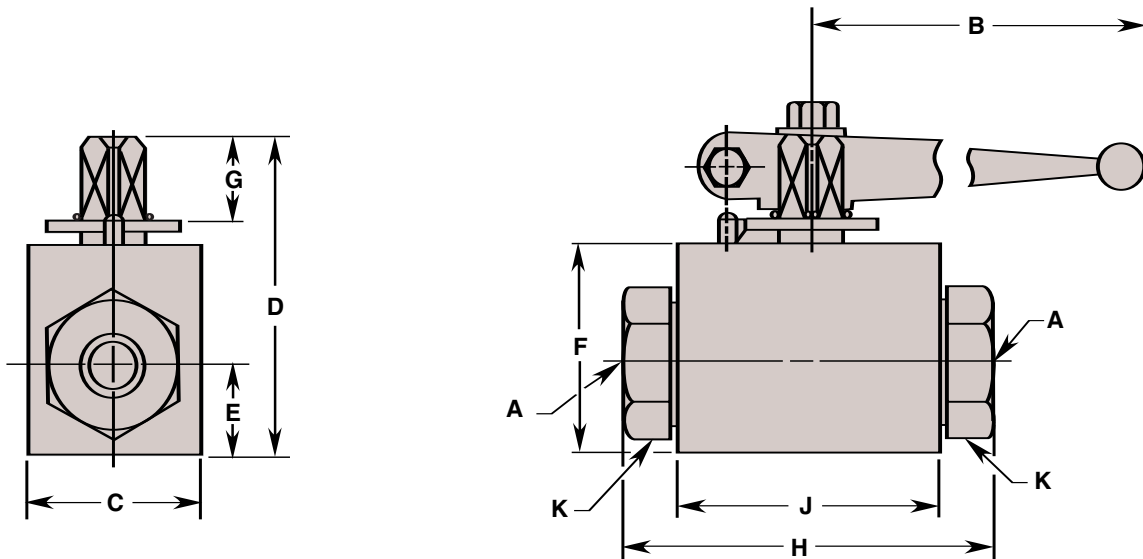
100984

These two new high pressure ball valves provide full unrestricted flow and positive shut-off of fluids under extremely rugged service conditions making them perfect for workholding applications. Based on the "floating" ball principle, this design allows the ball to turn freely between the ball seals. A positive seal is attained by fluid pressure acting on the upstream surface of the ball and producing a constant uniform contact between the downstream ball seal and ball. The ball is operated by a single spindle with a projecting square end to which the handle is attached.

Features:

- Positive stops
- 90 degree actuation
- Easy Rotating
- Designed for shifting under high differential pressures
- Handle easily modified to fit application
- 5000 psi max.
- SAE or NPT ports

Ball Valves



Cat. No.	Dimensions (In Inches)										
	Max PSI	A	B	C	D	E	F	G	H	J	K Hex.
100984 (NPT)	5000	1/4 NPTF	6.000	1.000	1.970	.510	1.380	.470	2.720	1.380	.750
100985 (SAE)		7/16-20 UNF SAE-4									1.000