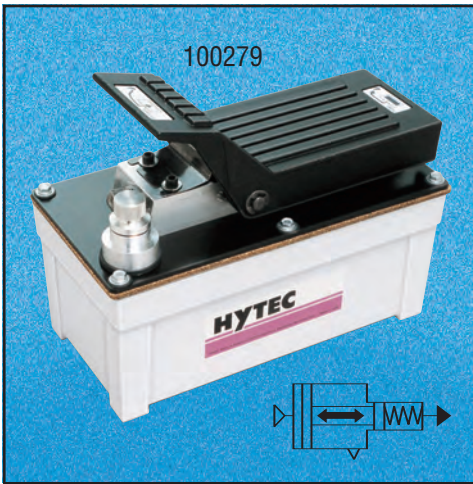


Manual Pallet Coupling Pump



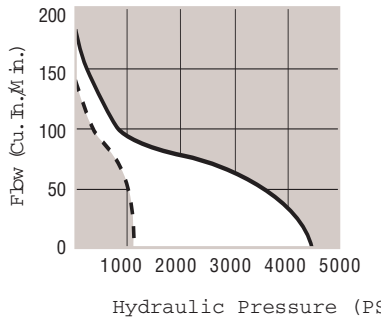
Designed specifically for use with manual pallet valves, this single-stage pump includes a 5 ft. hose and special coupler No. 100908 to mate with our manual pallet valves.

Operation is simple: connect the coupler and release the pallet valve. Change the workpiece, then press the foot pedal to start the pump and clamp the piece. Rocking the pedal forward releases pressure in the coupler while the pallet valve maintains pressure at the pallet. At this point, the coupler and hose may be disconnected.

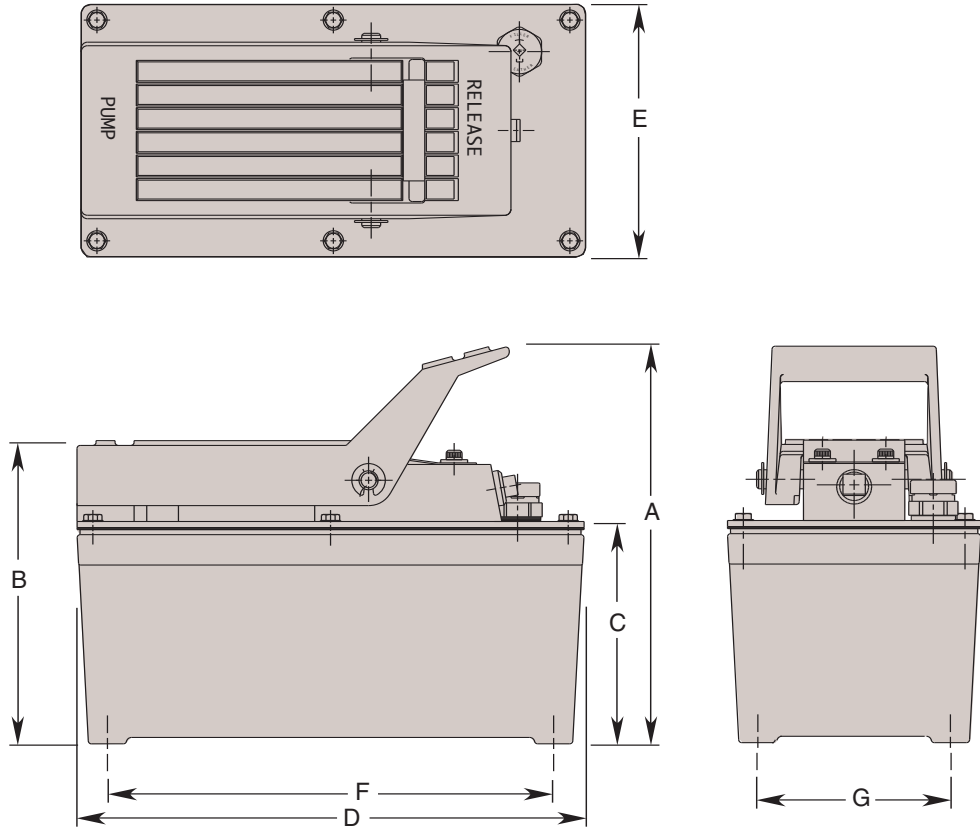
Refer to page 89 for additional pump performance information.

Features:

- Filtered filler/breather cap with dipstick
- 105 cu. in. metal reservoir
- 3/8" NPTF outlet with 1/4" NPTF reducer
- 1/4" NPTF air inlet port
- Shipped with hydraulic oil
- Foot treadle control allows "hands free" operation
- Operating Pressure Range (nominal):
4,475 psi max. @ 125 psi air, max.
1,150 psi min. @ 40 psi air, min.
- 98 cu. in. usable oil



Performance
 No. 100279
 — 125 psi Air Pressure
 - - - 40 psi Air Pressure



Cat. No.	Dimension (In Inches)						
	A	B	C	D	E	F	G
100279	7.750	5.875	4.250	10.000	5.000	9.000	4.000

NOTE: This pump is not for use in normal "constant pressure" applications. Requires filtered, regulated, lubricated air supply. Air requirements: 20 CFM (max.) at low hydraulic pressure decreasing to 0 CFM when pump stalls.