

Pressure Gauges



Hytec offers standard hydraulic pressure gauges for monitoring system pressure. All have English and metric scales for convenience.

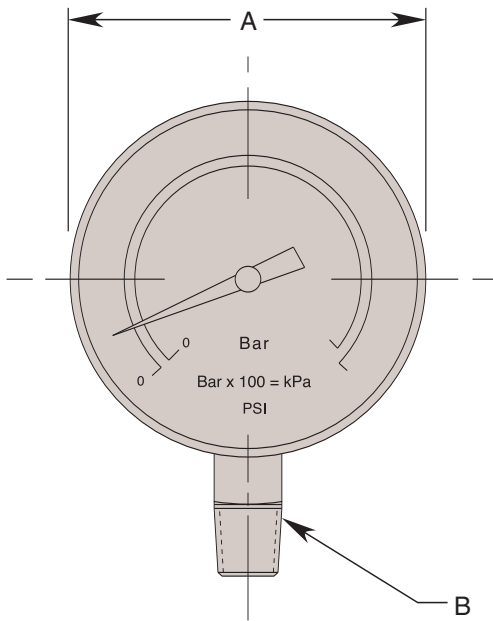
Liquid-filled gauges are recommended for high cycle or pulsating applications because the liquid tends to dampen vibration which protects the meter movement and calms "needle quiver." Dry gauges are recommended for applications where fast needle reaction is essential.

All gauges have built-in snubbers. In applications where pressure spikes are present, further snubbing may be necessary for the dry gauge.

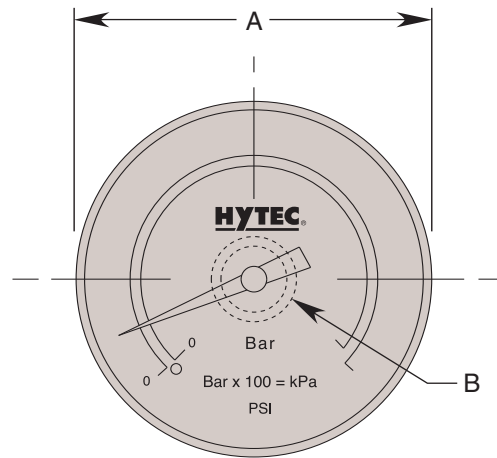
Features:

- Dual scales
- Liquid-filled or dry
- ¼" NPT brass connection, bottom and ⅜" NPT back mount

100236, 100238 & 100878



100917



Cat. No.	Specifications					Dimensions (In Inches)	
	Scale	Range	Graduations	Case	ANSI Accuracy	A	B
100236	PSI	0-6,000	100 PSI	Liquid Filled	1.6%	2.625	¼ NPT
	Bar	0-400	10 Bar				
100238	PSI	0-5,000	100 PSI	Dry	2%	2.640	¼ NPT
	kPa	0-35,000	1,000 kPa				
100878	PSI	0-2,000	50 PSI	Liquid Filled	1.6%	1.770	⅜ NPT Back Mount
	Bar	0-140	2 Bar				
100917	PSI	0-6,000	1,000 PSI	Liquid Filled	1.6%	1.770	⅜ NPT Back Mount
	Bar	0-400	100 Bar				