

CombiNorm

Centrifugal pump according to EN 733 (DIN 24255)



The SPX Johnson Pump Combi system is a modular programme of single stage centrifugal pumps with a high degree of interchangeability of parts between the different pump constructions.

The Combi pumps cover an extensive series of centrifugal pumps which can be supplied as horizontal, vertical and submerged pumps. A number of standards were taken into account in the designing of this pump series; EN 733 (DIN 24255), EN 22858 (ISO 2858 / DIN 24256), ISO 5199 and API 610.

Based in Charlotte, North Carolina, SPX Corporation (NYSE: SPW) is a global Fortune 500 multi-industry manufacturing leader with over \$5 billion in annual revenue, operations in more than 35 countries and over 15,000 employees. The company's highly-specialized, engineered products and technologies are concentrated in Flow Technology and energy infrastructure. Many of SPX's innovative solutions are playing a role in helping to meet rising global demand for electricity and processed foods and beverages, particularly in emerging markets. The company's products include food processing systems for the food and beverage industry, critical Flow components for oil and gas processing, power transformers for utility companies, and cooling systems for power plants. For more information, please visit www.spx.com

CombiNorm

Always the right pump!

The CombiNorm is a centrifugal pump according to EN733 (DIN 24255). This is one of the most versatile pump types. The pump has a wide range of shaft sealing options, varying from gland packing to balanced cartridge double seal. Standard and heavy duty bearings are available, either grease or oil lubricated. That's why CombiNorm is always the right pump!

CombiNorm represents a range of horizontal centrifugal pumps suited for handling low-viscosity, clean or slightly contaminated liquids. The pump is designed to EN 733 (DIN 24255); however the number of available types is somewhat larger, which provides a wider hydraulic field.

A characteristic of the CombiNorm is the large number of material, shaft seal and bearing system options. The modular design offers maximum interchangeability between the variants. Hence CombiNorm is able to handle most pump duties. If more sophisticated components are required, only the relevant bearing or shaft seal module needs to be replaced with the one having the right specifications.

The Back Pull Out design greatly facilitates maintenance of the CombiNorm. Thanks to the similarity between the structural parts, the stock of spare parts can be limited.



Typical product applications

From know-how to finding solutions



KEY FEATURES

- Available in several materials
- Only 5 shaft groups for the whole range
- Suitable for a wide range of duties
- Mechanical seals according to EN 12756 (DIN 24960)
- Single and double cartridge seals
- Oil or grease lubricated heavy duty bearing
- Back Pull Out principle
- Pump cover options for cylindrical bore and tapered bore

INDUSTRY

CombiNorm's ample choice of shaft sealing options and its availability in several materials makes it a very suitable pump for general purposes. Complying to EN 733 (DIN 24255), provided with industrial standard gland packing or mechanical seals according to EN 12756 (DIN 24960) CombiNorm is always the right pump.



UTILITY

Applications of the CombiNorm within utility buildings are as general duty pumps, circulation pumps in heating systems and pumps in water purification plants.



tapered bore seal chamber option

TAPERED BORE SEAL CHAMBER OPTION

The CombiNorm pumps offer a tapered bore seal chamber option to improve the service life of the mechanical seal.

The conical seal chamber diverts solids and slurry away from the mechanical seal and provides for better cooling of the seal which will increase the life of the seal.

Ribs in the chamber effectively disrupt any vortex formation.

Features and *Benefits*

PUMP PERFORMANCE

- optimised volute design
- *high efficiency*
- smooth surfaces
- *minimal internal losses*

MATERIAL OPTIONS

- available in cast iron, nodular cast iron and bronze
- impellers available in cast iron, bronze and stainless steel
- other material available upon request
- *suitable for a wide range of applications*

SUCTION CAPABILITIES

- smooth suction entry in pump casing
- smooth surface
- *optimum NPSH*
- anti rotation vane
- *minimal flow distortion giving better suction capabilities*

PUMP CASING

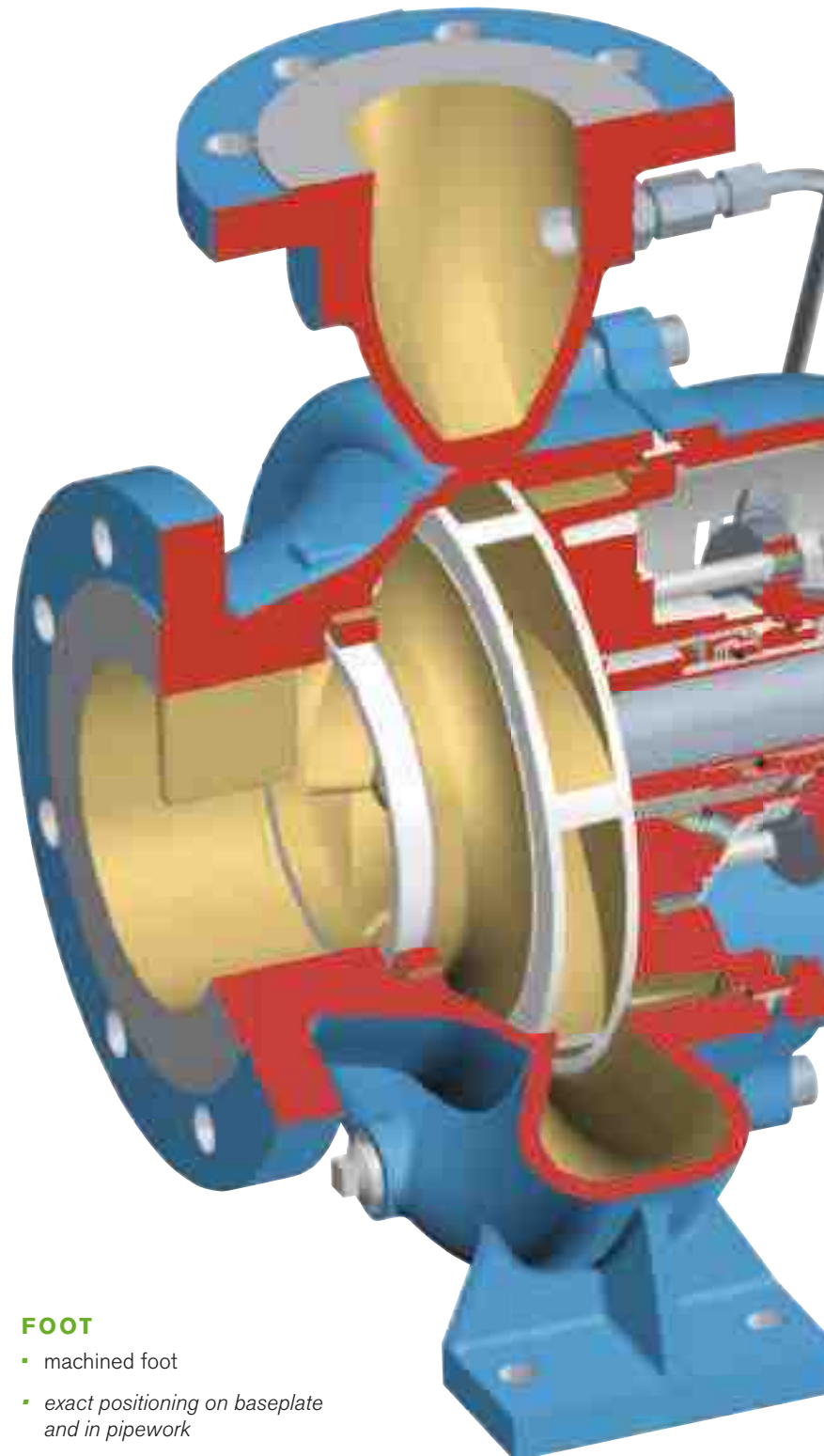
- flanges according to ISO 7005 PN 10/PN 16
- max. working pressure 1000 kPa (10 bar)
- *wide range of applications*
- large drain opening
- *complete and fast draining of the casing*

IMPELLER LOCKING

- stainless steel impeller cap nut with flat gasket
- *reliable and economic locking*

IMPELLER BACK VANES

- flat cover for hydraulic balancing
- back vanes for hydraulic balancing
- *extended bearing life*
- *keeps solids away from shaft sealing area*
- *circulation flow over mechanical seal*



FOOT

- machined foot
- *exact positioning on baseplate and in pipework*

SHAFT

- steel alloy or stainless steel shaft
- *rigid, reliable shaft*
- most seal options with shaft sleeve (extended impeller key ensures co-rotation of the shaft)
- *no contact between shaft and pumped liquid when shaft sleeve applied*

OIL LUBRICATION

- breather / filling plug on top
- oil bath
- oil sight glass
- constant level oiler
- large drain plug

SHAFT SEALING

- 8 possible mechanical EN 12756 (DIN 24960)-seal options, including cartridge seals
- sealing rings and elastomers in several possible combinations
- mechanical seal flushed by pumped liquid (plan 11)
- quenched mechanical seal option mechanical seal option with cooling / heating jacket
- 3 possible gland packing options e.g. with cooling cover or external flush
- *suitable for many possible applications*
- *suitable for many liquids*
- *also suitable for high temperatures*
- Tapered bore seal chamber with or without flush plan

BEARINGS

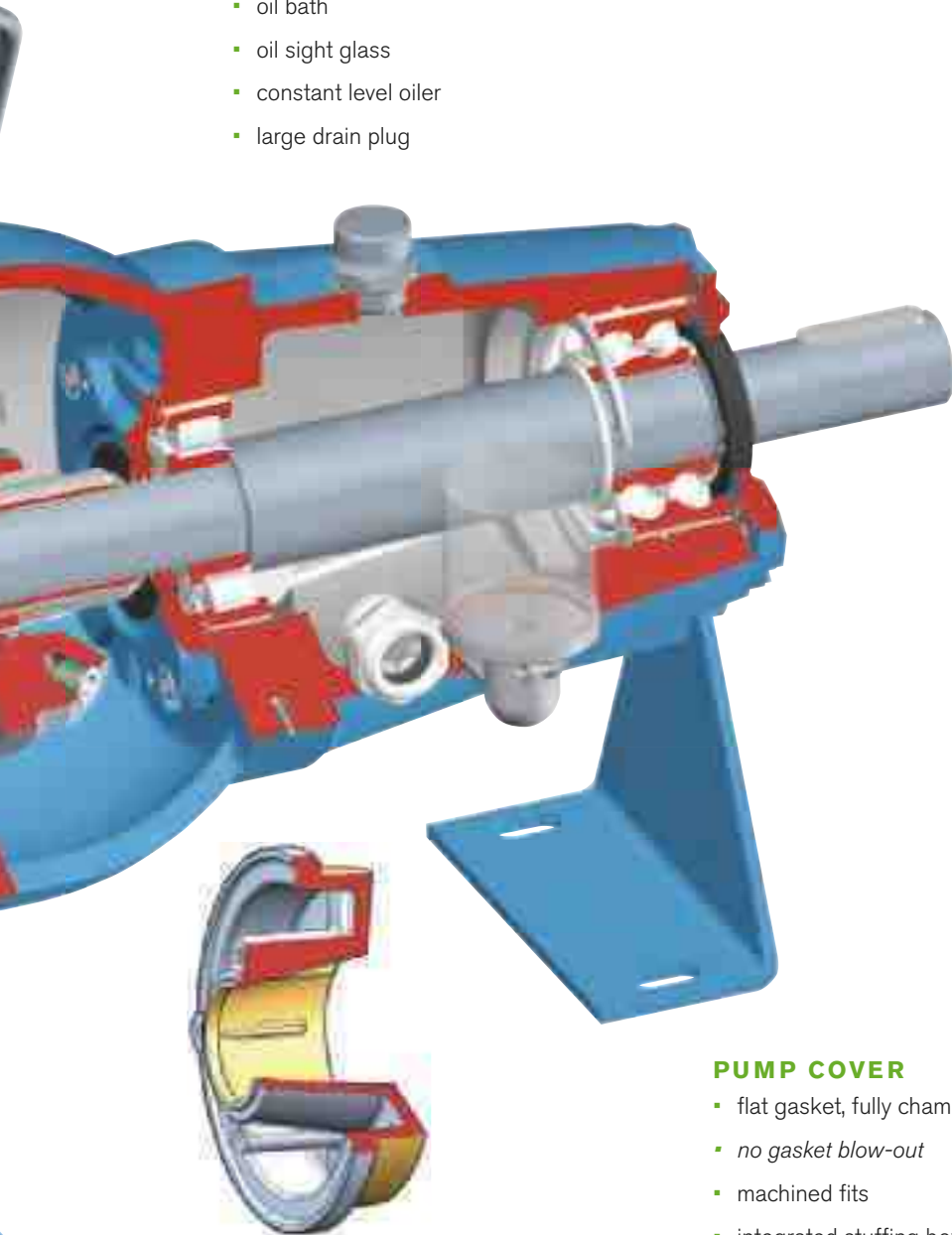
- 2-deep groove ball bearings sealed for life or oil lubricated double row angular contact bearing and roller bearing greased for re-lubrication or oil lubricated
- *extended MTBF*
- *economic bearing lock-up*
- rigid cast iron bearing bracket construction
- *exact alignment*

EASY AND LOW COST MAINTENANCE

- Back Pull Out principle
- *reduced maintenance downtimes, quick and easy impeller replacement*
- mechanical seals according to EN 12756 (DIN 24960)
- *reduced maintenance costs*
- cartridge seals
- changeable wear ring
- *reduced maintenance costs*

PUMP COVER

- flat gasket, fully chambered
- *no gasket blow-out*
- machined fits
- integrated stuffing box/mechanical seal chamber with cylindrical bore
- *perfect alignment of all components*
- integrated pump cover with tapered bore seal chamber with flow-guiding ribs
- *optimize seal life through improved heat dissipation*



tapered bore seal chamber option

Shaft sealings

CombiNorm is available with the following shaft sealing configurations:

GLAND PACKING OPTIONS:



S2
Soft packing ring, shaft sleeve



S3
Soft packing ring, shaft sleeve,
lantern ring



S4
Soft packing ring, shaft sleeve,
cooling jacket

MECAHNICAL SEAL OPTIONS:



M1
Single mechanical seal,
unbalanced



M2 MG12 / M7N
Single mechanical seal,
unbalanced, shaft sleeve



M3 HJ92N / HJ977GN
Single mechanical seal,
balanced, shaft sleeve



MQ2 MG12 / M7N
Single mechanical seal, unbalanced,
dry-running protection or pressure-
less quench, shaft sleeve



MQ3 HJ92N / HJ977GN
Single mechanical seal,
balanced, dry-running protection
or pressure-less quench, shaft
sleeve



MW2 MG12 / M7N
Single mechanical seal,
unbalanced, cooling/heating
jacket, shaft sleeve



MW3 HJ92N / HJ977GN
Single mechanical seal, balanced,
cooling/heating jacket, shaft
sleeve

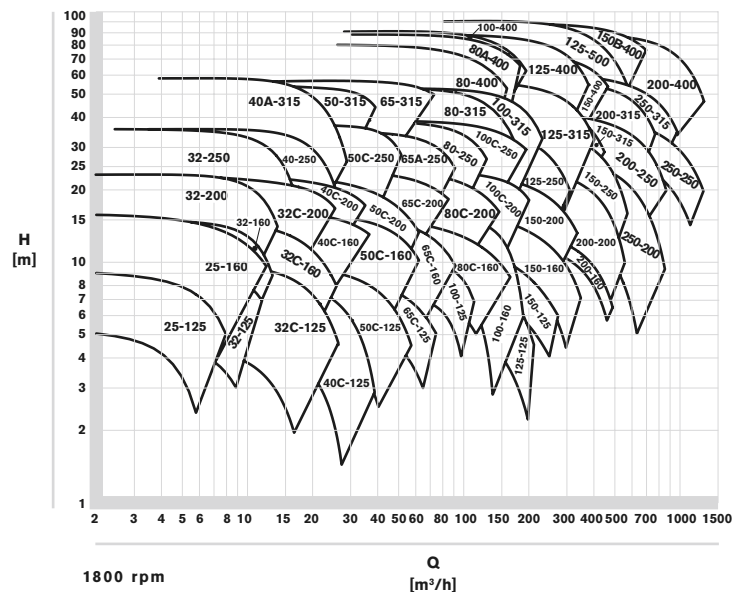
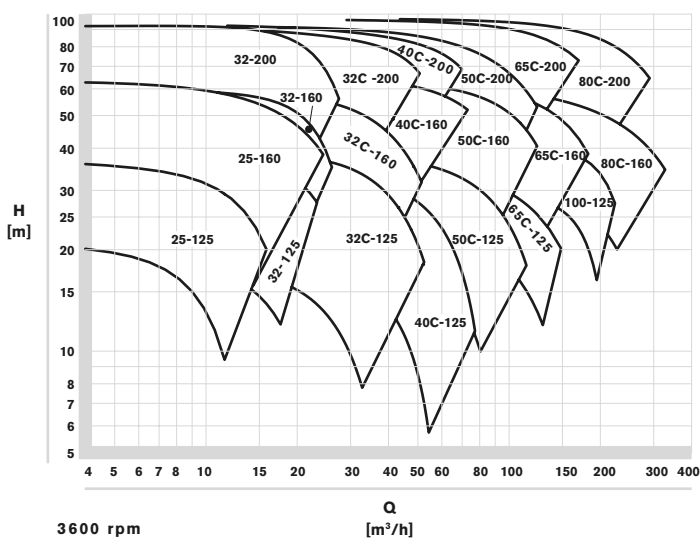
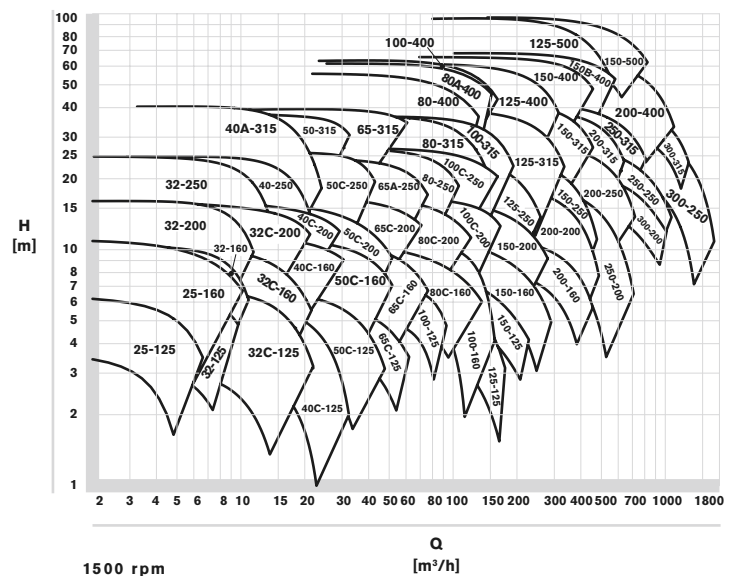
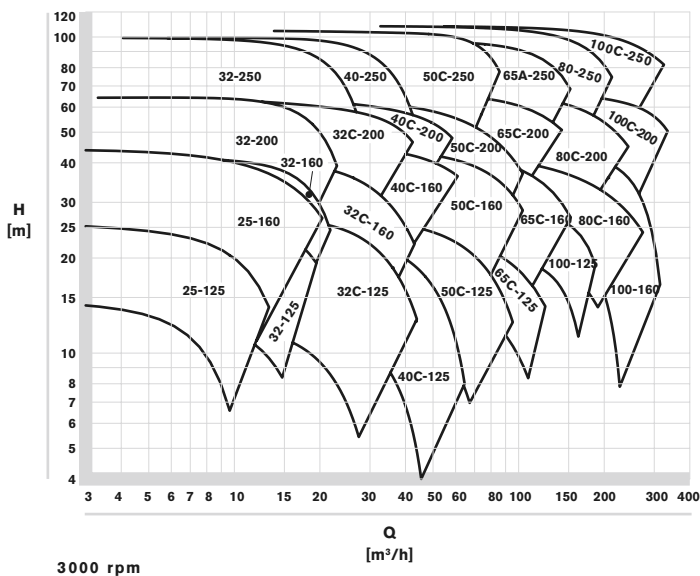


CARTRIDGE SEALS
single, single with quench and
double seals

Technical data

| | |
|------------------------------|------------------------|
| Max. capacity | 1500 m ³ /h |
| Max. head | 100 m |
| Max. working pressure | 1000 kPa (10 bar) |
| Max. temperature | 200 °C |
| Max. speed | 3600 rpm |

Hydraulic performance data



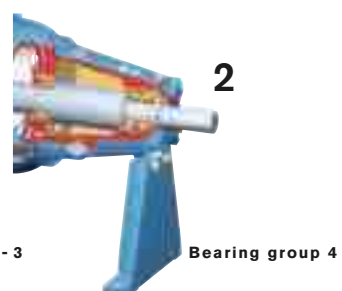
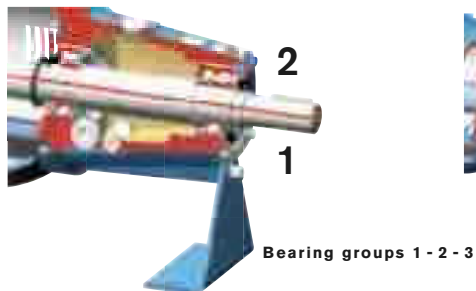
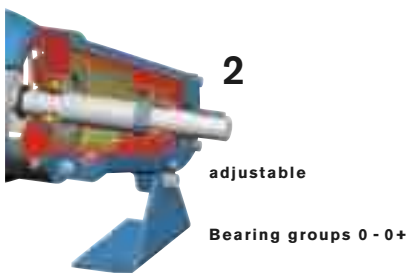
Subject to alterations

Bearing

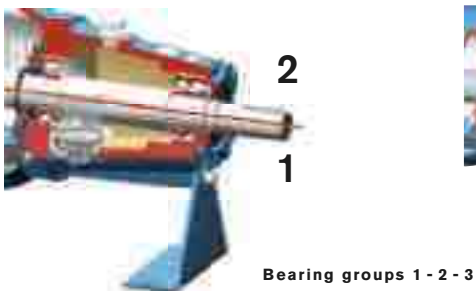
The CombiNorm has 2 bearing arrangements:

1. two deep-groove ball bearings (grease lubricated "sealed for life")
2. a double-row (two single – bearing group 4) angular contact ball bearing in combination with a roller bearing

Both versions can be provided grease lubricated as well as oil lubricated.



Grease lubrication



Oil lubrication

SPX FLOW TECHNOLOGY ASSEN B.V.

Dr. A.F. Philipsweg 51, 9403 AD Assen
P.O. Box 9, 9400 AA Assen, THE NETHERLANDS
P: +31 (0)592 37 67 67
F: +31 (0)592 37 67 60
E: johnson-pump.nl.support@spx.com

SPX reserves the right to incorporate our latest design and material changes without notice or obligation.

Design features, materials of construction and dimensional data, as described in this bulletin, are provided for your information only and should not be relied upon unless confirmed in writing. Please contact your local sales representative for product availability in your region. For more information visit www.spx.com and www.johnson-pump.com.

The green ">" is a trademark of SPX Corporation, Inc.

JP_413_GB Version: 01/2013 Issued: 08/2013

COPYRIGHT © 2009, 2012, 2013 SPX Corporation