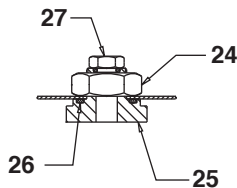
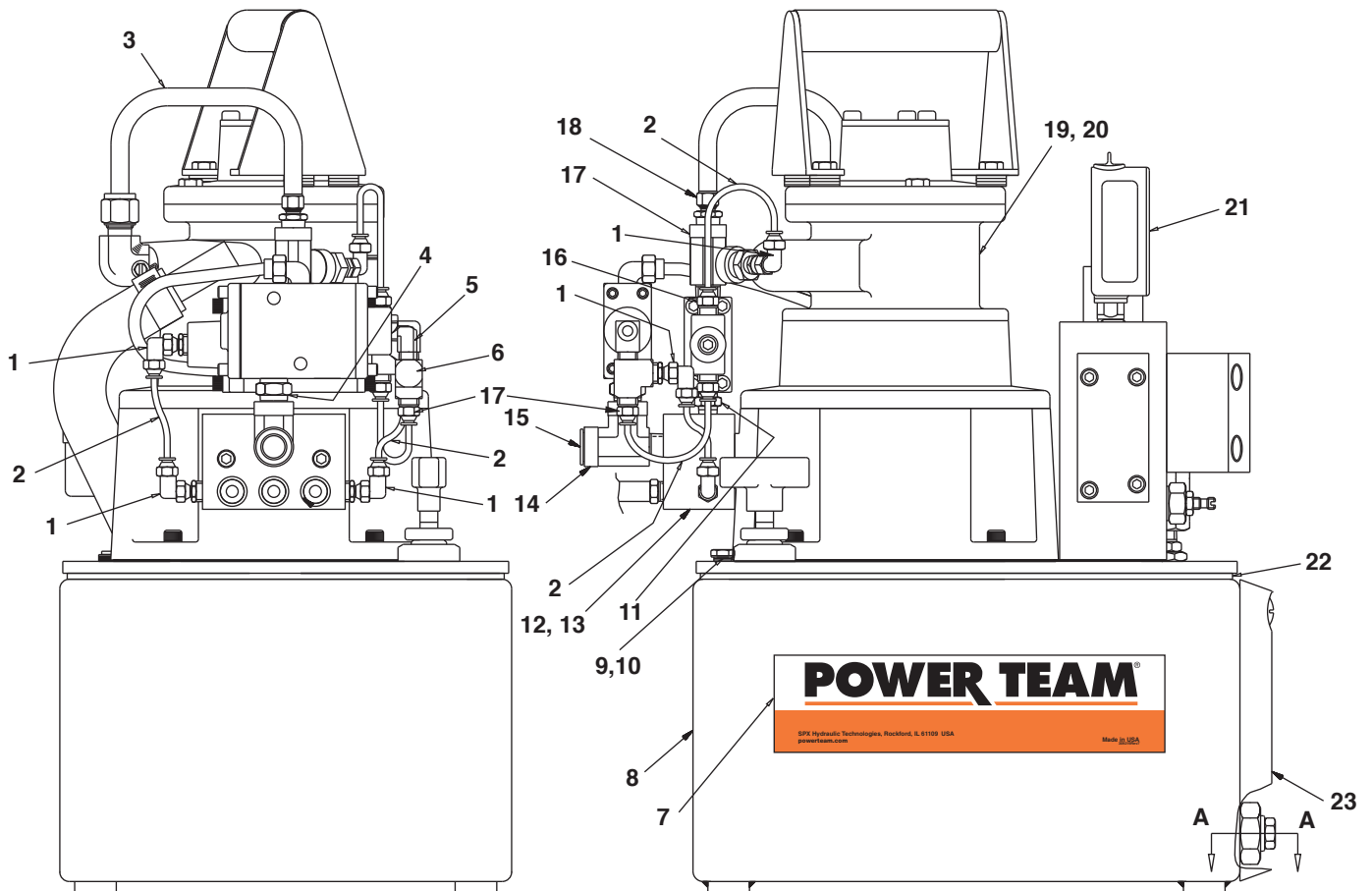


MODEL C HYDRAULIC PUMP AIR DRIVEN WITH REMOTE CONTROL GENERAL ASS'Y SIDE VIEW



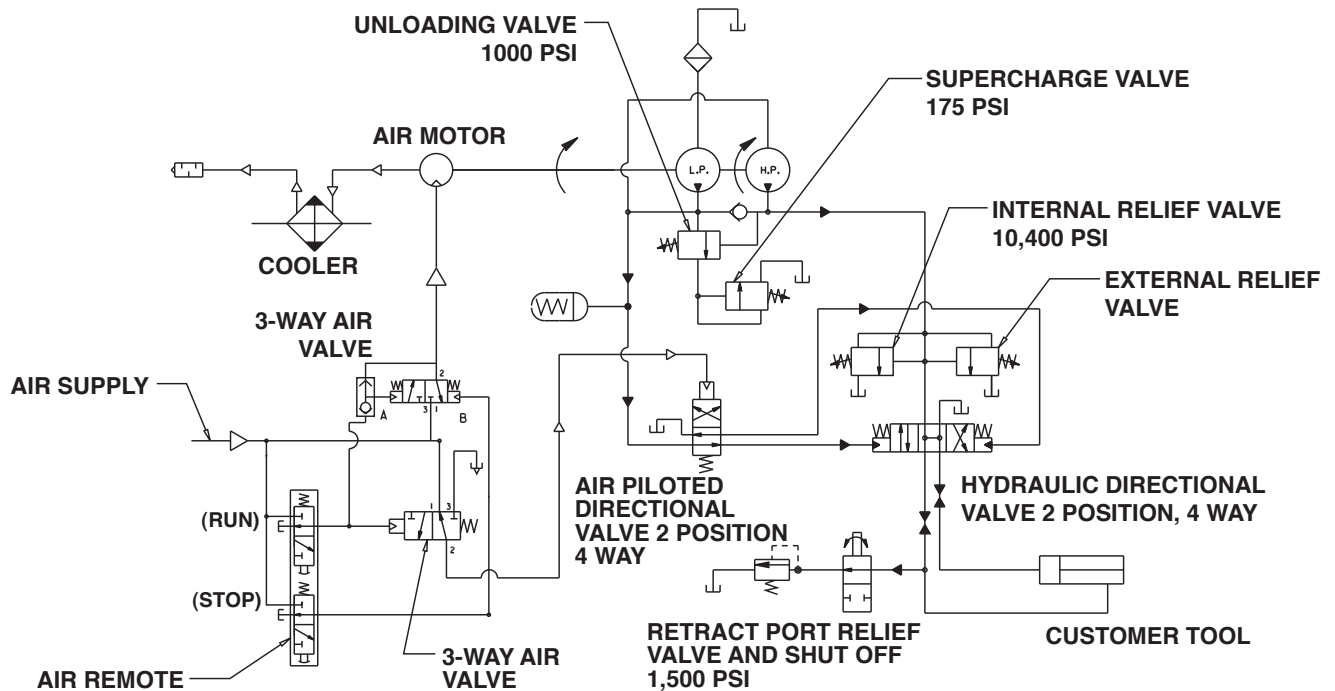
SECTION A-A

Part List, Form No. 1000339, Back sheet 1 of 6

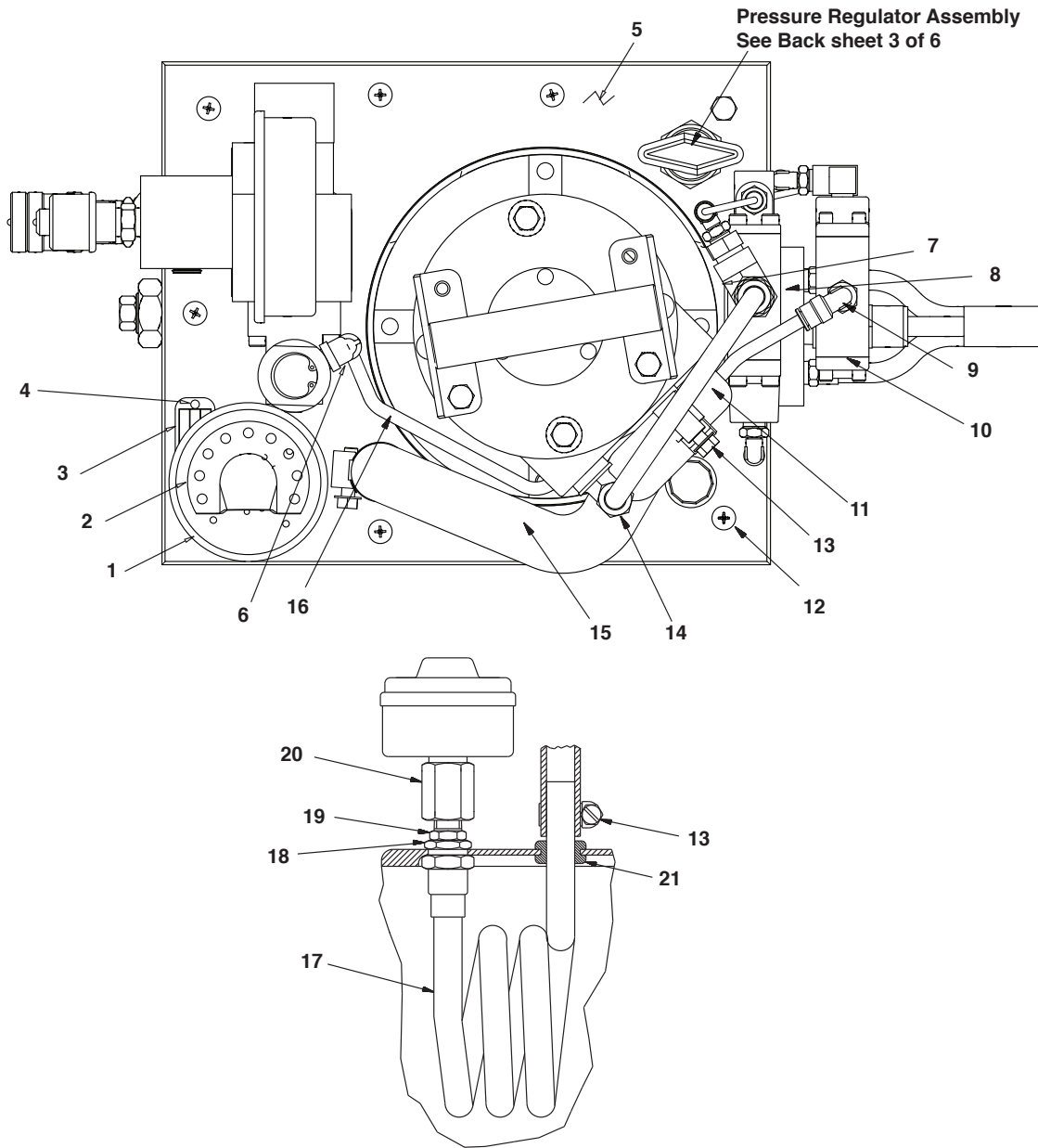
Item No.	Part No.	No. Req'd	Description	Item No.	Part No.	No. Req'd	Description
1	250804	5	90° Elbow Fitting, 1/8 NPTF	12	350244	1	Air Valve Manifold
2	14281	.8 ft.	Nylon Tubing	13	10020	2	Cap Screw (1/4-20 X 1-1/4 Lg.)
3	2000397	1	Tube	14	10623	1	Tee Fitting (3/8 NPTF)
4	12328	1	Straight Fitting (NOTE: Install #12328 Fitting into #10623 Tee Fitting. Install 1/4 NPTF end of #12328 into Port No. 1 of #212404 Air Valve.)	15	11967	1	Plug, Tapered Cap
5	14680	1	90° Elbow Fitting, 1/8 NPTF	16	250726	3	Straight Fitting(1/8 NPTF)
6	19463	1	Tee Fitting 1/8 NPTF	17	10618	1	Tee Fitting (1/4 NPTF)
7	309219	2	Decal, Tradename Power Team	18	17634	1	Straight Fitting (1/4 NPTF)
8	65599OR9	1	Reservoir	19	*51159	1	Air Motor Ass'y (See back sheet 2 of 6)
9	12825	1	Screw, Hex Hd Cap (1/4-20 x 5/8)	20	251206	1	Coupling
10	10442	1	Washer, Copper (.37 x .25)	21	9062	1	Gauge, (10,000 psi 4" Dia.)
11	16494	1	Straight Fitting 1/4 NPTF (NOTE: Instal #16494 fitting into #350244 manifold. Install other end into port 3 of #2000383 air valve).	22	40164	1	Gasket, Reservoir
				23	350431	1	Gauge, Oil Level (w/thermometer)
				24	10396	1	Nut, Hex Jam (3/4-16)
				25	351000	1	Drain
				26	14725	1	O-Ring (-119) Nitrile 1.12 x .93)
				27	17147	1	Plug Fitting (7/16 Hex 4-p50n-s)

***Note: For air motor repair kit, order no. 252100.**

HYDRAULIC SCHEMATIC

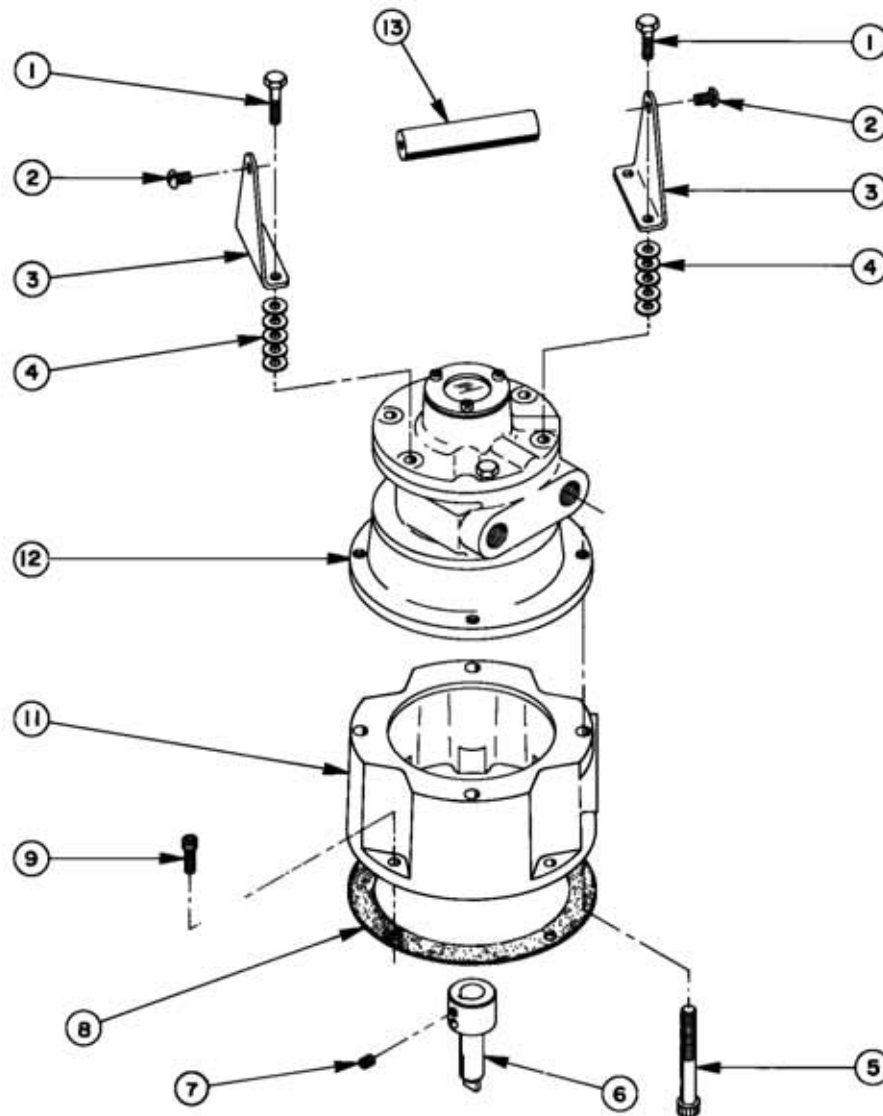


GENERAL ASS'Y TOP VIEW



Item No.	Part No.	No. Req'd	Description	Item No.	Part No.	No. Req'd	Description
1	13966	1	Muffler	10	212404	1	Valve, Air Operated 3-Way
2	205505	1	Muffler Deflector	11	212897	1	90° Elbow Fitting, 1/2 NPTF
3	251906	1	Plate, Product Name	12	10177	9	Screw (1/4-10 X 7/8 Lg.)
4	10575	4	Drive Screw	13	12367	2	Hose Clamp
5	3000336	1	Cover Plate Assembly (for RWP55)	14	17636	1	90° Elbow Fitting, 1/2 NPTF
	3000227		(see sheet 3 of 6 and back sheet 6 of 6)	15	212898		.9ft. Pressure Hose
6	250463	1	90° Elbow Fitting	16	15883	1.4ft.	Tubing, Polyethylene
7	13269	1	Straight Fitting 1/4 NPTF	17	46626	1	Heat Exchanger Coil
8	2000383	1	Valve, Air Operated 3-way	18	251796	1	Jam Nut
9	15457	1	90° Elbow Fitting	19	251795	1	Straight Fitting
				20	252240	1	Straight Fitting (1/2 x 1/2 BSPP)
				21	212896	1	Grommet

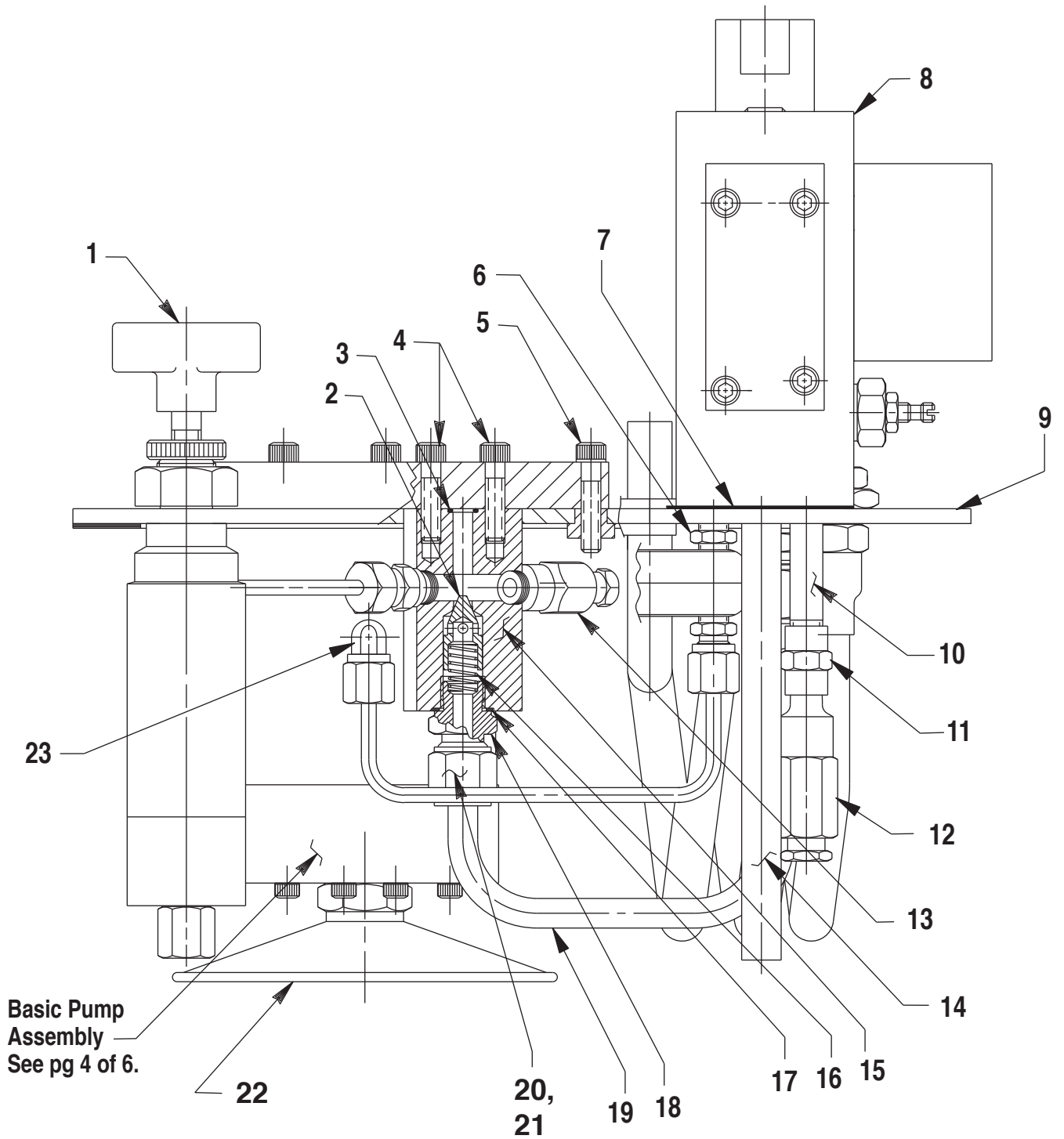
AIR MOTOR ASSEMBLY (Part No. 51159)



Item No.	Part No.	No. Req'd	Description	Item No.	Part No.	No. Req'd	Description
1	10018	4	Cap Screw (1/4-28 X 1-1/4 Lg.)	7	10556	1	Set Screw (1/4-20 UNC X 1/4 Lg.)
2	10174	2	Machine Screw (1/4-20 X 1/2 Lg.)	8	30650	1	Gasket
3	33808	2	Handle Bracket	9	10008	4	Cap Screw (1/4-20 X 3/4 Lg.)
4	12719	20	Washer	10	51158WH2	1	Motor Base
5	17816	4	Cap Screw (3/8-16 X 3" Lg.)	11	*14717	1	Air Motor (See Form #16138)
6	37842	1	Shaft Extension	12	28158	1	Handle

*Note: For air motor repair kit, order no. 252100.

COVER PLATE ASSEMBLY



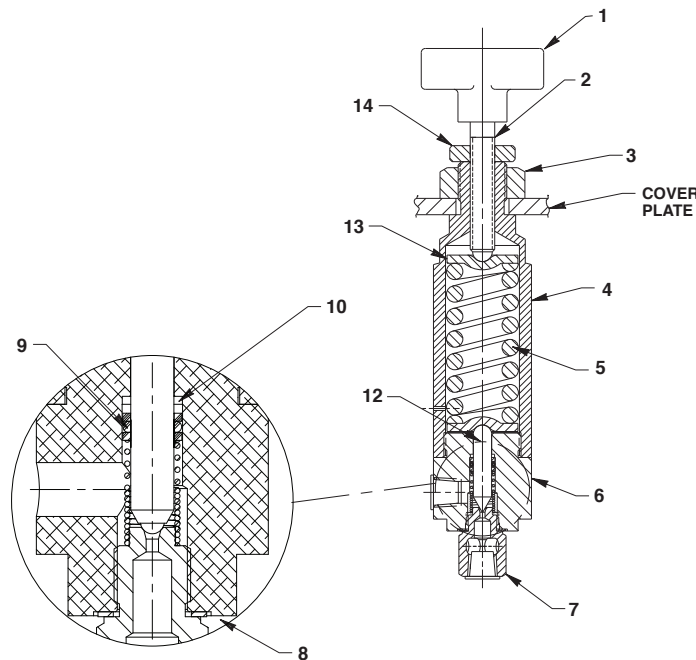
Parts List, Form No. 1000339, Back sheet 3 of 6

Item No.	Part No.	No. Req'd	Description
1	421280	1	Pressure Regulator Assembly (See parts listed below)
2	20771	1	Poppet
3	10266	1	O-ring (3/8 X 1/4 X 1/16)
4	10015	2	Hex Soc. Screw (1/4-28 UNF X 1" Lg.; Torque to 130/180 in. lbs.)
5	10016	3	Hex Soc. Screw (1/4-20 UNC X 1" Lg.)
6	11421	1	Straight Fitting
7	351095	1	Gasket
8	3000273BK	1	Valve Assembly (for RWP55)
	3000167BK	1	Valve Assembly (for RWP55-4)
9	2000481BK2	1	Cover Plate (See Sheet 6 of 6)
10	15456	1	Straight Fitting
11	18841	1	Straight Fitting

Item No.	Part No.	No. Req'd	Description
12	21278-15	1	Relief Valve (Set at 1,500/1,700 PSI)
13	21278	1	Relief Valve (Set at 10,100/10,700 PSI)
14	200609	1	Drain Tube
15	20776	1	Valve Body
16	10425	1	Spring (3/8 O.D. X 3/4 Lg.)
17	10261	1	Special Washer (3/4 X 19/32 X 1/32)
18	20770	1	Connector Fitting (Torque to 40/50 ft. lbs.)
19	252117	1	Oil Line
20	10430	1	Tube Sleeve
21	10431	1	Nut Fitting (3/8 Tube)
22	21345	1	Filter Screen (Includes o-rings)
23	11278	1	90° Elbow Fitting

PRESSURE REGULATOR ASSEMBLY (PART NO. 421280)

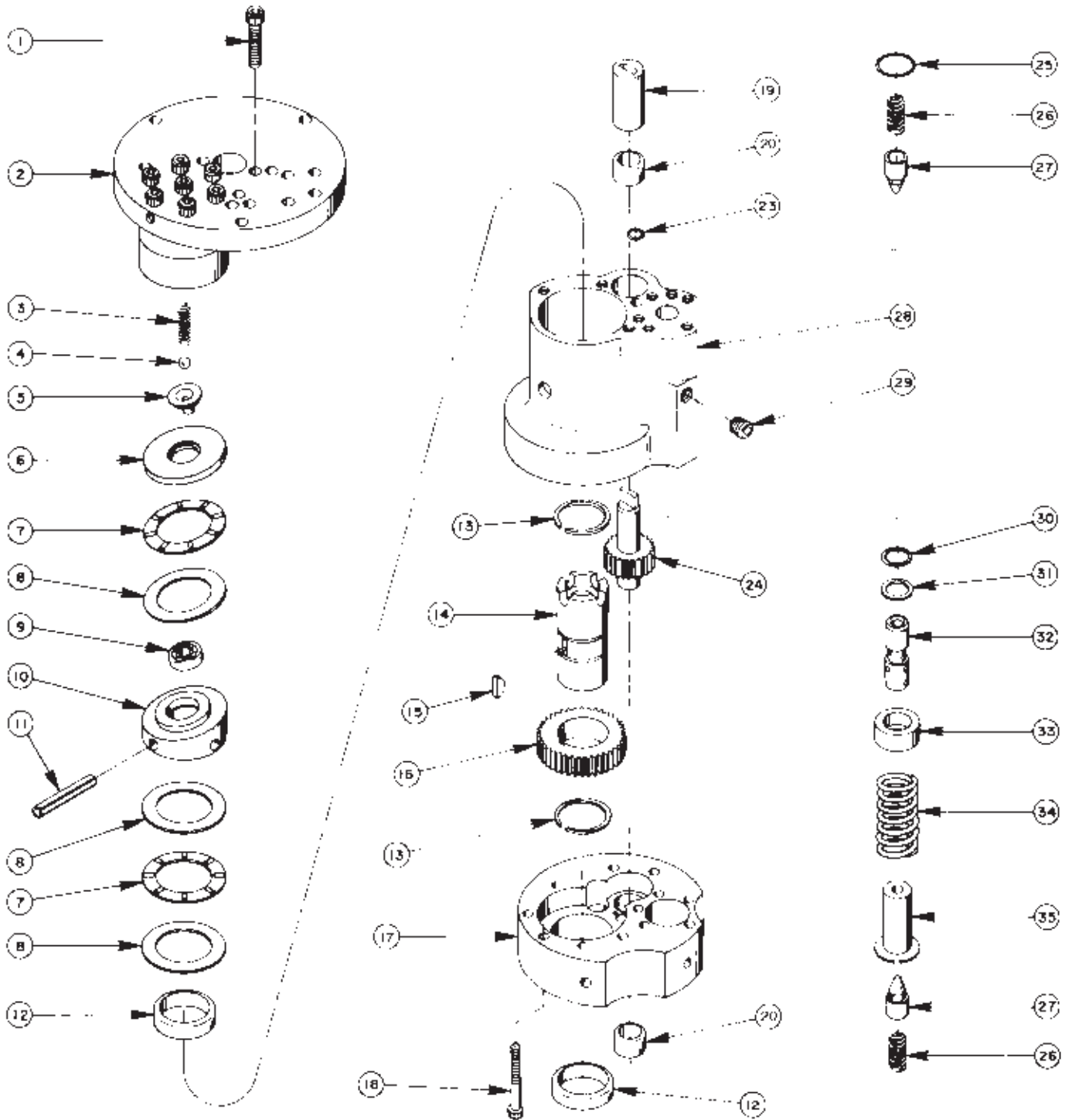
NOTE: Set at 10,100/10,700 PSI



Item No.	Part No.	No. Req'd	Description
1	215693	1	Knob (Note: Assemble to stem [Item #2] with Loctite #242 or equiv.)
2	215721	1	Adjustment Stem
3	10396	1	Jam Nut (3/4-16 UNF)
4	309077	1	Regulator Housing
5	215429	1	Compression Spring (1.100 O.D. X 2-1/2 Lg.)
6	420891	1	Regulator Body
7	350944	1	Seat Fitting (Torque to 440/460 in. lbs.)

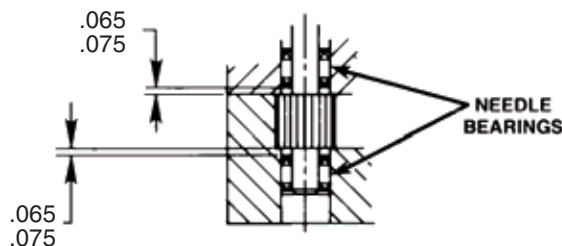
Item No.	Part No.	No. Req'd	Description
8	14874	1	Washer (.700 X 1/2 X 1/32)
9	10266	1	O-ring (3/8 X 1/4 X 1/16)
10	215430	2	Backup Washer
11	215431	1	Spring (Note: Assemble closed coils of spring form towards seat fitting [Item #7])
12	309079	1	Poppet
13	215428	2	Spring Retainer (Grease pocket before assembling [both ends])
14	215683	1	Regulator Locking Nut

BASIC PUMP ASS'Y (P/N 41065-2)



Item No.	Part No.	No. Req'd	Description
1	10020	9	Soc. Hd. Cap Screw (1/4-20 X 1-1/4 Lg.; Torque to 170-180 in. lbs.)
2	33113	1	High Pressure Pump Ass'y (See back sheet 5 of 6)
3	10361	1	Compression Spring (1/4 O.D. X 1" Lg.)
4	10375	1	Steel Ball (1/4 Dia.)
5	23547	1	Bearing Top Plate
6	23548	1	Top Plate
7	11228	2	Thrust Bearing
8	11813	3	Bearing Race
9	11814	1	Ball Bearing
10	23549	1	Angle Plate
11	11955	1	Roll Pin (1/4 Dia. X 3/4 Lg.)
12	11064	2	Needle Bearing
13	11261	2	Retaining Ring (1-1/8 Shaft)
14	23556	1	Shaft
15	11821	1	Woodruff Key
16	23557	1	Gear
17	30533	1	Pump End Plate
18	10001	12	Soc. Hd. Cap Screw (10-32 X 1-3/4 Lg.; Torque to 50 in. lbs.)
19	21091	1	Aluminum Coupling
20	11199	2	Needle Thrust Bearing (See diagram below)
23	10266	1	O-ring (1/4 X 3/8 X 1/16)
24	21272	1	Drive Gear
25	10303	1	O-ring (7/8 X 3/4 X 1/16)
26	10425	2	Compression Spring (3/8 O.D. X 3/4 Lg.)
27	20771	2	Poppet
28	40120	1	Pump Body
29	10427	1	Pipe Plug (1/8 NPTF)
30	10271	1	O-ring (11/16 x 1/2 X 3/32)
31	12389	1	PTFE Backup Washer (11/16 X 1/2 X 1/16)
32	20849	1	Spool
33	23255	1	Spring Guide
34	10426	1	Compression Spring (1" O.D. X 1-13/16 Lg.)
35	23256	1	Spring Guide

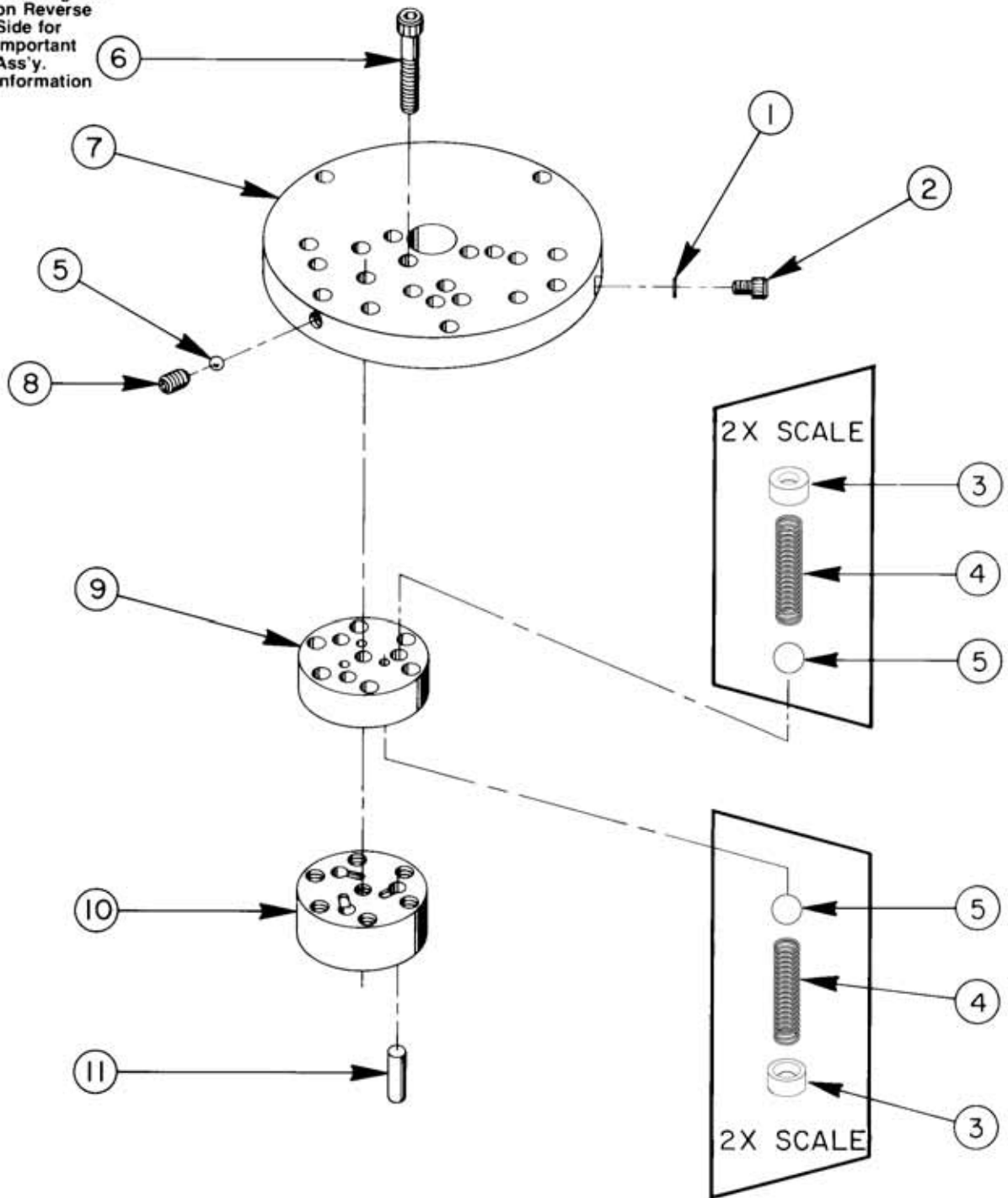
NEEDLE BEARING INSTALLATION SPECIFICATIONS



When replacing the needle bearings on the drive gear of the basic pump, the dimensions shown must be as specified.

HIGH PRESSURE PUMP ASSEMBLY (PART NO. 421265)

See Diagram
on Reverse
Side for
Important
Ass'y.
Information

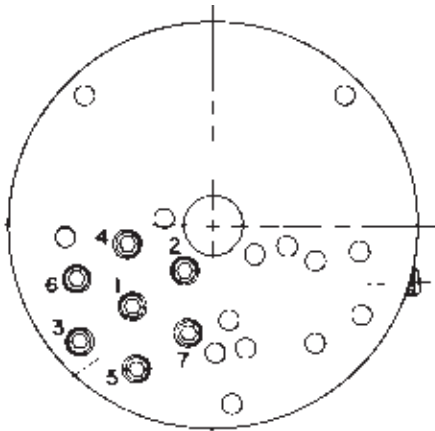


#33113 HIGH PRESSURE PUMP ASS'Y
(3 Pistons - 9/32 Dia.)

Item No.	Part No.	No. Req'd	Description
1	10442	1	Copper Washer (3/8 X 1/4 X 1/32)
2	10002	1	Soc. Hd. Cap Screw (1/4-20 NC X 3/8 Lg.; Torque to 140/160 in. lbs.)
3	*24549	6	Valve Guide
4	*10445	6	Compression Spring (.164 O.D. X .718 Lg.)
5	*12223	7	Steel Ball (3/16 Dia.)
6	*10023	7	Soc. Hd. Cap Screw (1/4-28 NF X 1-1/2 Lg.; Torque to 170/180 in. lbs.)
7	*50411	1	Top Plate (Aluminum)
8	10519	1	Soc. Set Screw (1/4-28 NC x 3/8 Lg.; Torque to 65/70 in. lbs.)
9	*40630	1	Valve Head
10	*41062	1	Pump Barrel
11	*21628	3	Piston

Consult factory when replacing items marked with an asterisk (*).

BOLT TIGHTENING SEQUENCE



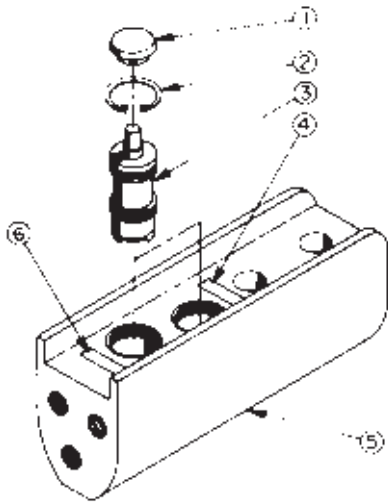
NOTE: Assemble in sequence shown. Lubricate under head and on threads. Torque to 180 in. lbs.

Refer to any operating instructions included with this product for detailed information about operation, testing, disassembly, reassembly, and preventive maintenance.

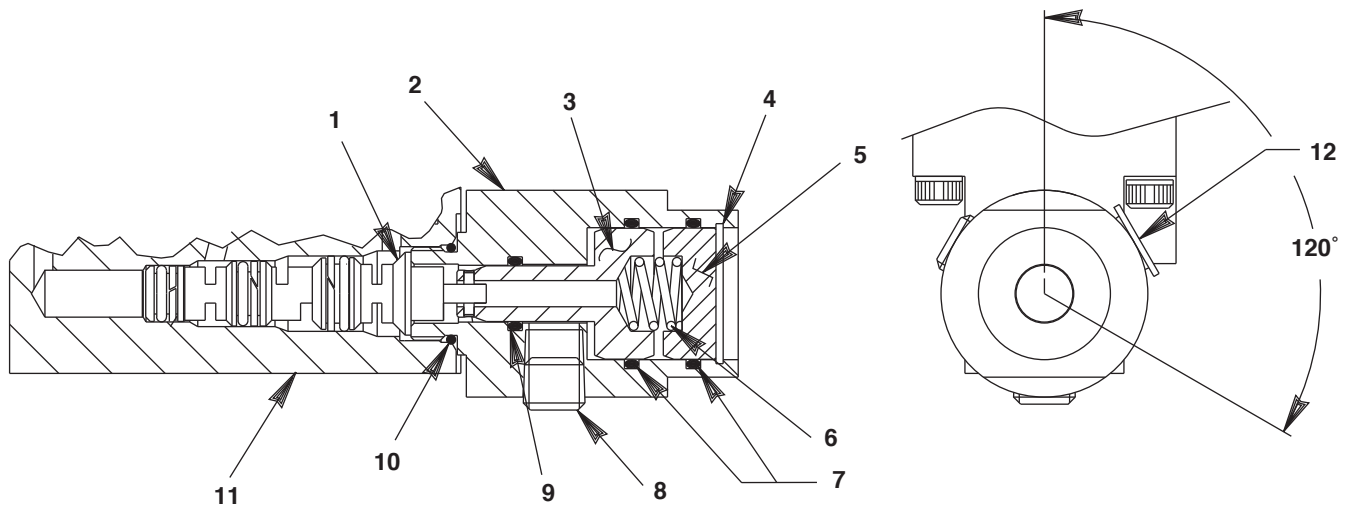
Items found in this parts list have been carefully tested and selected. **Therefore: Use only genuine Power Team replacement parts!**

Additional questions can be directed to our Technical Services Department.

HAND CONTROL ASSEMBLY (PART No. 421265)



Item No.	Part No.	No. Req'd	Description
1	206105	2	Push Button
2	11033	2	Retaining Ring
3	206104	2	Valve Cartridge (Including seals)
4	203769	1	Decal (Stop)
5	44024	1	Control Valve Body
6	203770	1	Decal (Run)

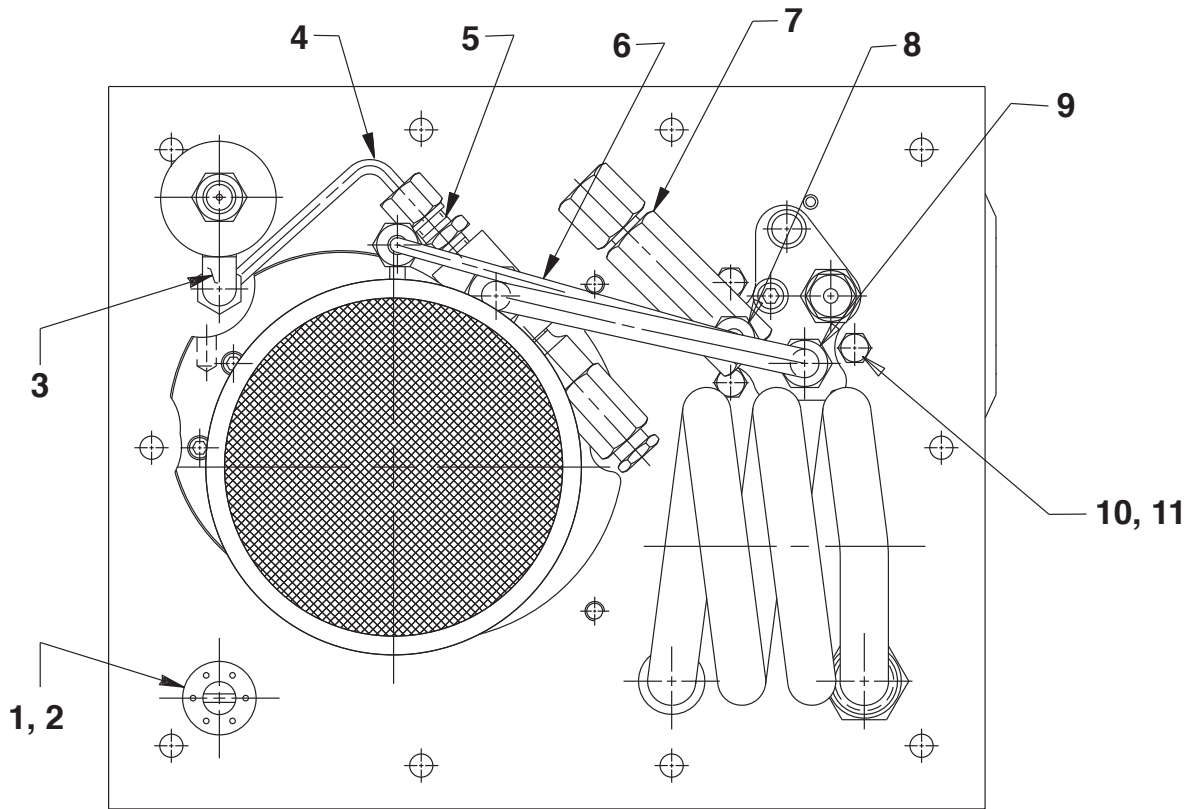


DIRECTIONAL VALVE (PART NO. 3000239)

Item No.	Part No.	No. Req'd	Description
1	351232	1	Valve, Spool
2	421249	1	Body, Valve
3	351231	1	Piston
4	16686	1	Ring, Retain Int 0.88 x .042
5	252105	1	Piston
6	11195	1	Spring (.49 OD X .75 X .05 WS)

Item No.	Part No.	No. Req'd	Description
7	10304	2	O-Ring Nitrile (-020) Nitrile .1 x .87
8	251279	2	Fitting, Plug (1/8 PTF)
9	10268	1	O-Ring Nitrile (-012) Nitrile .50 x .37
10	10301	1	O-Ring Nitrile (-014) Nitrile .62 x .50
11	113000167BK (ref)	1	Valve, Solenoid 3-Way open ctr.
12	15697	1	Cap, Plastic

COVER PLATE ASSEMBLY (BOTTOM VIEW)



Item No.	Part No.	No. Req'd	Description
1	20937	1	Vent Cap
2	200415	1	O-ring (13/16 X 5/8 X 3/32)
3	16177	1	90° Elbow Fitting
4	201570	1	Pressure Regulator Tube
5	14844	1	Straight Fitting
6	252118	1	Oil Line
7	21943	1	Accumulator
8	11173	1	Straight Fitting
9	10661	1	Straight Fitting
10	10008	3	Hex Hd. Cap Screw (1/4-20 UNC X 5/8 Lg.)
11	10245	3	Lock Washer