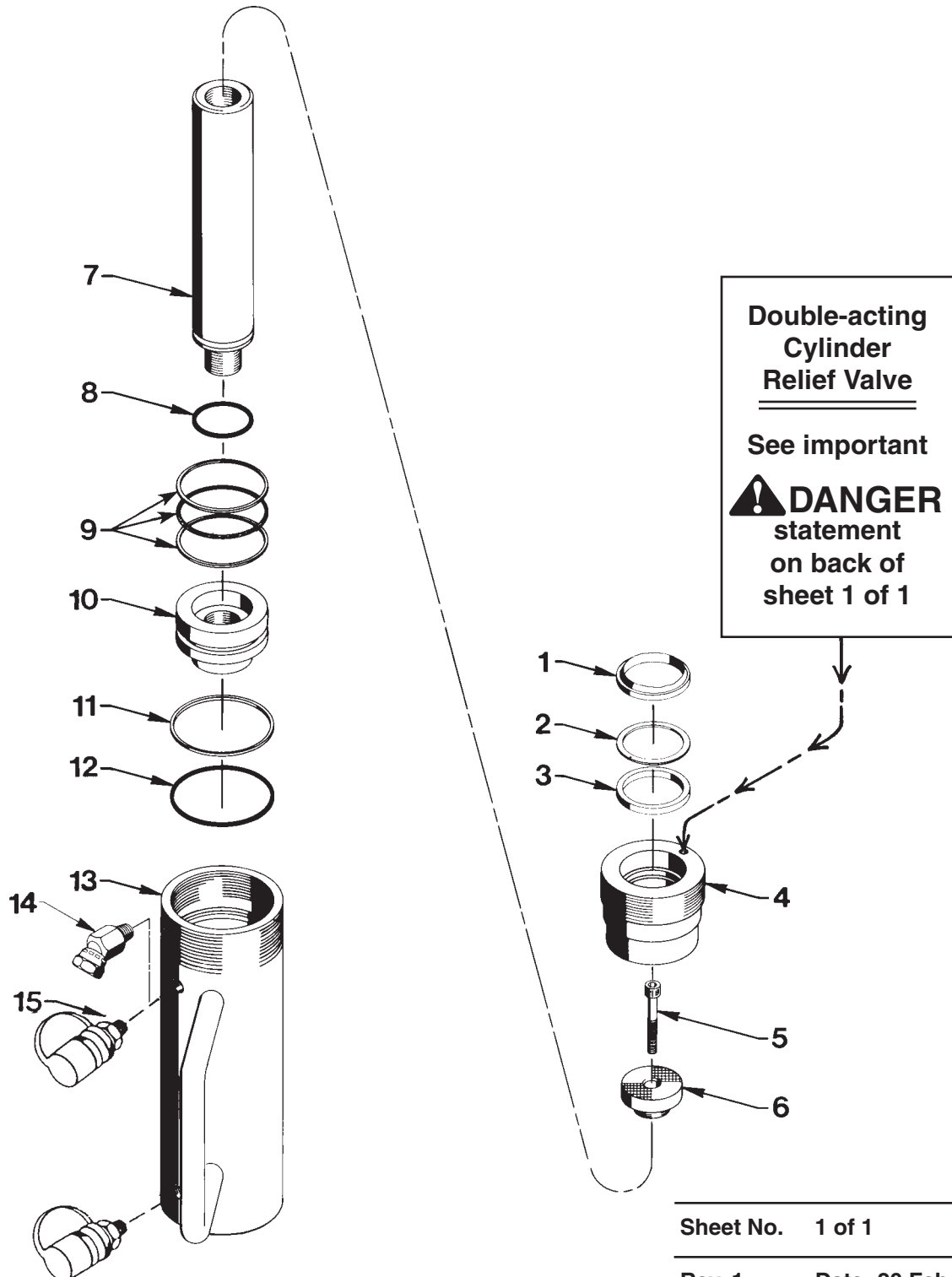


Parts List for:

7RD556
51682
RD556
RD5513

DOUBLE-ACTING HYDRAULIC CYLINDER

Max. Capacity: 55.2 Tons at 10,000 PSI



 **DANGER:** To help avoid possible serious personal injury or death,

- In the event that the cylinder retract port is ever restricted or plugged, a double-acting cylinder relief valve will help prevent excessive pressure from building in the cylinder. **DO NOT** attempt to adjust or service this relief valve! If oil leakage is detected from this relief valve, discontinue use of the cylinder immediately and contact **Power Team** or **OTC Technical Services**. Only **Power Team** or **OTC Authorized Hydraulic Service Centers** should service this relief valve.

Item No.	Part No.	No. Req'd	Description
1	*207721	1	Rod Wiper
2	*19152	1	Backup Washer (3" X 2 5/8 X .070, -334)
3	*19333	1	U-cup
4	51332	1	Retainer Nut (Torque to 100 ft. lbs.)
5	12866	1	Cap Screw (3/8-16 UNC X 2 1/4 Lg.)
6	38449	1	Serrated Insert
7	51333	1	Piston Rod (RD556 & 7RD556)
	51334	1	Piston Rod (RD5513 & 51682)
8	*19334	1	O-ring (2 5/8 X 2 3/8 X 1/8, -229)
9	*15381	1	T-seal & Backup Rings (Smooth side of Backup Ring must be against seal.)
10	43305	1	Piston Head (Torque to 200 ft. lbs.)
11	*19331	1	Backup Washer (4 1/4 X 4" X .048, -242)
12	*12599	1	O-ring (4 1/4 X 4" X .048, -242)
13	51335	1	Cylinder Body (RD556 & 7RD556)
	51336	1	Cylinder Body (RD5513 & 51682)
14	10648	1	45° Elbow (For 51682)
15	9596	2	Ram Half Coupler w/Dust Cap (For RD556 & RD5513)
	210916	2	Quick Coupler (For 7RD556)

PARTS INCLUDED BUT NOT SHOWN

*37782	1	Warning Decal
204627	1	Trade Name Decal (For RD556)
204628	1	Trade Name Decal (For RD5513)
206394	1	Trade Name Decal (For 51682)
210852	1	Trade Name Decal (For 7RD556)

Part numbers marked with an (*) asterisk are contained in Repair Kit No. 300005.

Refer to any operating instructions included with this product for detailed information about operation, testing, disassembly, reassembly, and preventive maintenance.

Items found in this parts list have been carefully tested and selected. **Therefore: Use only genuine replacement parts!**

Additional questions can be directed to our Technical Services Department.