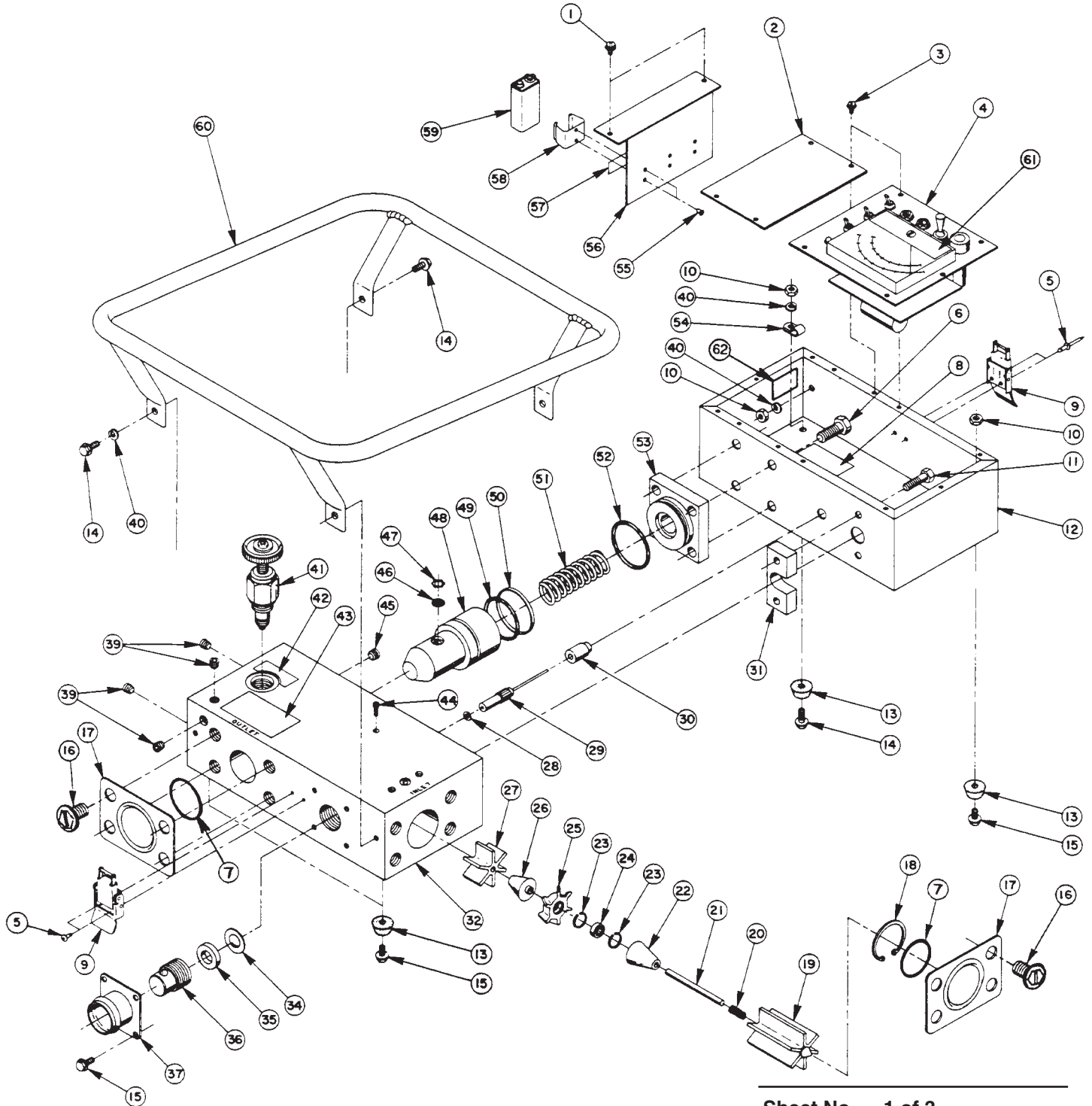


Parts List for:

**4223**  
**CAS-10283**  
**HT200 (Model "B")**

**IN-LINE HYDRAULIC FLOW TESTER**  
**200 GPM, 750 l/min.**



# Parts List, Form No. 100477, Back sheet 1 of 3

Item No.	Part No.	No. Req'd	Description	Item No.	Part No.	No. Req'd	Description
1	17486	2	Machine Screw (#6-32 UNC X 1/4 Lg.)	34	16542	1	Rupture Disc
2	37492BK2	1	Door	35	16541	1	Hold Down Ring
3	16972	9	Self-Tapping Screw (#4-24 X 1/4 Lg.)	36	36621	1	Burst Disc Retainer (Torque to 100/110 ft. lbs.)
4	42821	1	Meter Panel (See Sheet 3 of 3)	37	202166BK2	1	Hose Connector
5	16417	4	Pop Rivet	39	251222	4	Pipe Plug (1/16 NPTF)
6	16932	4	Hex Hd. Cap Screw (3/8-16 X 1" Lg.; Torque to 31/41 ft. lbs.)	40	10241	5	Lockwasher (for #10 bolt)
7	11303	2	O-ring (1-7/8 X 1-11/16 X 3/32)	41	16882	1	Cartridge Relief Valve (See Sheet 2 of 3)
8	16595	1	Recording Decal	42	*202076	1	Decal (Increase/Decrease)
9	16416	2	Catch	43	16678	1	Warning Decal
10	10197	4	Hex Nut (#10-24 UNC)	44	17458	1	Soc. Hd. Cap Screw (#4-40 X 3/8 Lg.; Torque to 4/6 in. lbs.)
11	10017	2	Hex Hd. Cap Screw (1/4-20 UNC X 1" Lg.; Torque to 80/85 in. lbs.)	45	15499	1	Pipe Plug (1/8 NPTF)
12	51086BK2	1	Electronic Box	46	207166	1	Filter Disk
13	16429	4	Recessed Bumper	47	11893	1	Retaining Ring (for 7/16" hole)
14	15415	5	Flg. Hex Hd. Screw (#10-24 X 3/8 Lg.)	48	36520	1	Poppet Filter Assembly (includes Items 46 & 47)
15	15415	4	Flg. Hex Hd. Screw (#10-24 X 3/8 Lg.; Torque to 20/25 in. lbs.)	49	*14739	1	O-ring (1-11/16 X 1-1/2 X 3/32)
16	16444	8	Button Plug (1/2 - 13UNC)	50	*16447	1	Glyd Ring
17	16443	2	Flange Cap	51	16969	1	Compression Spring (.970 O.D. X 3" Lg.)
18	10712	1	Retaining Ring (for 1-1/2 hole)	52	*16418	1	Disogrin O-ring (1-7/8 X 1-11/16 X 3/32)
19	36523	1	Flow Straightener (long)	53	36521	1	End Cap
20	16462	1	Compression Spring (1/4 O.D. X 3/8 Lg.)	54	16074	1	Cable Clamp
21	24758	1	Locating Pin	55	16422	6	Wide Roll Eyelet
22	202032	2	Cone (long)	56	37491BK2	1	Battery Panel
23	16455	2	Retaining Ring (for 1/2 hole)	57	16594	1	Battery Ident. Decal
24	16454	1	Ball Bearing	58	16421	3	Battery Holder
25	202036	1	Turbine Rotor	59	16543	3	Battery (9 Volt)
26	202031	1	Cone (short)	60	50955BK2	1	Wrap Around Bar Ass'y
27	36522	1	Flow Straightener (short)	61	203619	1	Decal
28	†16971	1	Nylon Washer (.040 thk.; used on all testers before 4-1-82)	61	60418	1	Complete Basic Tester (consists of Items 1-61)
	††207339	1	Nylon Washer (.020 thk.; used on all testers after 4-1-82)	62	*16595	1	Decal
29	†16479	1	Magnetic Pickup (used on all testers before 4-1-82)	<b>PARTS INCLUDED BUT NOT SHOWN</b>			
	††302827	1	Magnetic Pickup (used on all testers after 4-1-82)	251772	1	Decal	
30	202128	1	Guide Spacer	253179	3	Protective Battery Caps	
31	202030	1	Spacer	<b>OPTIONAL ACCESSORIES</b>			
32	60343	1	Flow Block	(included with some models but not shown)			
				37045	1	Auxiliary Power Cord (CAS-10283)	

Part numbers marked with an asterisk (\*) are contained in Repair Kit #300310.

†Must be ordered as a set.

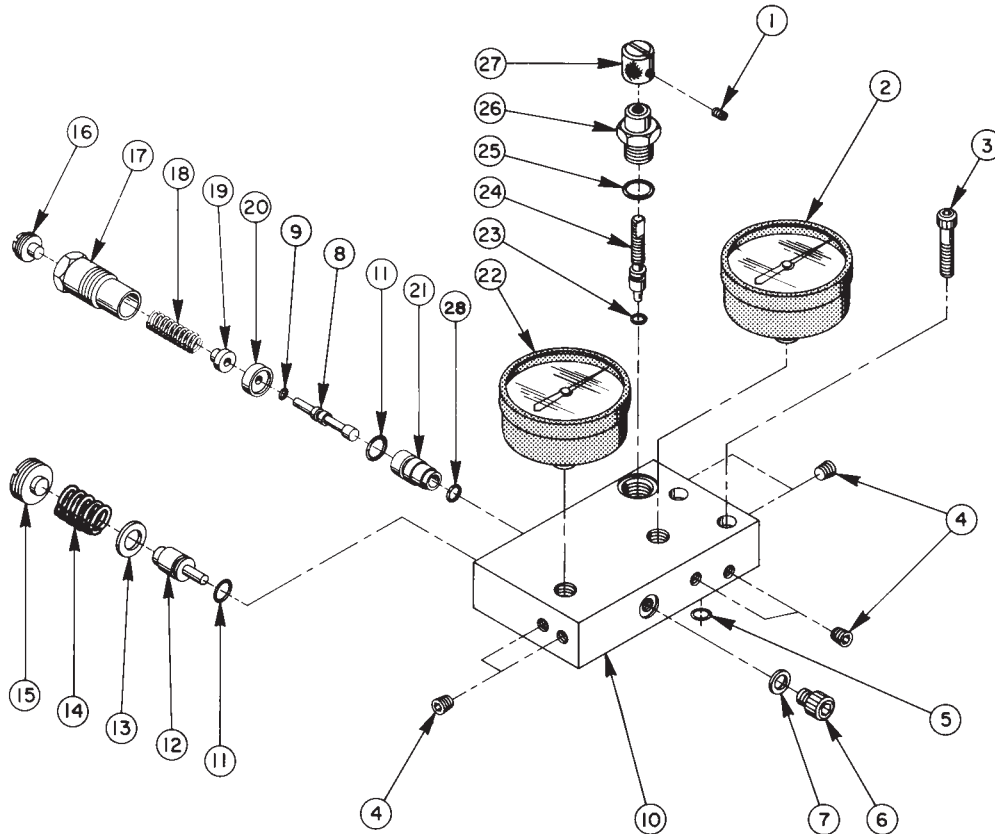
††Must be ordered as a set.

Refer to any operating instructions included with this product for detailed information about operation, testing, disassembly, reassembly, and preventive maintenance.

Items found in this parts list have been carefully tested and selected. **Therefore: Use only genuine replacement parts!**

Additional questions can be directed to our Technical Services Department.

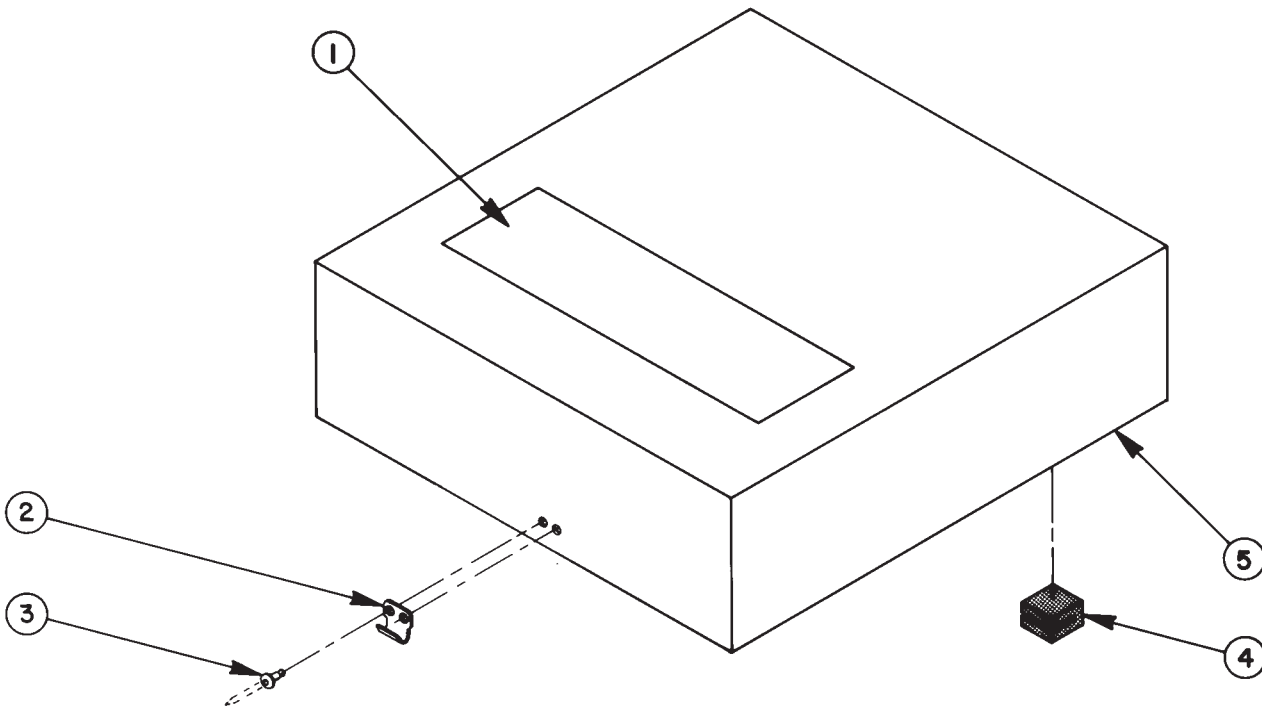
## DUAL PRESSURE GAUGE ASSEMBLY



Item No.	Part No.	No. Req'd	Description	Item No.	Part No.	No. Req'd	Description
1	10132	1	Set Screw (#8-32 UNC X 1/4)	15	200020	1	Plug
2	11637	1	High Pressure Gauge	16	27850	1	Adjusting Screw
	17967	1	Liquid-Filled Gauge (0-6000 PSI; optional)	17	33414	1	Spring Retainer
3	10020	2	Soc. Hd. Cap Screw (1/4-20 UNC X 1-1/4 Lg.)	18	13165	1	Compression Spring (3/8 O.D. X 1-1/2 Lg.)
4	11084	6	Pipe Plug (1/16 NPTF)	19	27805	1	Spring Button
5	*10266	1	O-ring (3/8 X 1/4 X 1/16)	20	27806	1	Guide Collar
6	25683	1	Special Cap Screw	21	27783	1	Guide
7	*11031	1	Copper Washer (15/32 X 5/16 X 1/32)	22	11636	1	Low Pressure Gauge
8	27786	1	Spool (See Form #102461 for correct installation)	22	17966	1	Liquid-Filled Gauge (0-600 PSI; optional)
9	*10264	1	O-ring (1/4 X 1/8 X 1/16)	23	*10265	1	O-ring (5/16 X 3/16 X 1/16)
10	50445	1	Dual Gauge Block	24	200686	1	Stem
11	*10268	2	O-ring (1/2 X 3/8 X 1/16)	25	*10300	1	O-ring (5/8 X 15/32 X 5/64)
12	200021	1	Plunger (See Form #102461 for correct installation)	26	33415	1	Guide
13	14968	1	Washer (3/4 X 25/64 X 1/16)	27	200685	1	Knob
14	14979	1	Compression Spring (3/4 O.D. X 1" Lg.)	28	*12522	1	O-ring (3/8 X 1/4 X 1/16)
					33422	1	Dual Gauge Ass'y (consists of Items 1-28)

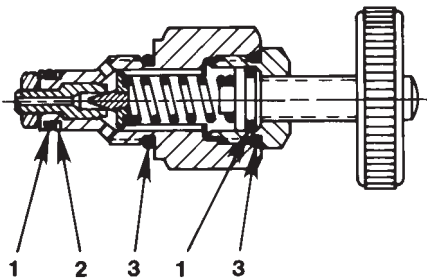
Part numbers marked with an asterisk (\*) are contained in Repair #300310.

### COVER ASSEMBLY



Item No.	Part No.	No. Req'd	Description
1	37716	1	Trade Name Decal (HT200)
	304671	1	Trade Name Decal (4223)
	204558	1	Trade Name Decal (CAS-10283)
2	16979	2	Catch
3	16417	4	Pop Rivet
4	16420	1	Channel Grommet
5	60337	1	Cover (unpainted)
	60337WH2	1	Cover Assembly (For CAS-10283; consists of Items 1-5)
	60420OR9	1	Cover Assembly (For HT200; consists of Items 1-5)
	60420BL2	1	Cover Assembly (For 4223; consists of Items 1-5)

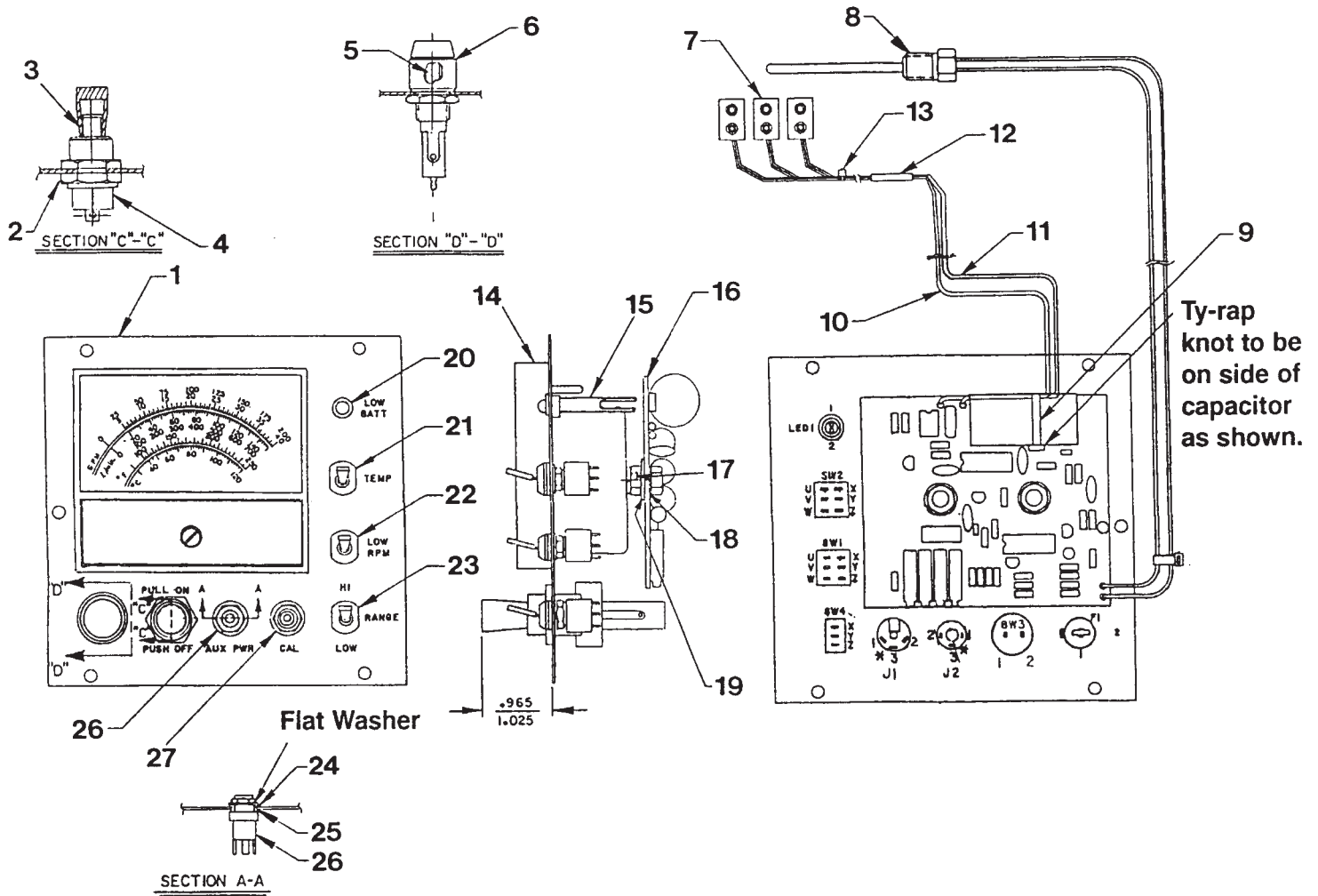
### CARTRIDGE RELIEF VALVE ASSEMBLY



Item No.	Part No.	No. Req'd	Description
1	*10268	2	O-ring (1/2 X 3/8 X 1/16)
2	*11863	1	Backup Washer (1/2 X 3/8 X 1/16)
3	*10527	2	O-ring (13/16 X .644 X .087)

Part numbers marked with an asterisk (\*) are contained in Repair Kit #300310.

### METER PANEL ASSEMBLY



Item No.	Part No.	No. Req'd	Description
1	51091	1	Meter Panel
2	211314	1	Hex Nut
3	211305	1	Tip
4	45384	1	Switch
5	17811	1	Fuse (1/2 Amp, 250 V.)
6	18292	1	Fuseholder
7	17743	3	Battery Strap
8	16445	1	Thermistor Probe
9	13156	1	Non-releaseable Cable Tie
10	104392	.67 Ft.	Wire (black, 22 ga.)
11	104394	.67 Ft.	Wire (red, 22 ga.)
12	234373	2	Solder Sleeve Splice
13	12313	3	Cable Tie
14	37866	1	Meter Assembly

Item No.	Part No.	No. Req'd	Description
15	16782	.1 Ft.	Heat Shrink Tubing
16	51728	1	Printed Circuit Board
17	104473	2	Brass Hex Nut (#10-32 UNF)
18	11456	2	Washer (#10 external tooth)
19	10440	2	Special Washer
20	251650	1	LED (red)
21	19920	1	Toggle Switch
22	17497	1	Toggle Switch
23	16436	1	Toggle Switch
24	18335	1	Phenolic Washer
25	18326	1	Swedged Fibre Washer
26	16433	1	Jack
27	16435	1	Phone Jack
	42821	1	Meter Panel (consists of Items 1-27)