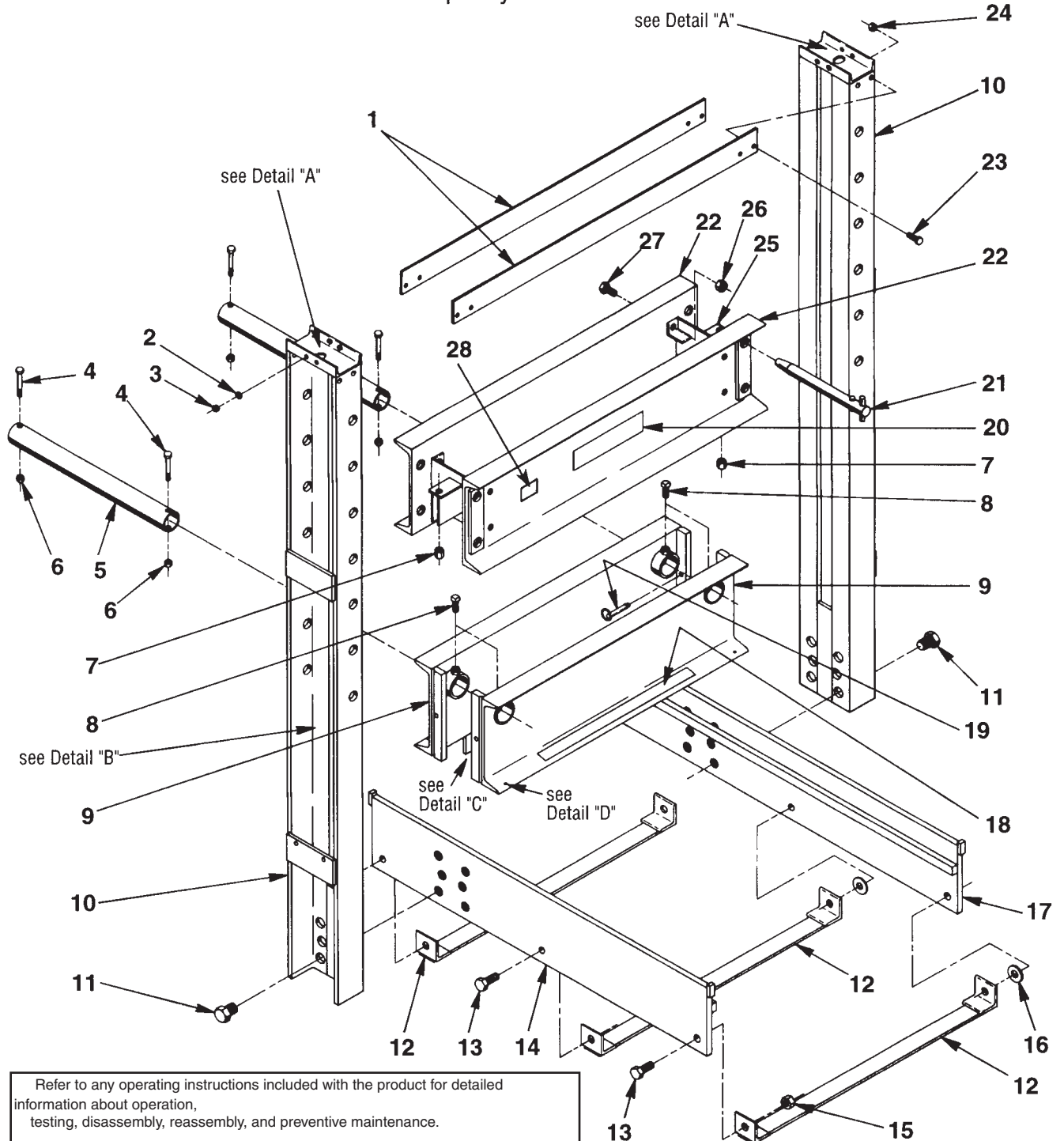


Roll Bed Press Frame

Max. Capacity: 150 / 200 Tons



Refer to any operating instructions included with the product for detailed information about operation, testing, disassembly, reassembly, and preventive maintenance.

Items found in this parts list have been carefully tested and selected. **Therefore: Use only genuine replacement parts!**

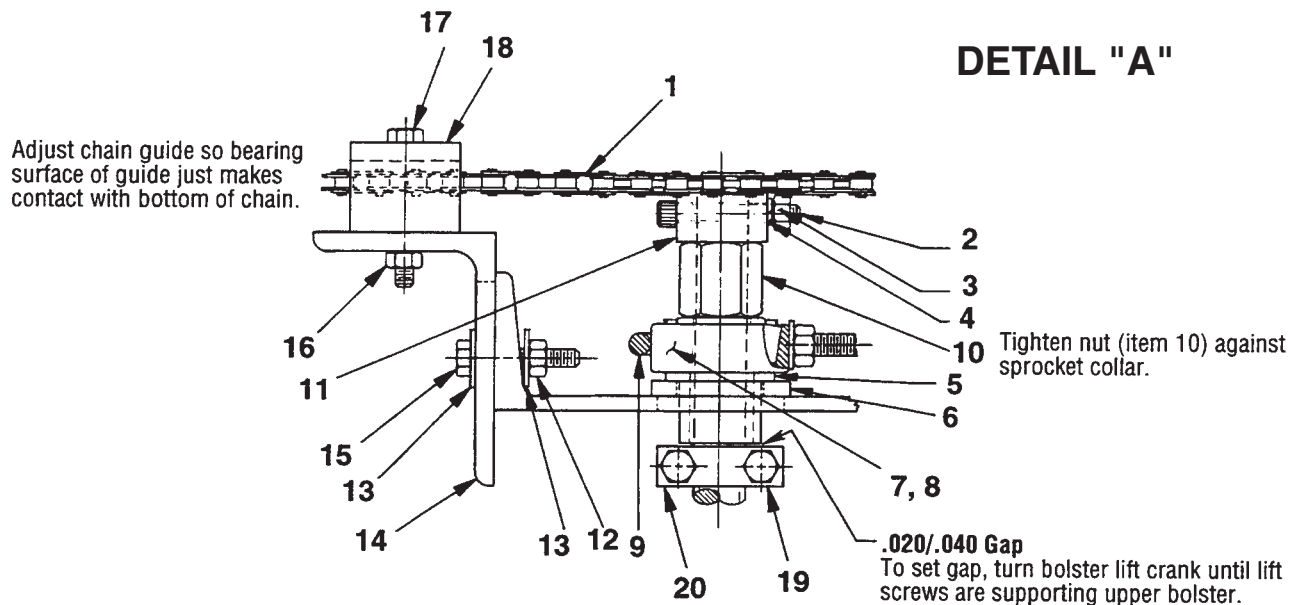
Additional questions can be directed to one of our Technical Services Departments.

Parts List, Form No. 100786, Back sheet 1 of 2

Item No.	Part No.	No. Req'd	Description	Item No.	Part No.	No. Req'd	Description
1	45667	2	Strap	16	10238	*AR	Shim
2	10230	4	Washer (for 5/16" bolt)	17	52668	1	Right Side Plate
3	13116	4	Locknut (5/16-18)	18	45703	1	Warning Decal
4	10093	4	Cap Screw (1/2-13 x 4")	19	15997	2	Cotterless Hitch Pin
5	304988	2	Guide Tube	20	36588	1	Trade Name Decal
6	15013	4	Locknut (1/2-13)	21	44466	4	Cross Pin
7	206675	2	Nut	22	52338OR9	2	Upper Bolster
8	210250	4	Set Screw (3/4-10 x 1-3/4")	23	19656	8	Cap Screw (5/8-11 x 2-3/4")
9	61211OR9	2	Lower Bolster	24	15316	8	Locknut (torque to 70/80 ft. lbs.)
10	61200	2	Upright	25	52340	2	Bolster Spacer
11	210256	12	Screw (torque to 800/900 ft. lbs.)	26	10216	8	Nut (3/4-10; torque to 140/160 ft. lbs.)
12	45658	3	Tie Strap	27	10119	8	Cap Screw (3/4-10 x 1-3/4")
13	12697	6	Cap Screw (1"-8 x 3")	28	206043	1	Instruction Decal
14	52667	1	Left Side Plate				
15	22205	6	Nut (1"-8)				

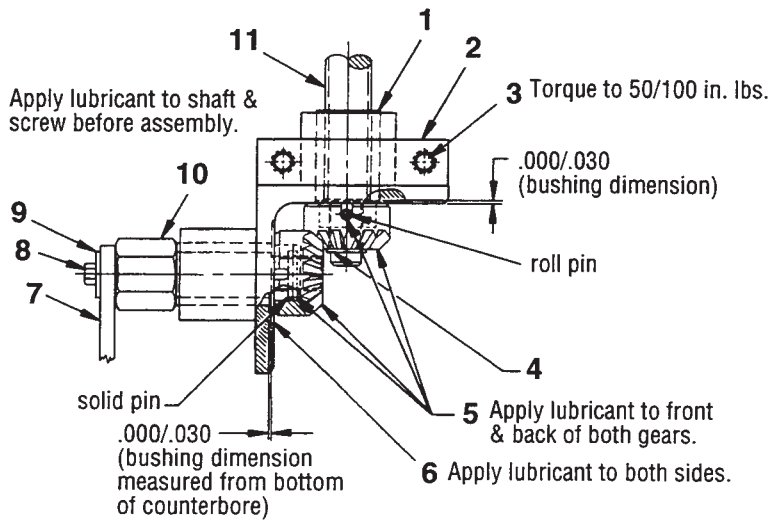
* As required

Shaded area reflects the last revision made to this form.



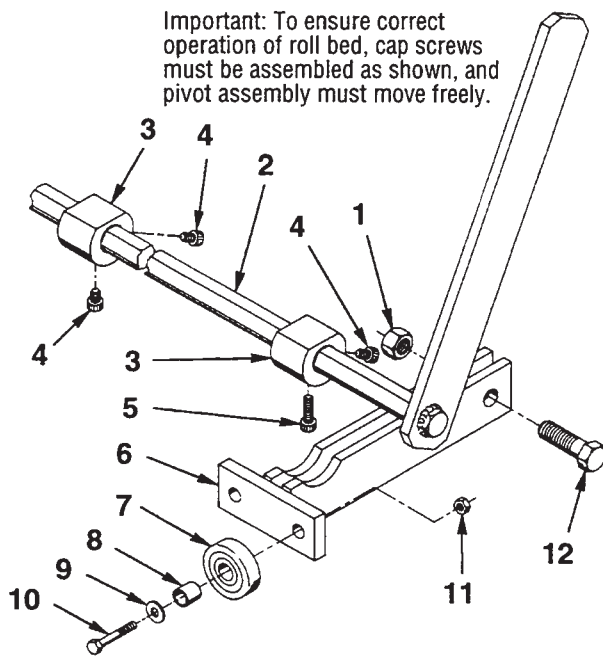
Item No.	Part No.	No. Req'd	Description	Item No.	Part No.	No. Req'd	Description
1	210326	1	Chain	10	206675	2	Nut
2	10854	2	Cap Screw (1/4-20 x 1-3/4")	11	305016	2	Bolster Sprocket
3	12809	2	Locknut (1/4-20)	12	12013	4	Nut
4	15823	2	Lockwasher (for 1/4" bolt)	13	10258	8	Washer (for 3/8" bolt)
5	19306	2	Flange Sleeve Bearing	14	305938	2	Bracket
6	220452	2	Washer	15	10055	4	Cap Screw
7	210546	2	Bearing Cone (apply lubricant before assembly)	16	12809	4	Locknut (1/4-20)
8	210547	2	Bearing Cup (apply lubricant before assembly)	17	13037	4	Cap Screw (1/4-20 x 2")
9	210311	2	U-bolt	18	46021	2	Block
				19	10021	4	Cap Screw (1/4-20 x 1-1/2")
				20	309171	2	Locknut

DETAIL "B"



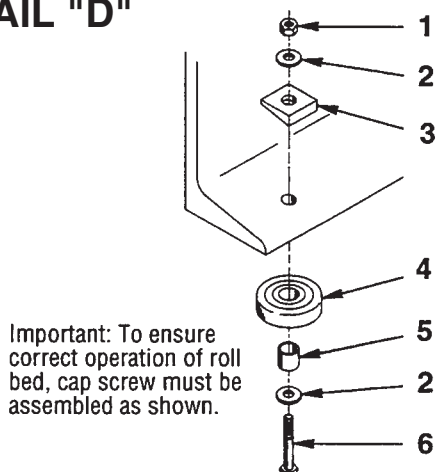
Item No.	Part No.	No. Req'd	Description
1	210548	2	Sleeve Bearing
2	47706	1	Gear Bracket
3	206593	4	Set Screw
4	12108	1	Retaining Ring
5	210308	1	Gear Repair Kit (includes 2 miter gears, 1 solid pin, and 1 roll pin)
6	204269	1	Shim
7	25852	1	Handle
8	10005	1	Cap Screw (1/4-20 x 1/2")
9	10229	1	Washer (for 1/4" bolt)
10	305015	1	Shaft
11	45705	2	Screw

DETAIL "C"



Item No.	Part No.	No. Req'd	Description
1	15316	4	Locknut (5/8-11; torque to 50 ft. lbs. and unscrew 1/2 to 1 full turn)
2	45654	2	Handle
3	304979	4	Cam
4	11006	6	Cap Screw (5/16-18 x 3/8"; use loctite at assembly; torque to 20/30 ft. lbs.)
5	11365	2	Cap Screw (5/16-18 x 1"; torque to 20/30 ft. lbs.; screw must be assembled into drill point in item 2)
6	45655	4	Bracket
7	210243	8	Bearing
8	210247	8	Insert
9	10229	8	Washer (for 1/4" bolt)
10	10024	8	Cap Screw (1/4-20 x 1-3/4")
11	12809	8	Locknut (1/4-20)
12	19693	4	Cap Screw (5/8-11 x 2")

DETAIL "D"



Item No.	Part No.	No. Req'd	Description
1	12809	4	Locknut (1/4-20)
2	10229	8	Washer (for 1/4" bolt)
3	11625	4	Beveled Washer
4	210243	4	Bearing
5	210247	4	Insert
6	13037	4	Cap Screw (1/4-20")