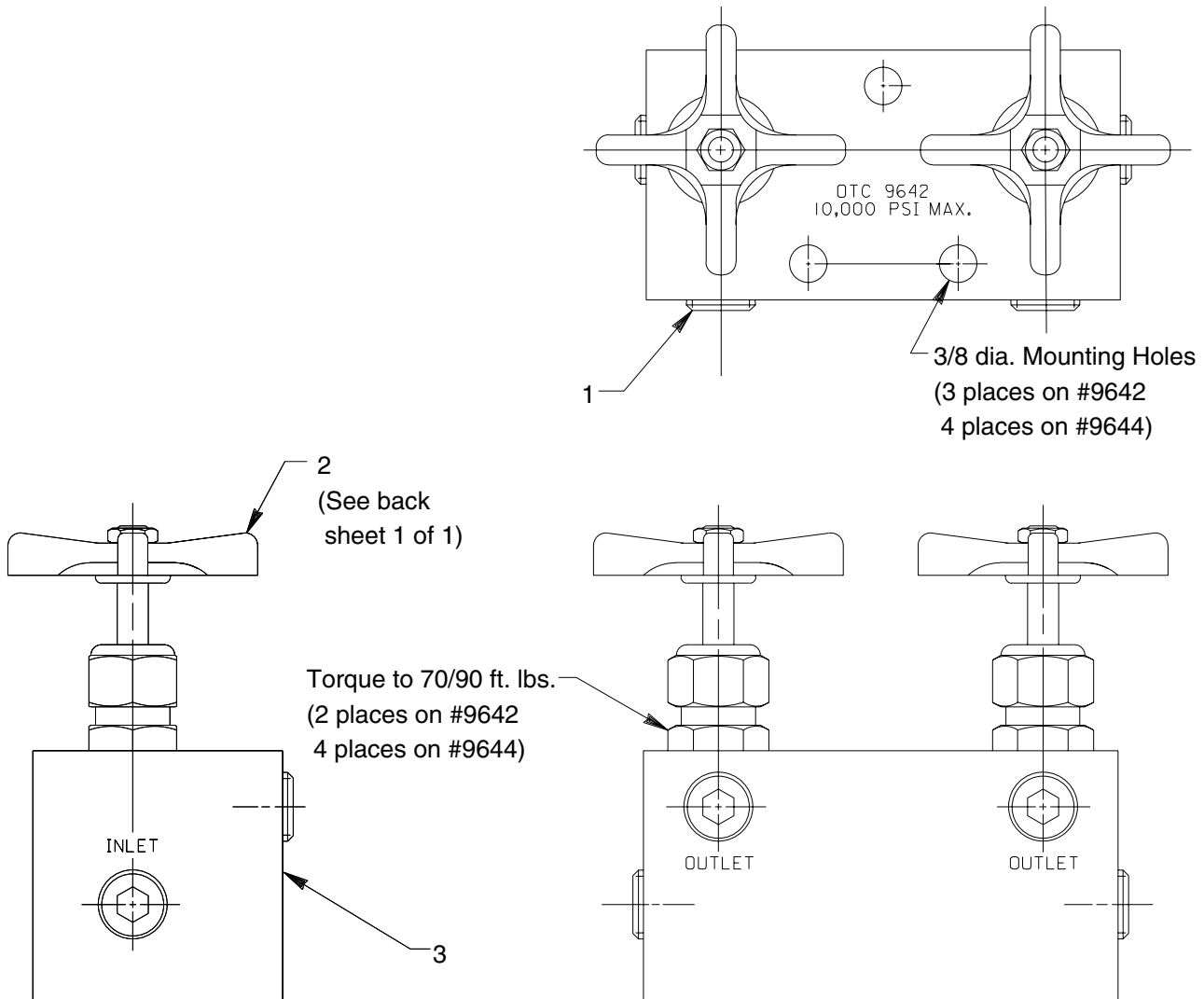


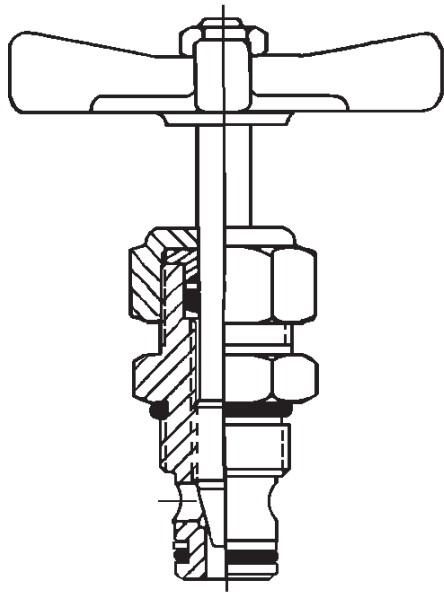
TWO PORT AND FOUR PORT REMOTE METERING VALVE

Max. Capacity: 10,000 PSI



Item No.	Part No.	No. Req'd	Description
1	10909	4	Pipe Plug (3/8 NPTF; For 9642)
	10909	6	Pipe Plug (3/8 NPTF; For 9644)
2	38983	2	Needle Cartridge Valve (For 9642; See back sheet 1 of 1)
	38983	4	Needle Cartridge Valve (For 9644; See back sheet 1 of 1)
3	420074	1	Manifold Metering Valve Body (For 9642)
	58055	1	Manifold Metering Valve Body (For 9644)

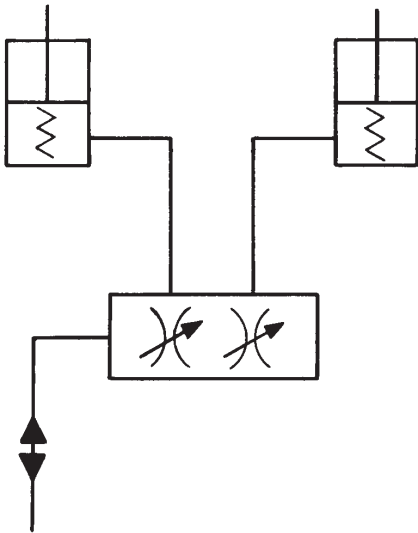
VITON SEAL REPLACEMENTS for CARTRIDGE NEEDLE VALVE



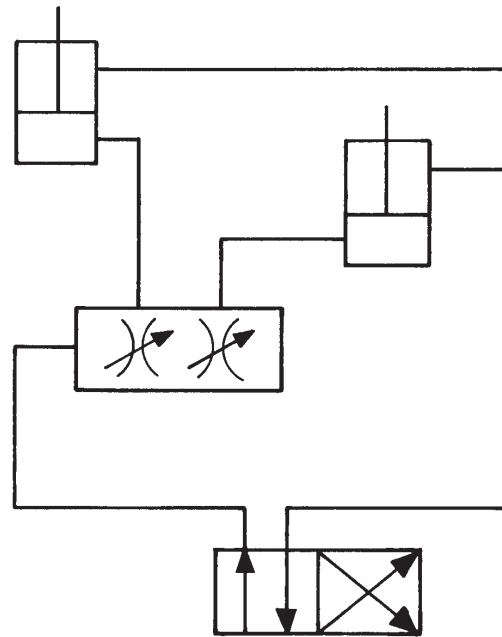
Item No.	Part No.	No. Req'd	Description
1	*250335	2	Backup Washer (-109; For 9642)
	†250335	4	Backup Washer (-109; For 9644)
2	*250334	2	O-ring (1/2 x 5/16 x .103, -109; For 9642)
	†250334	4	O-ring (1/2 x 5/16 x .103, -109; For 9644)
3	*11450	2	O-ring (.818 x .644 x .087, -908; For 9642)
	†11450	4	O-ring (.818 x .644 x .087, -908; For 9644)
4	*15500	2	Backup Washer (-013; For 9642)
	†15500	4	Backup Washer (-013; For 9644)
5	*18975	2	O-ring (9/16 x 7/16 x 1/16, -013; For 9642)
	†18975	4	O-ring (9/16 x 7/16 x 1/16, -013; For 9644)

*Order Viton Seal Kit No. 300592 for Metering Valve #9642.
 †Order Viton Seal Kit No. 300593 for Metering Valve #9644.

TYPICAL APPLICATIONS



Two or more single-acting cylinders, operated simultaneously, or independently of one another, using a single power source.



Two or more double-acting cylinders, operated simultaneously, or independently of one another, using a single power source. Manifold needle valves meter flow in both extend and retract modes. They also serve as load-holding valves. Pressure relief is at the power source.