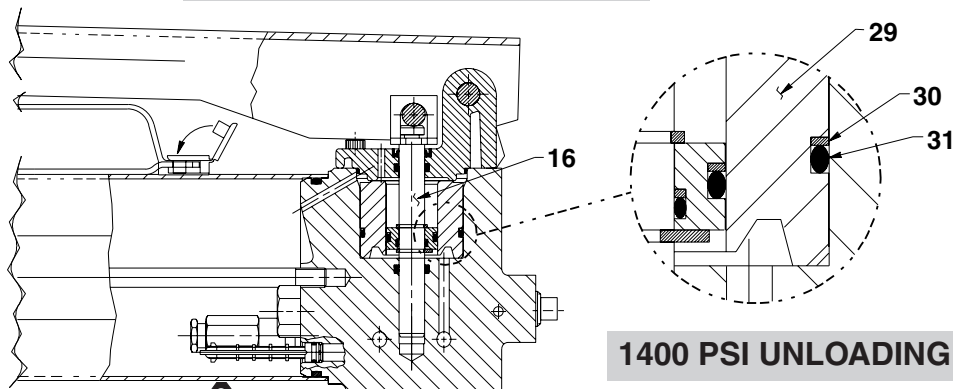
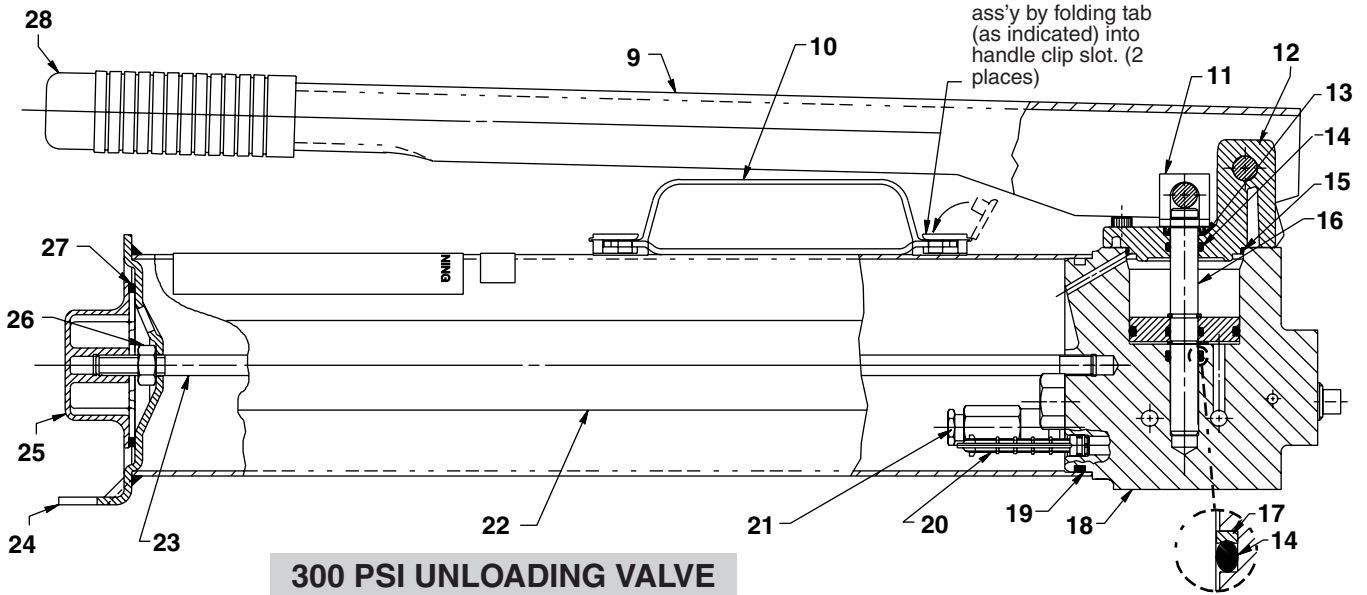
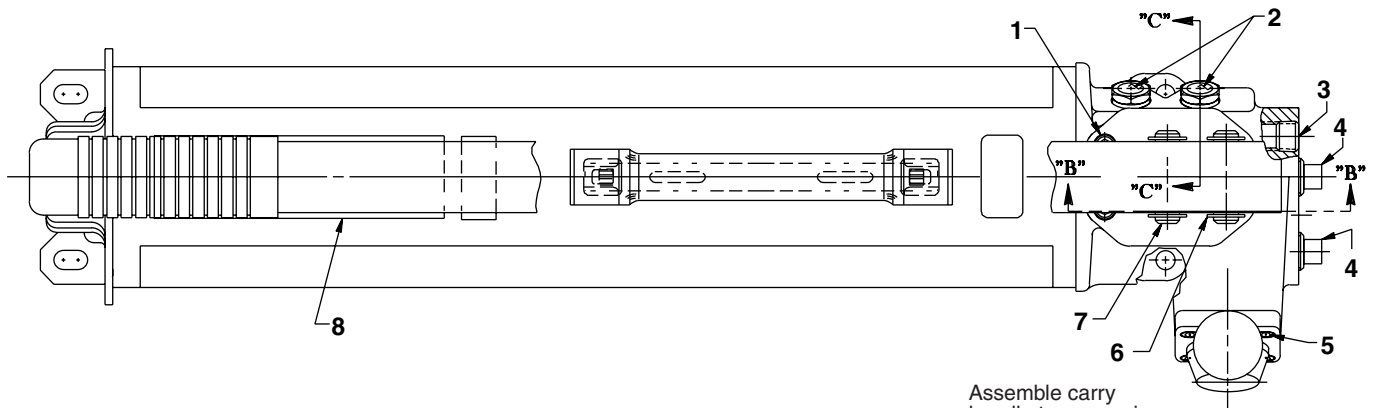


Parts List for:

P157D	P159D Series
P157D Series	P159D-PFAFF
P159D	

MODEL B TWO STAGE HYDRAULIC HAND PUMP With 4-Way Valve



Note: Shaded areas reflect last revision(s) made to this form.

WARNING: To help prevent personal injury, all repairs MUST be performed by a qualified person trained in the repair of hydraulic equipment.

Parts List, Form No. 101428, Back sheet 1 of 2

Item No.	Part No.	No. Req'd	Description	Item No.	Part No.	No. Req'd	Description
1	251564	4	Cap Screw (1/4-20 UNC x 3/4 Lg.)	19	*214693	1	O-ring (3-7/8 X 3-5/8 X 1/8)
2	215907	2	Decal ("DO NOT REMOVE")		†19048	1	O-ring (3-7/8 X 3-5/8 X 1/8)
3	14972	1	Plug		•214072	1	O-ring (3-7/8 X 3-5/8 X 1/8)
4	11127	2	Plug (3/8 NPTF)	20	•†*215075	1	Filter Plug
5	11434	4	Cap Screw (#10-24 UNC X 1/2 Lg.)	21	21278	1	Relief Valve Assembly (See note below)
6	211743	4	Retaining Ring (For 7/16 shaft)	22	308621	1	Trade Name Decal (For P159D)
7	211742	2	Dowel Pin (7/16 dia. X 1-3/4 Lg.)		308623	1	Trade Name Decal (For P157D)
8	•†*305977	1	Warning Decal	23	211547	1	Tie Rod
9	61806OR9	1	Handle	24	58041	1	Reservoir Assembly
10	58048	1	Carry Handle	25	52711	1	Reservoir Cap (Torque to 50/60 in. lbs.)
11	350923	1	Piston Clip	26	10204	1	Hex Nut (3/8-16; Torque to 150/170 in. lbs.)
12	58485WH2	1	Pump Body Cap (Iron)	27	*212739	1	Fill Cap Gasket
13	*15092	1	Rod Wiper		†250731	1	Fill Cap Gasket
	†19321	1	Rod Wiper		•250732	1	Fill Cap Gasket
	•250841	1	Rod Wiper	28	211769	1	Handle Grip
14	*10271	2	O-ring (11/16 X 1/2 X 3/32)	29	308486	1	Adapter (For P157D)
	†11445	2	O-ring (11/16 X 1/2 X 3/32)	30	•†*19137	1	O-ring Backup Washer (2" X 1 13/16 X 3/64; For P157D)
	•19406	2	O-ring (11/16 X 1/2 X 3/32)				
15	*251603	1	O-ring (2-1/8 x 2" x 1/16)	31	*10913	1	O-ring (2" X 1-13/16 X 3/32; For P157D)
	†18985	1	O-ring (2-1/8 x 2" x 1/16)		†19015	1	O-ring (2" X 1-13/16 X 3/32)
	•251604	1	O-ring (2-1/8 x 2" x 1/16)		•14287	1	O-ring (2" X 1-13/16 X 3/32)
16	251336	1	Piston Assembly (Nitrile)				
	251514	1	Piston Assembly (Viton)				
	251515	1	Piston Assembly (EPR)				
	251377	1	Piston Assembly (Nitrile)				
	251516	1	Piston Assembly (Viton)				
	251517	1	Piston Assembly (EPR)				
17	*213987	1	O-ring Backup Washer (11/16 X 1/2 X 3/64)				
18	64506	1	Pump Body				

For P157D
For P159D & P159D-PFAFF

PARTS INCLUDED BUT NOT SHOWN

†205724	1	Decal (Viton seals)
308588	1	Optional Handle Retainer
•250328	1	Decal (EPR seals)

Part numbers marked with an asterisk (*) are contained in Standard Repair Kit No. 300692.

Part numbers marked with a dagger (†) are contained in Viton Seal Kit No. 300693.

Part numbers marked with a bullet (•) are contained in EPR Seal Kit No. 300694.

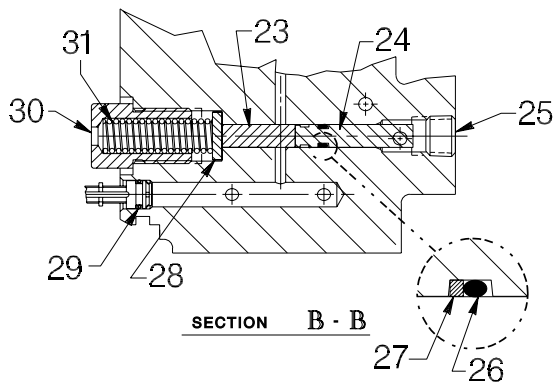
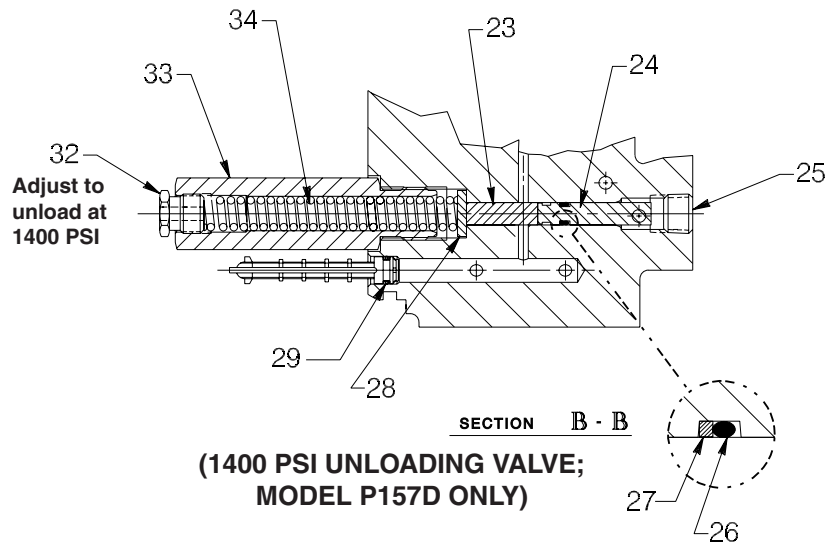
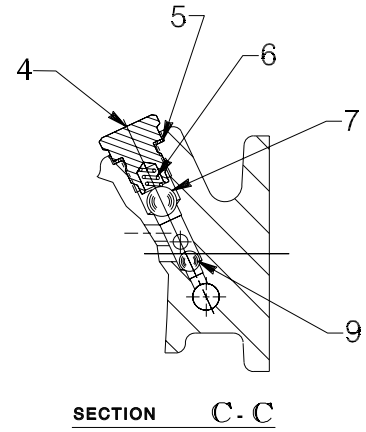
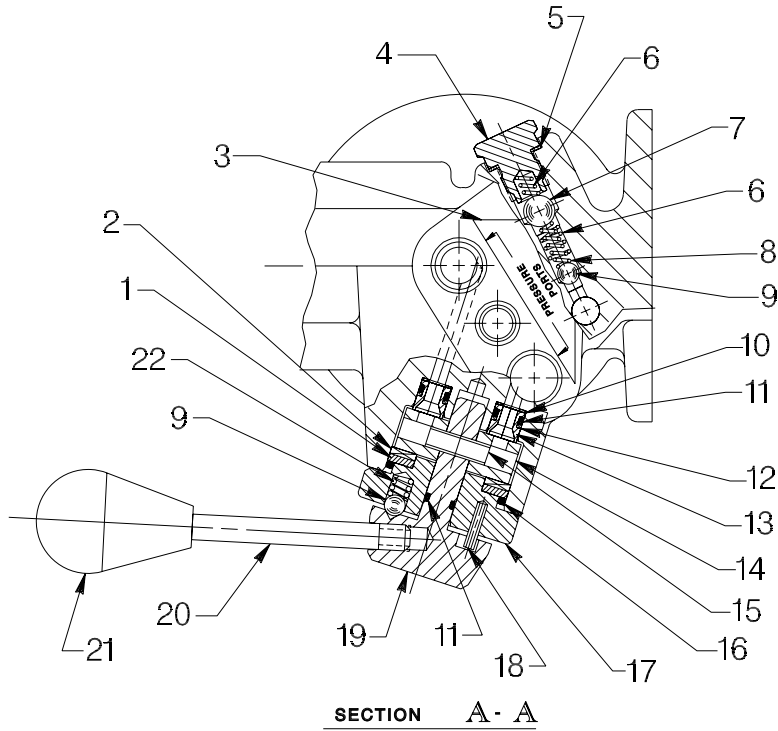
NOTE

Standard relief valves are set at 10,100/10,700 PSI.

Relief valves pre-set at special settings are available.

Refer to your pump model number or contact Power Team Technical Services.

SECTION VIEWS



Parts List, Form No. 101428, Back sheet 2 of 2

Item No.	Part No.	No. Req'd	Description
1	12189	1	Needle Thrust Bearing Race
2	12188	1	Needle Thrust Bearing
3	215302	1	Decal
4	305975	2	Valve Screw (Torque to 350/370 in. lbs.)
5	*14874	2	Copper Washer (.700 X 1/2 X 1/32 Thk.)
6	*10444	3	Compression Spring (3/16 I.D. X 13/32 Lg.)
7	*10378	2	Steel Ball (3/8 dia.)
8	*211797	1	Compression Spring (5/32 O.D. X 5/8 Lg.)
9	*10375	3	Steel Ball (1/4 dia.)
10	*12187	3	Spring Washer (#10 style)
11	*10266	4	O-ring (3/8 X 1/4 X 1/16)
	†11438	4	O-ring (3/8 X 1/4 X 1/16)
	•17715	1	O-ring (3/8 X 1/4 X 1/16)
12	•†*12184	3	Backup Washer (3/8 X 1/4 X .048)
13	24570	3	Shear Seal
14	32071	1	Rotor
15	10716	1	Roll Pin (1/4 dia. X 3/4 Lg.)
16	*10930	1	O-ring (1-1/2 X 1-5/16 X 3/32)
	†19008	1	O-ring (1-1/2 X 1-5/16 X 3/32)
	•13455	1	O-ring (1-1/2 X 1-5/16 X 3/32)
17	25821	1	Cover
18	11587	1	Roll Pin (1/8 dia. X 1/2 Lg.)
19	32070	1	Stem
20	24564	1	Stud
21	12821	1	Knob
22	*12195	1	Compression Spring (1/4 O.D. X 1/2 Lg.)
23	14588	1	Dowel Pin
24	252275	1	Unloading Valve Piston Kit
25	14972	2	Plug
26	*10265	1	O-ring (5/16 X 3/16 X 1/16)
	†11437	1	O-ring (5/16 X 3/16 X 1/16)
	*17714	1	O-ring (5/16 X 3/16 X 1/16)
27	•†*15174	1	O-ring Backup Washer (5/16 X 3/16 X 3/64)
28	214692	1	Disc
29	*12557	1	O-ring (11/32 X 7/32 X 1/16)
	†18973	1	O-ring (11/32 X 7/32 X 1/16)
	*215375	1	O-ring (11/32 X 7/32 X 1/16)
30	308430	1	Spring Retainer (For P159D)
31	214694	1	Compression Spring (For P159D)
32	305912	1	Valve Adjusting Screw (For P157D)
33	308488	1	Spring Retainer (For P157D)
34	214808	1	Compression Spring (15/32 O.D. X 4-7/16 Lg.; For P157D)

Part numbers marked with an asterisk (*) are contained in Standard Repair Kit No. 300692.

Part numbers marked with a dagger (†) are contained in Viton Seal Kit No. 300693.

Part numbers marked with a bullet (•) are contained in EPR Seal Kit No. 300694.

Refer to any operating instructions included with this product for detailed information about operation, testing, disassembly, reassembly, and preventive maintenance.

Items found in this parts list have been carefully tested and selected. **Therefore: Use only genuine Power Team replacement parts!**

Additional questions can be directed to our Technical Services Department.