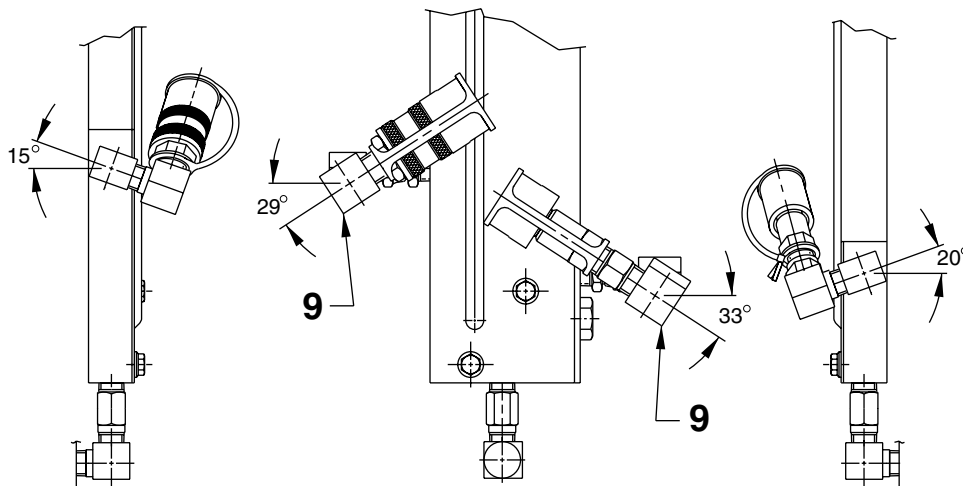
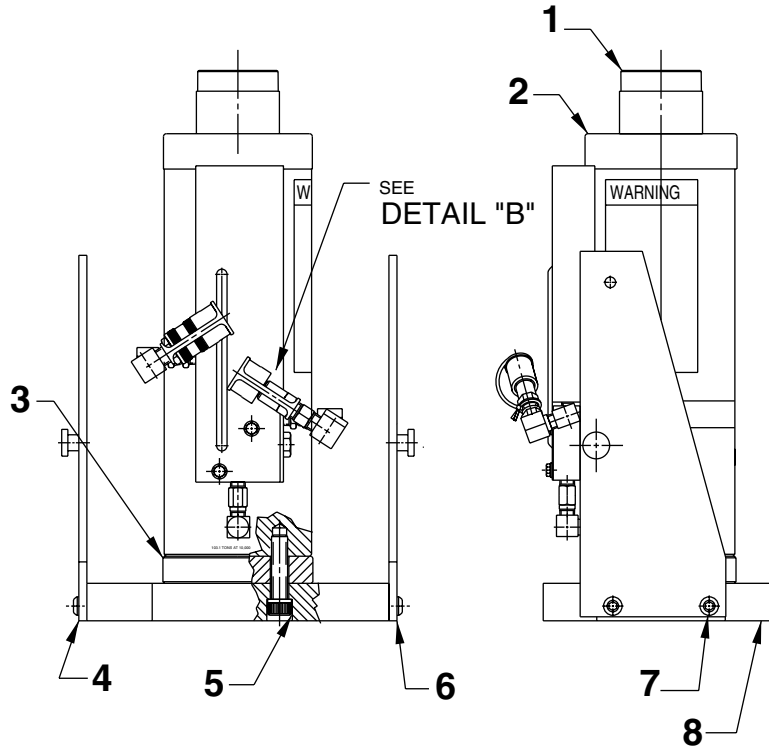


**JACK MODULE**  
**MAX. CAPACITY: 103.1 TONS AT 10,000 PSI**  
**JM210 GENERAL ASSEMBLY**



**DETAIL "B"**

# Parts List, Form No. 101728, Back sheet 1 of 5

---

Item No.	Part No.	No. Req'd	Description
1	351848	1	Serrated Cap
2	65298	1	Cylinder Assembly (See sheet 4 of 5)
3	421369BK2	1	Cylinder Extension
4	58800BK2	1	Right Side Panel
5	252293	4	Screw (3/4-10 X 3" Lg.; Torque to 200/250 ft. lbs.)
6	58799BK2	1	Left Side Panel
7	252278	4	Screw (1/2-13 X 1-1/4 Lg.; Torque to 70 ft. lbs.)
8	58826BK2	1	Cylinder Base
9	9681	2	Street Elbow Fitting (Note: Rotate approximately as shown in Detail B.)



Note: Shaded areas reflect last revision(s) made to this form.

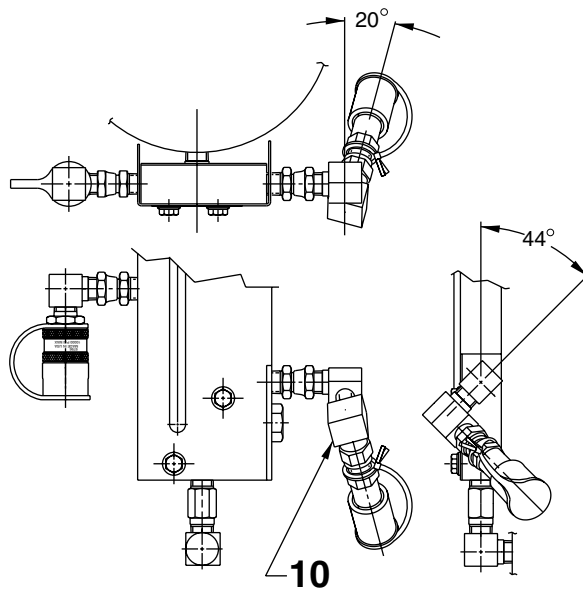
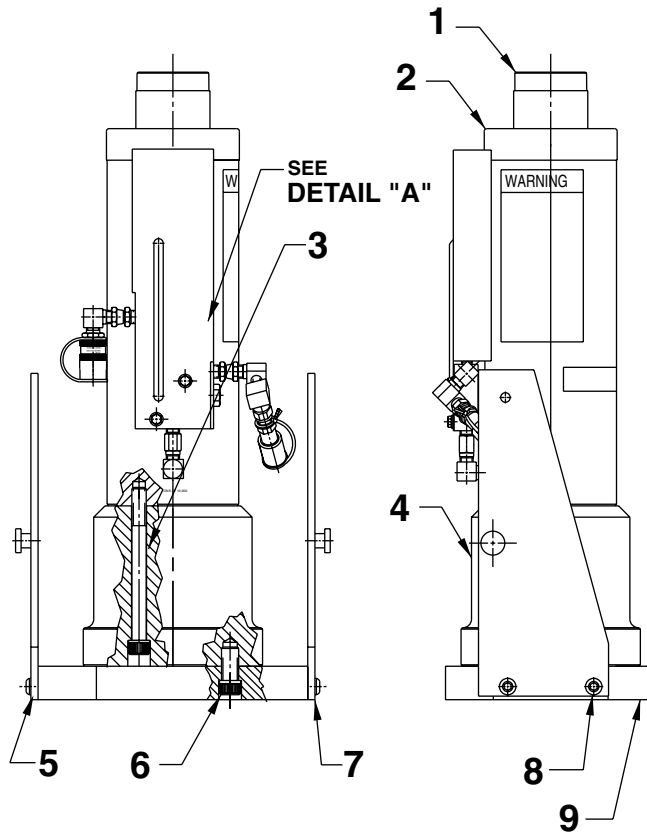
Refer to any operating instructions included with this product for detailed information about operation, testing, disassembly, reassembly, and preventive maintenance.

Items found in this parts list have been carefully tested and selected. **Therefore: Use only genuine Power Team replacement parts!**

Additional questions can be directed to our Technical Services Department.

### JM310 GENERAL ASSEMBLY

To Parts List



DETAIL "A"

## Parts List, Form No. 101728, Back sheet 2 of 5

---

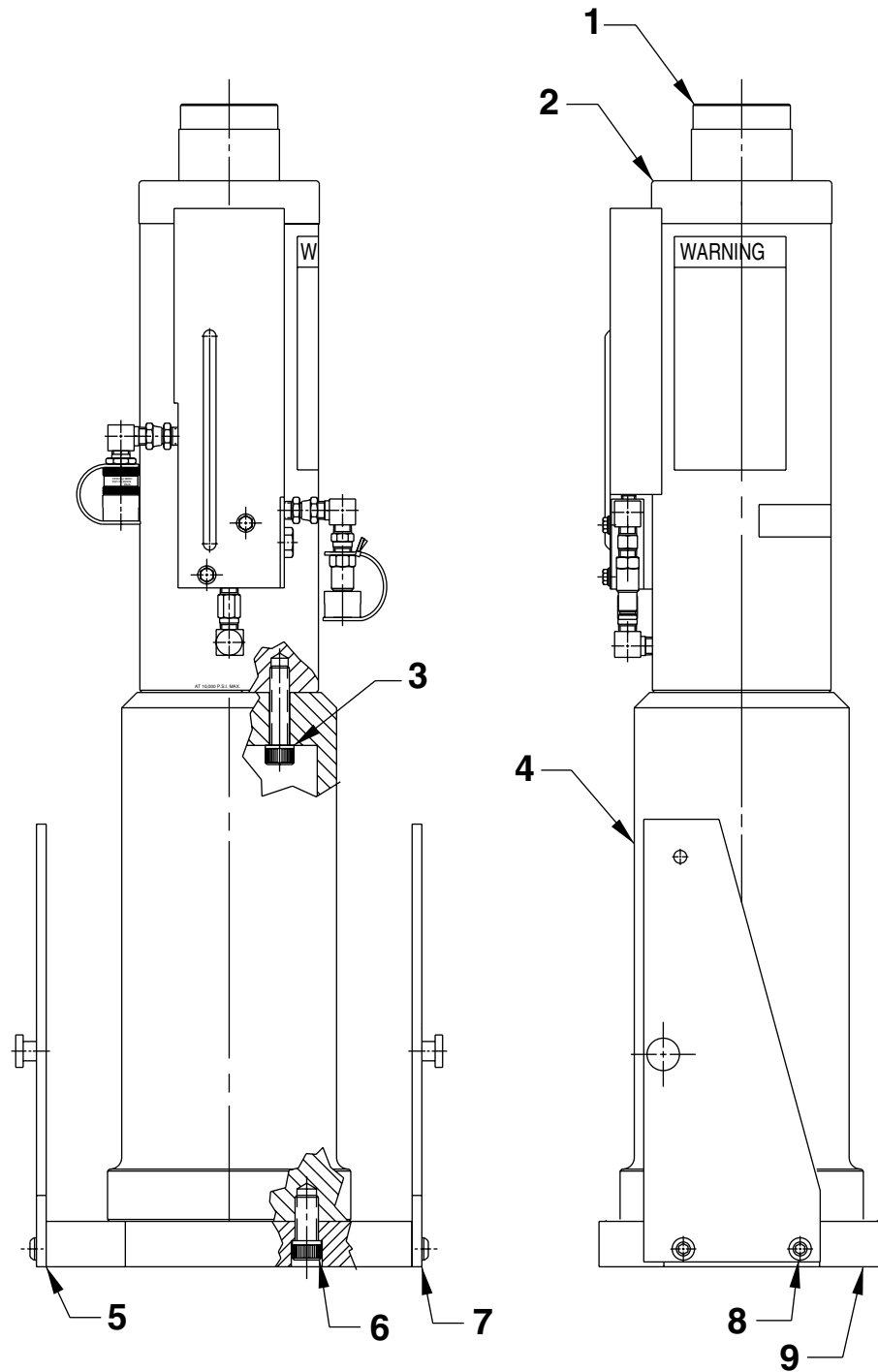
<b>Item No.</b>	<b>Part No.</b>	<b>No. Req'd</b>	<b>Description</b>
1	<b>351848</b>	1	Serrated Cap
2	<b>65298</b>	1	Cylinder Assembly (See sheet 4 of 5)
3	<b>252293</b>	4	Screw (3/4-10 X 3" Lg.; Torque to 200/250 ft. lbs.)
4	<b>58828BK2</b>	1	Cylinder Extension
5	<b>58800BK2</b>	1	Right Side Panel
6	<b>252280</b>	8	Screw (3/4-10 X 1-3/4 Lg.; Torque to 200/250 ft. lbs.)
7	<b>58799BK2</b>	1	Left Side Panel
8	<b>252278</b>	4	Screw (1/2-13 X 1-1/4 Lg.; Torque to 70 ft. lbs.)
9	<b>58831BK2</b>	1	Cylinder Base
10	<b>9681</b>	1	Street Elbow Fitting (Note: Rotate approximately as shown in Detail A.)



Note: Shaded areas reflect last revision(s) made to this form.



# JM410 GENERAL ASSEMBLY



# Parts List, Form No. 101728, Back sheet 3 of 5

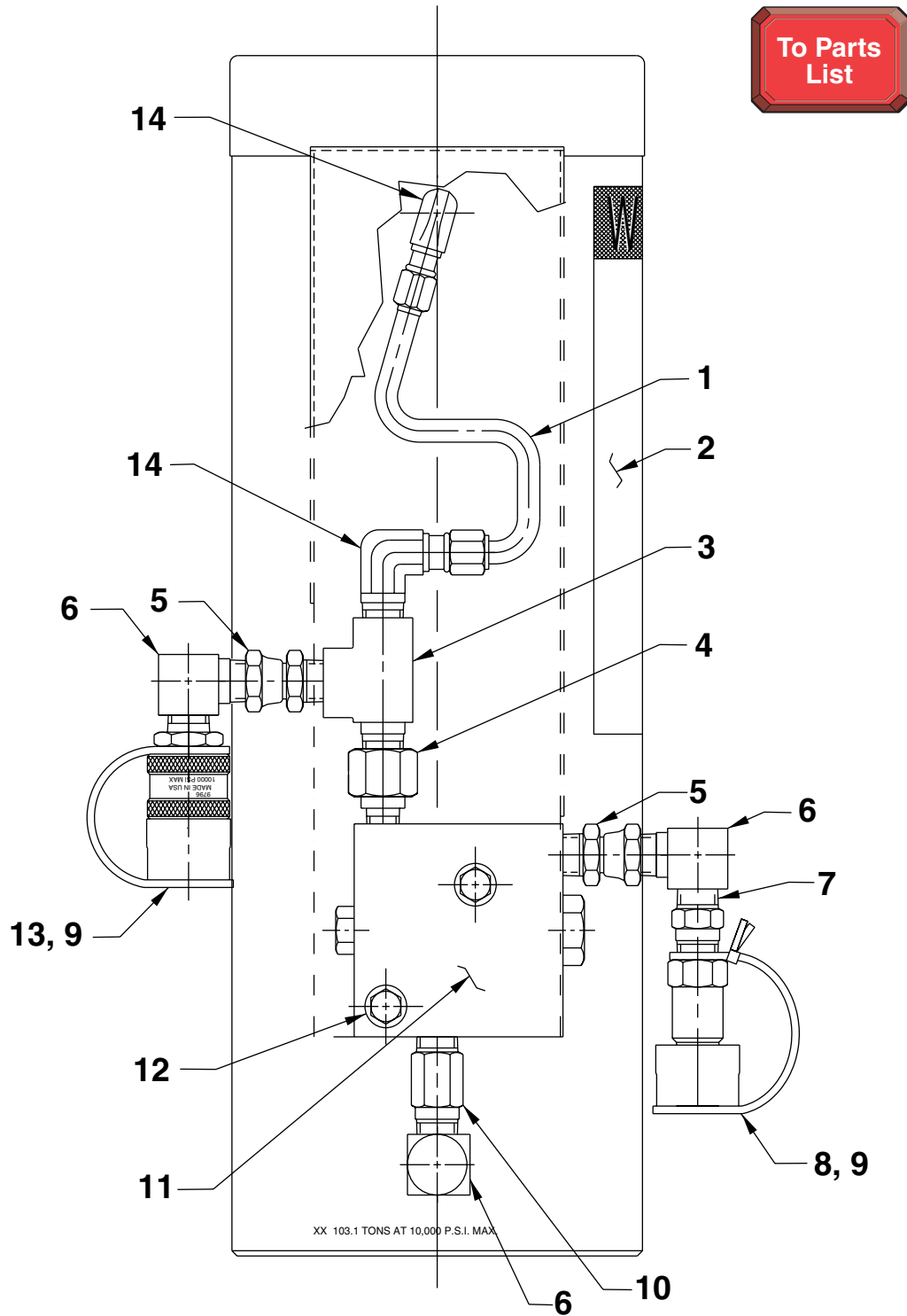
---

Item No.	Part No.	No. Req'd	Description
1	351848	1	Serrated Cap
2	65298	1	Cylinder Assembly (See sheet 4 of 5)
3	252293	4	Screw (3/4-10 X 3" Lg.; Torque to 200/250 ft. lbs.)
4	65303BK2	1	Cylinder Extension
5	58800BK2	1	Right Side Panel
6	252280	8	Screw (3/4-10 X 1-3/4 Lg.; Torque to 200/250 ft. lbs.)
7	58799BK2	1	Left Side Panel
8	252278	4	Screw (1/2-13 X 1-1/4 Lg.; Torque to 70 ft. lbs.)
9	58831BK2	1	Cylinder Base

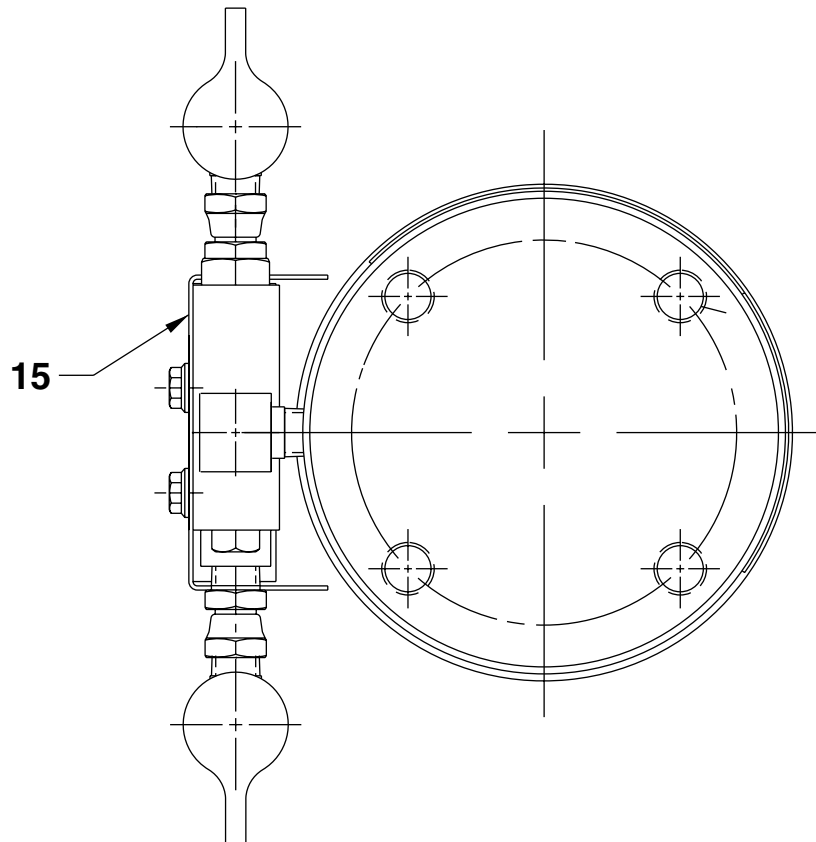


Note: Shaded areas reflect last revision(s) made to this form.

### DOUBLE-ACTING CYLINDER ASSEMBLY - EXTERNAL



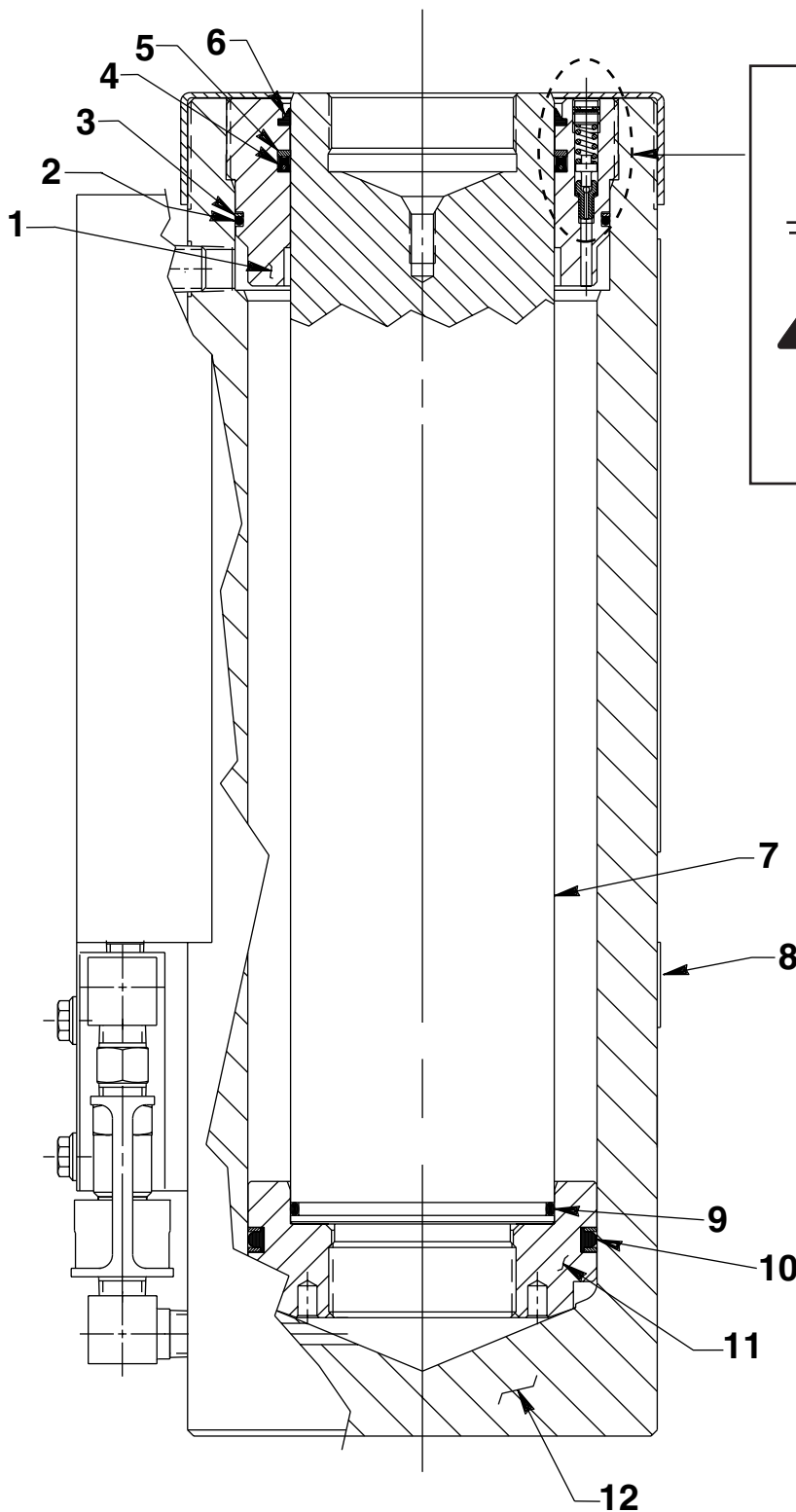
Item No.	Part No.	No. Req'd	Description
1	252272	1	Oil Tube
2	351349	1	Warning Decal
3	9672	1	Tee Fitting
4	9689	1	Connector Fitting
5	9675	2	Connector Fitting
6	9681	3	Street Elbow Fitting
7	9682	1	Nipple Fitting
8	9793	1	Quick Male Coupler
9	9800	2	Dust Cap
10	9683	1	Nipple Fitting
11	9720	1	Counterbalance Valve (See Form No. 101733)
12	15273	2	Screw (5/16-18 X 1/2 Lg.)
13	9792	1	Quick Female Coupler
14	10666	2	90° Elbow Fitting
15	421343OR9	1	Shroud






### CYLINDER ASSEMBLY - INTERNAL

To Parts List



Double-acting  
Cylinder  
Relief Valve

---

See important  
 **DANGER**  
statement  
on back of  
sheet 5 of 5



**DANGER:** To help avoid possible serious personal injury or death,

- In the event that the cylinder retract port is ever restricted or plugged, a double-acting cylinder relief valve will help prevent excessive pressure from building in the cylinder. **DO NOT** attempt to adjust or service this relief valve! If oil leakage is detected from this relief valve, discontinue use of the cylinder immediately and contact Power Team Technical Services. Only Power Team Authorized Hydraulic Service Centers should service this relief valve.

Item No.	Part No.	No. Req'd	Description
1	51289	1	Retainer Nut (Torque to 150 ft. lbs. minimum)
2	*10299	1	O-ring (5-1/2 x 5-1/4 x 1/8)
3	*19270	1	Backup Washer (5-1/2 x 5-1/4 x .048)
4	*19178	1	U-cup
5	*19337	1	Backup Washer (4-1/8 x 3-7/8 x .070)
6	*205775	1	Rod Wiper
7	51290	1	Piston Rod
8	202173	1	Trade Name Decal
9	*11924	1	O-ring (3-7/8 x 3-5/8 x 1/8)
10	*19207	1	T-seal
11	43271	1	Piston Head (Use Loctite No. 277 when assembling this piston head to the piston rod [Item #7]. Torque to 200 ft. lbs.)
12	64640	1	Cylinder Body

Parts numbers marked with an asterisk (\*) are contained in Repair Kit No. 300006.

