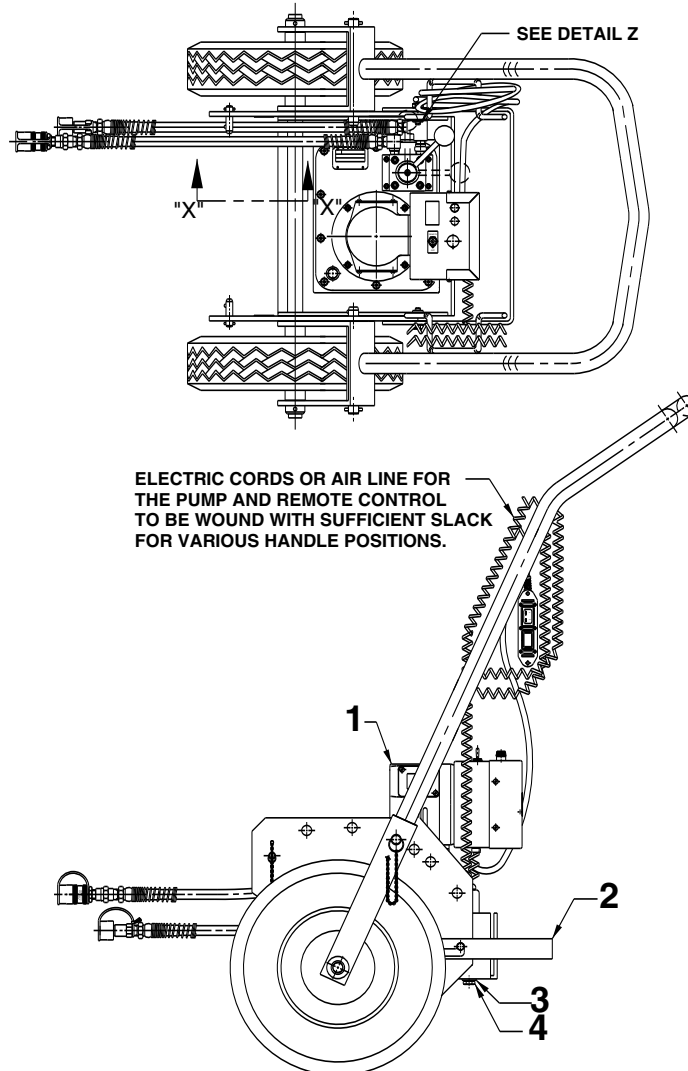
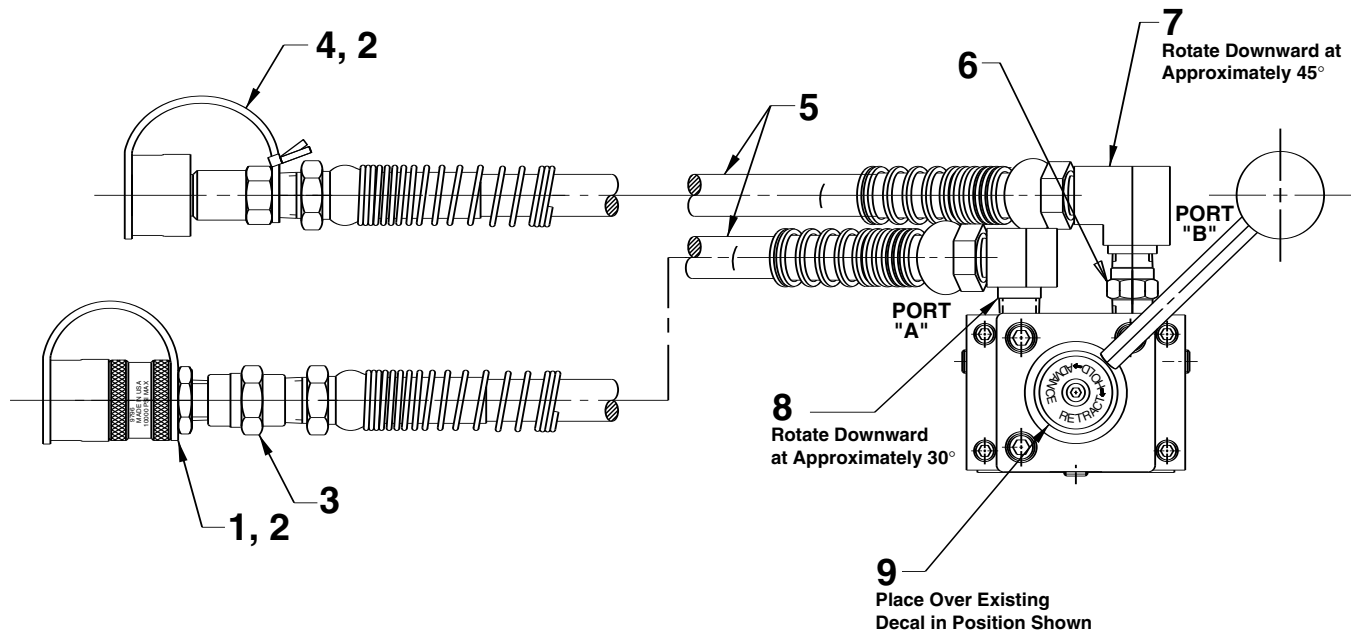


PUMP AND CART MODULE



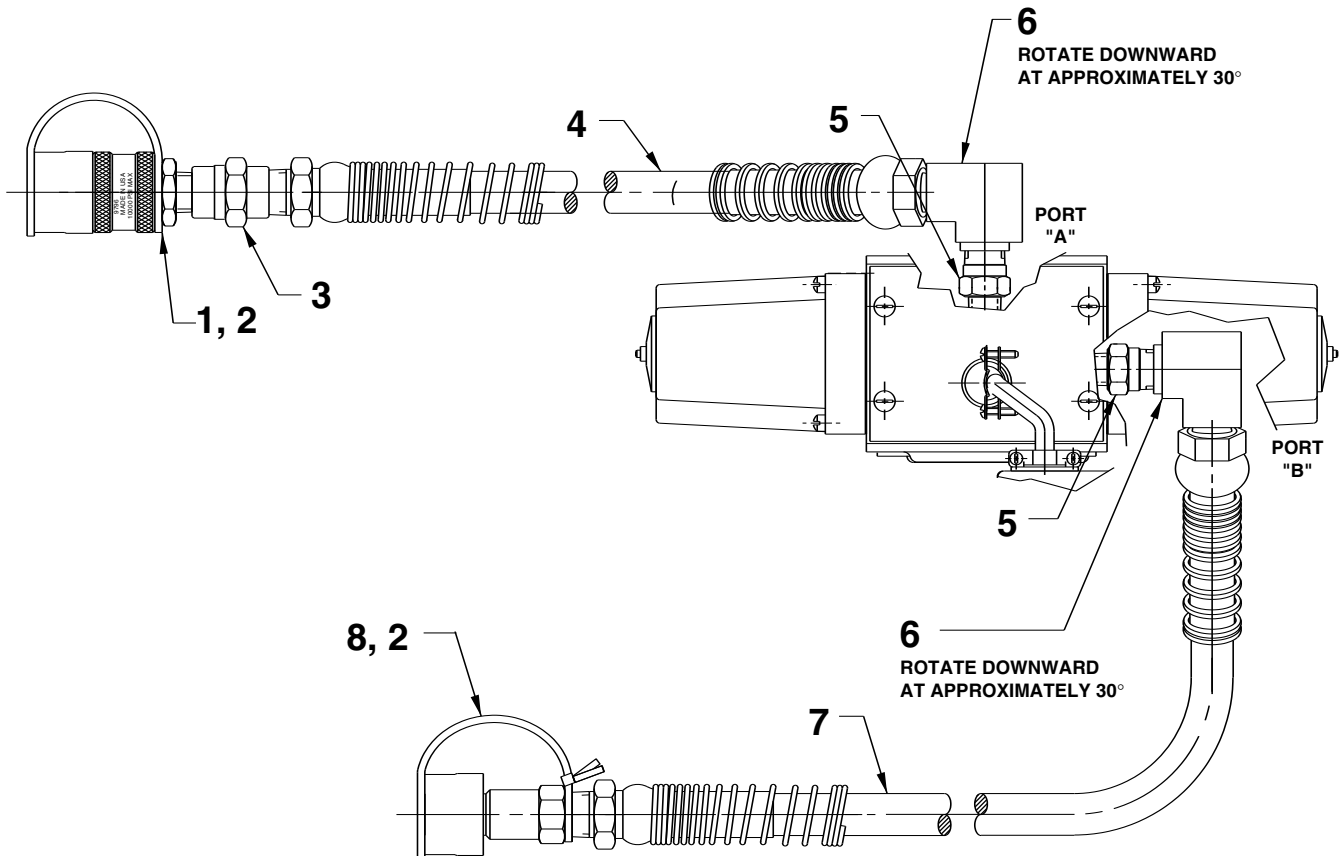
Item No.	Part No.	No. Req'd	Description
1	65271	1	Electric Pump (110/115 V., 50/60 Hz.; For PME55; See Form No. 101724)
	65273	1	Air Pump (For PMA55; See Form No. 101722)
	65269	1	Electric Pump (110/115 V., 50/60 Hz.; Form PME55S; See Form No. 101725)
	65269-50-220	1	(for PME55S-50-20; See Form No. 101725)
	65305	1	Air Pump (For PMA55S; See Form No. 101723)
2	65105	1	Power Lift Cart
3	12004	4	Washer
4	10076	4	Cap Screw (1/2-20 x 7/8 Lg.)

DETAIL Z VALVE CONNECTIONS (For PMA55 & PME55)



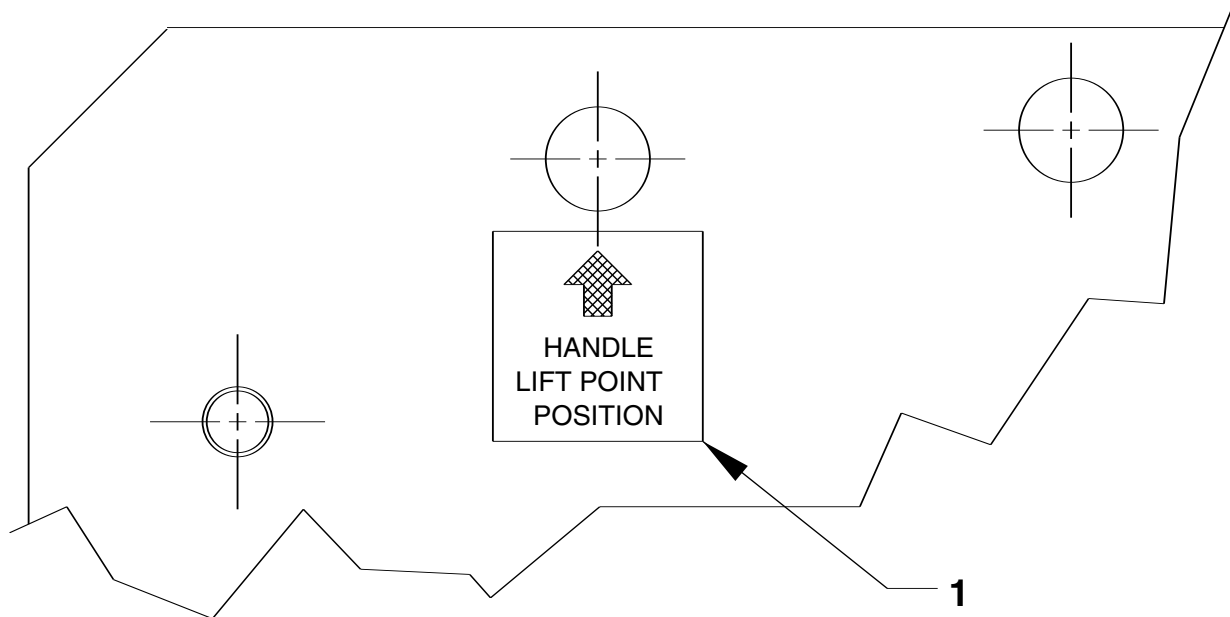
Item No.	Part No.	No. Req'd	Description
1	9792	1	Quick Coupler (Female)
2	9800	2	Dust Cap
3	9680	1	Coupling Fitting
4	9793	1	Quick Coupler (Male)
5	36890	2	Polyurethane Hose (2 ft.)
6	9682	1	Nipple Fitting
7	9686	1	90° Elbow Fitting
8	9681	1	Street Elbow Fitting
9	250917	1	Decal (Advance – Hold – Retract)

DETAIL Z VALVE CONNECTIONS (For PMA55S & PME55S)



Item No.	Part No.	No. Req'd	Description
1	9792	1	Quick Coupler (Female)
2	9800	2	Dust Cap
3	9680	1	Coupling Fitting
4	36890	1	Polyurethane Hose (2 ft.)
5	9674	2	Reducer Fitting
6	9686	2	90° Elbow Fitting
7	36891	1	Polyurethane Hose (3-1/4 ft.)
8	9793	1	Quick Coupler (Male)

VIEW X-X



Item No.	Part No.	No. Req'd	Description
1	252301	2	Decal (Lift Point)

Refer to any operating instructions included with this product for detailed information about operation, testing, disassembly, reassembly, and preventive maintenance.

Items found in this parts list have been carefully tested and selected. **Therefore: Use only genuine Power Team replacement parts!**

Additional questions can be directed to our Technical Services Department.