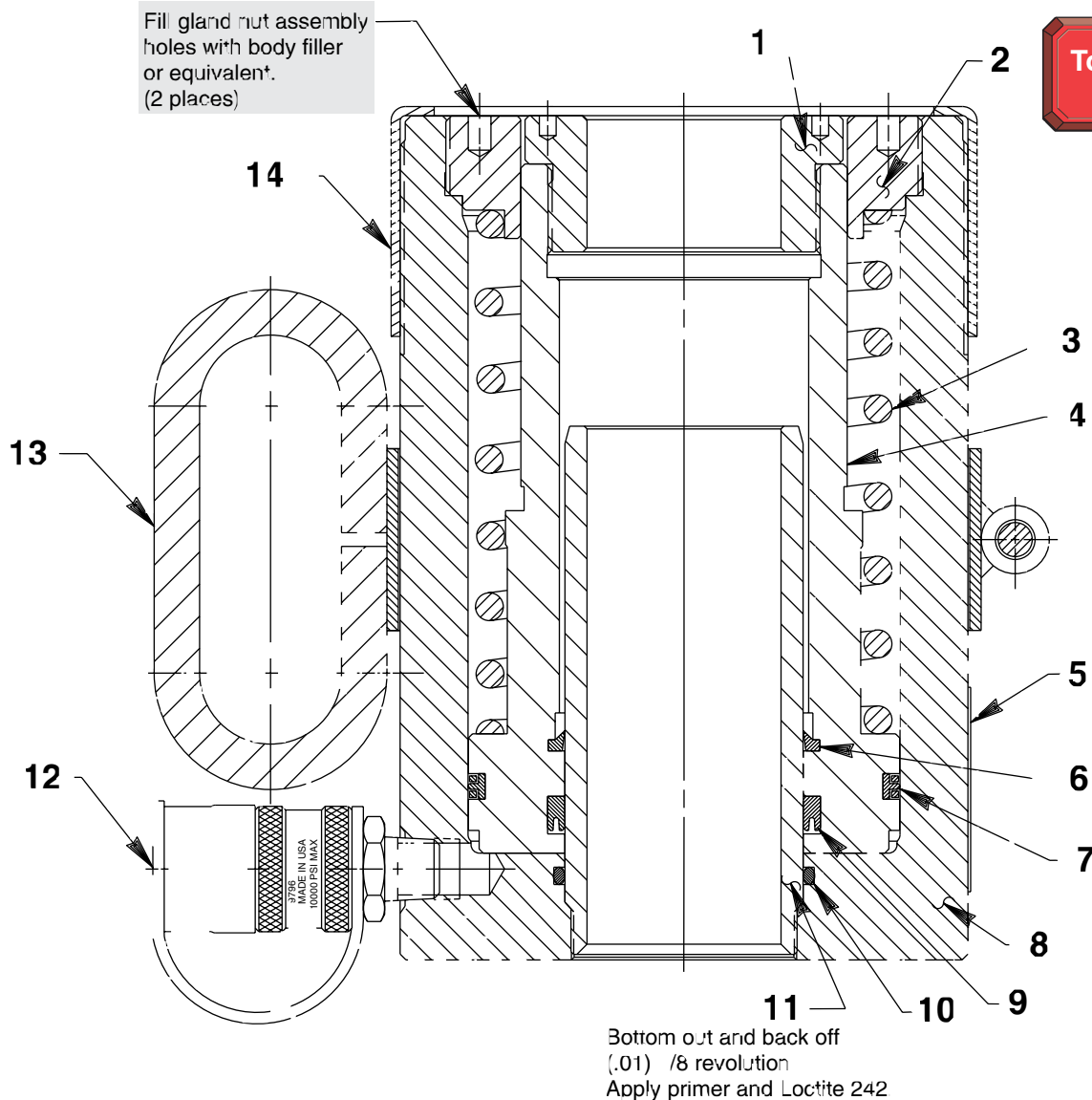


MODEL B SINGLE-ACTING, HOLLOW CENTER HYDRAULIC CYLINDER

Max. Capacity: 61.5 Tons At 10,000 PSI

WARNING:

To help avoid personal injury, DO NOT disassemble cylinder. The retainer nut is loaded with 230 lbs. of spring force, and releasing this spring force improperly could result in serious bodily harm. All repairs must be done by an authorized Power Team Hydraulic Service Center.



Note: Shaded areas reflect last revision(s) made to this form.

Sheet No. 1 of 1

Rev. 2 Date: 21 April 2000

Item No.	Part No.	No. Req'd	Description
1	34250	1	Plain Insert
2	46720	1	Gland Nut
3	213200	1	Compression Spring
4	53444	1	Piston Rod
5	351534	1	Trade Name Decal
6	*207721	1	Rod Wiper
	†206123	1	Rod Wiper
	•252063	1	Rod Wiper
7	*14334	1	Piston T-seal w/ Backup Washer (Smooth side of back-up ring must be against seal.)
	†19245	1	Piston T-seal w/ Backup Washer (Smooth side of back-up ring must be against seal.)
	•252062	1	Piston T-seal w/ Backup Washer (Smooth side of back-up ring must be against seal.)
8	65688	1	Cylinder Body
9	*14333	1	U-cup
	†206145	1	U-cup
	•252061	1	U-cup
10	•†*19042	1	O-ring (2.87 X 2.62)
11	351536	1	Standpipe (Bottom out and back off [.01] 1/8 revolution. Apply primer and Loctite 242.)
12	9796	1	Ram Half Coupler w/ Dust Cap
13	420488OR9	1	Cylinder Lift Handle
14	42194	1	Thread Protector

PARTS INCLUDED BUT NOT SHOWN

•†*203908	1	Warning Decal
†205724	1	Attention Decal
•251880	1	O-ring (1.00 X .75; For Coupler)
•252058	1	O-ring (.75 X .56; For Coupler)



Part numbers marked with an asterisk (*) are contained in Standard Repair Kit No. 300477.

Part numbers marked with a dagger (†) are contained in Viton Seal Kit No. 300476.

Part numbers marked with a bullet (•) are contained in Water Glycol Seal Kit No. 300878.

Refer to any operating instructions included with this product for detailed information about operation, testing, disassembly, reassembly, and preventive maintenance.

Items found in this parts list have been carefully tested and selected. **Therefore: Use only genuine Power Team replacement parts!**

Additional questions can be directed to our Technical Services Department.