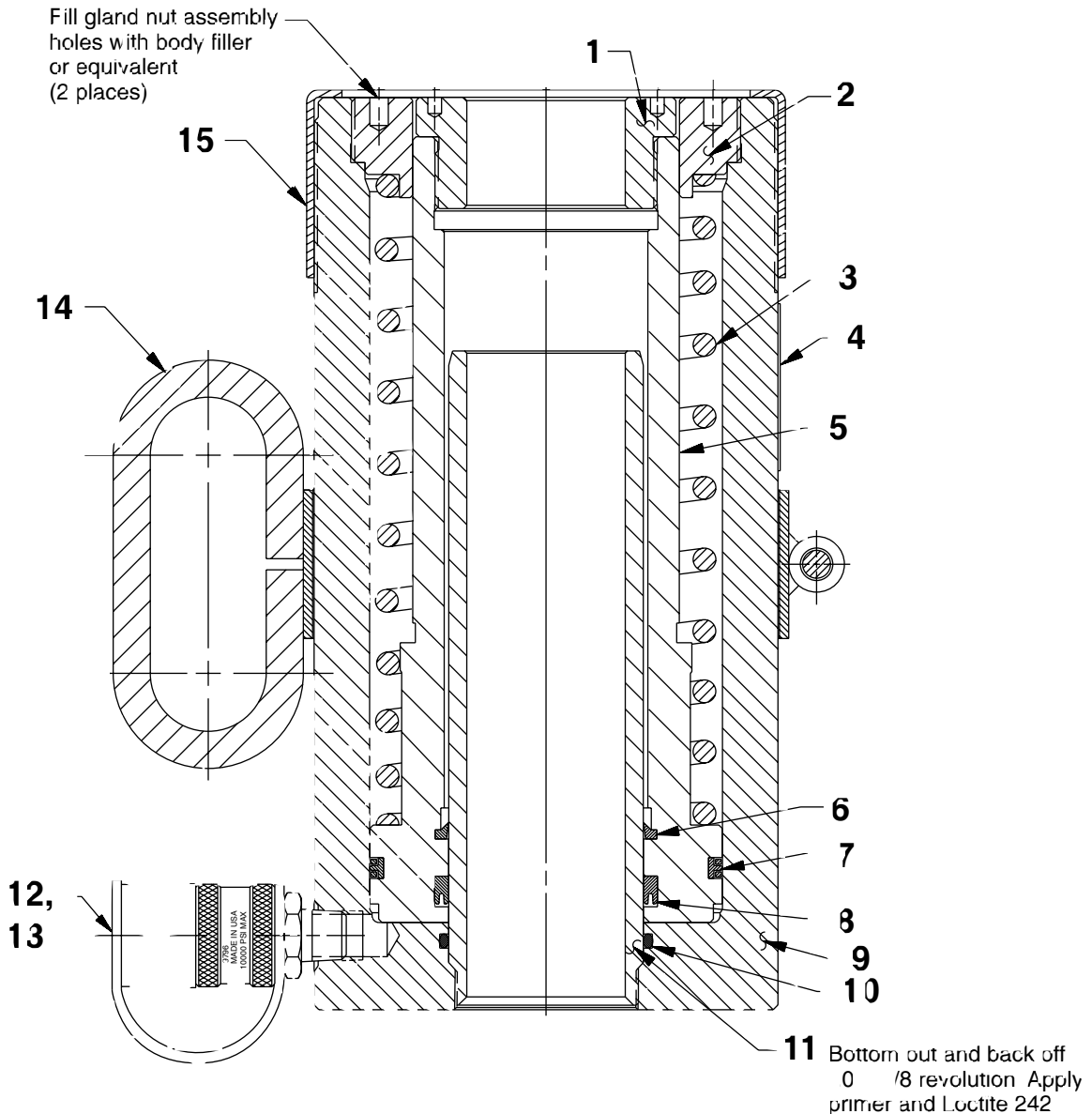


**MODEL B**  
**SINGLE-ACTING, SPRING RETURN**  
**HYDRAULIC CYLINDER**  
 Maximum Capacity: 61.5 Tons at 10,000 PSI



**WARNING:**

To help avoid personal injury, **DO NOT** disassemble cylinder. The retainer nut is loaded with 120 lbs. of spring force, and releasing this spring force improperly could result in serious bodily harm. **All** repairs must be done by an authorized OTC Hydraulic Service Center.



# Parts List, Form No. 101879, Back sheet 1 of 1

Item No.	Part No.	No. Req'd	Description
1	34250	1	Plain Insert
2	46720	1	Spring Retainer Nut (NOTE: Loaded with 120 lbs. spring force)
3	213200	1	Compression Spring (4.704 O.D. X 11-1/2" Lg.)
4	52872	1	Piston Rod
5	351559	1	Trade Name Decal
6	*207721	1	Rod Wiper
	†206123	1	Rod Wiper
	•252063	1	Rod Wiper
7	*14334	1	T-seal (Piston) & Backup Rings (Smooth side of Backup Ring must be against Seal)
	†19245	1	T-seal (Piston) & Backup Rings (Smooth side of Backup Ring must be against Seal)
	•252062	1	T-seal (Piston) & Backup Rings (Smooth side of Backup Ring must be against Seal)
8	*14333	1	U-cup
	†206145	1	U-cup
	•252061	1	U-cup
9	65690	1	Cylinder Body
10	•*†19042	1	O-ring (2.87 X 2.62; Viton)

Item No.	Part No.	No. Req'd	Description
11	421605	1	Cylinder Standpipe Assembly (Bottom out and back off (.01) 1/8 revolution. Apply primer and Loctite 242.)
12	9796	1	Cylinder Half Coupler w/ Dust Cap
14	420488BL2	1	Cylinder Lift Handle
15	42194	1	Thread Protector

### PARTS INCLUDED BUT NOT SHOWN

•*†203908	1	Warning Decal
†205724	1	Decal (Viton)
•252058	1	O-ring (3/4 X 9/16 X 3/32; For Coupler)
•251880	1	O-ring (1" X 3/4 X 1/8; For Coupler)

Part numbers marked with an asterisk (\*) are contained in Standard Repair Kit No. 300477.

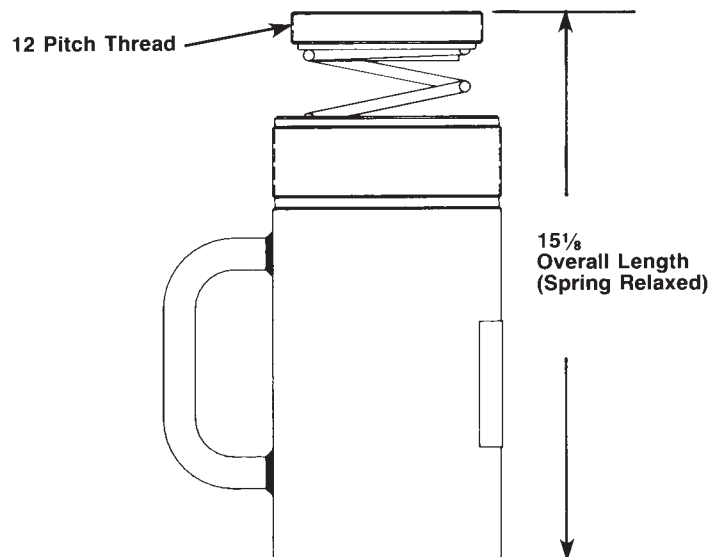
Part numbers marked with a dagger (†) are contained in Viton Seal Kit No. 300476.

Part numbers marked with a bullet (•) are contained in Water Glycol Seal Kit No. 300878.



### WARNING:

To help avoid personal injury, DO NOT disassemble cylinder. The retainer nut is loaded with 120 lbs. of spring force, and releasing this spring force improperly could result in serious bodily harm. All repairs must be done by an authorized OTC Hydraulic Service Center.



Refer to any operating instructions included with this product for detailed information about operation, testing, disassembly, reassembly, and preventive maintenance.

Items found in this parts list have been carefully tested and selected. **Therefore: Use only genuine OTC replacement parts!**

Additional questions can be directed to our Technical Services Department.

Note: Shaded areas reflect last revision(s) made to this form.