

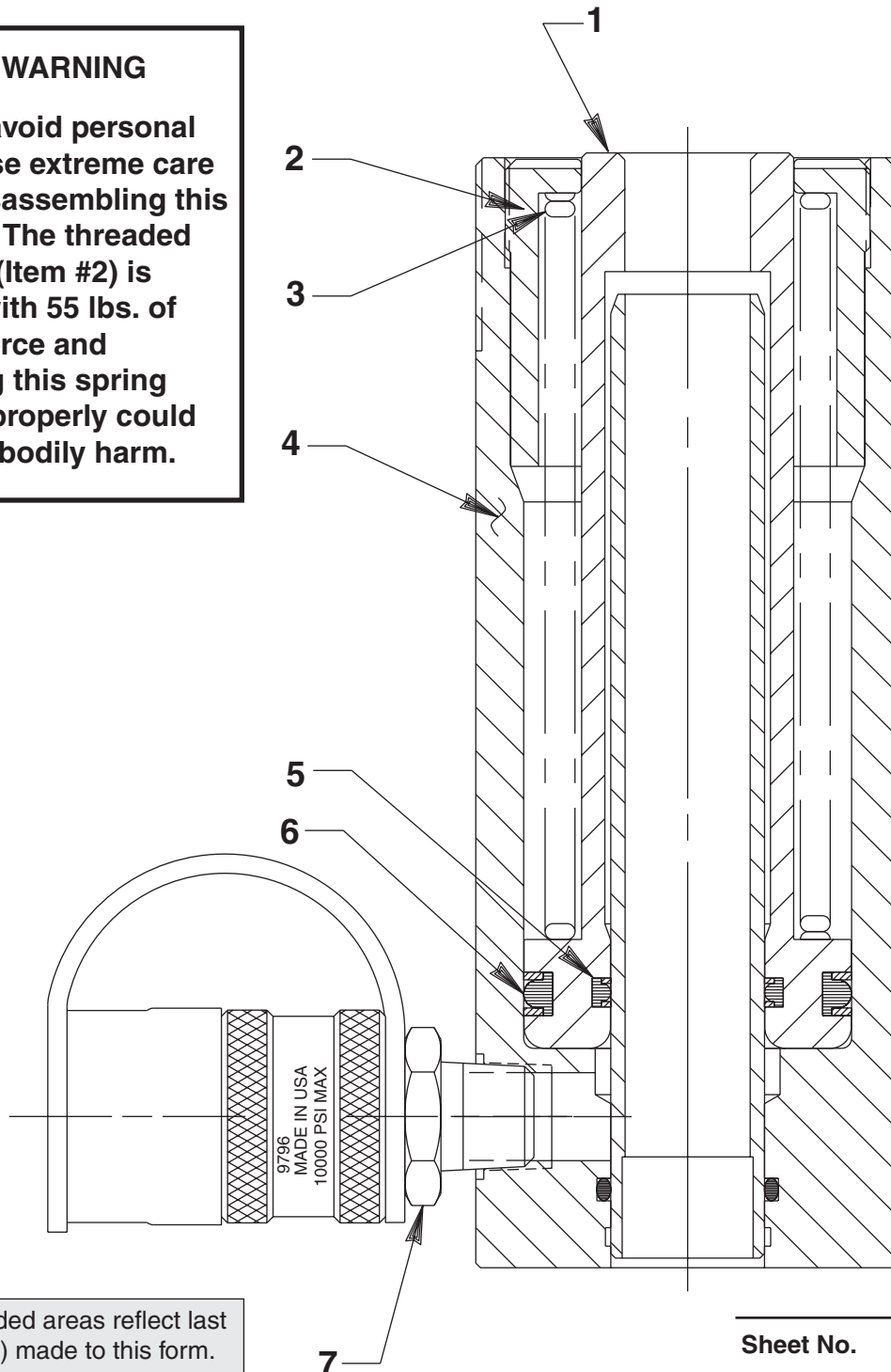
Parts List for:

RH123
RH123E

SINGLE-ACTING, HOLLOW CENTER, SPRING RETURN HYDRAULIC CYLINDER

Max. Capacity: 13.8 Tons (124,6 kN) at 10,000 PSI (700 Bar)

⚠ WARNING
To help avoid personal injury, use extreme care when disassembling this cylinder. The threaded end cap (Item #2) is loaded with 55 lbs. of spring force and releasing this spring force improperly could result in bodily harm.



Note: Shaded areas reflect last revision(s) made to this form.

Sheet No. 1 of 1

Rev. 1 Date: 6 July 1999

Parts List, Form No. 108069, Back sheet 1 of 1

Item No.	Part No.	No. Req'd	Description
1	421904	1	Rod, Piston (For RH123)
	421908	1	Rod, Piston (For RH123E)
2	352000	1	Nut, Retainer (2-3/8-12; Torque to 75 ft. lbs.)
3	253615	1	Spring (1.8 OD x 9.23 x .10 WS)
4	352001	1	Assembly, Cylinder Body & Standpipe
5	*15171	1	T-seal (1.25 x 1.00 x .18 L)
6	*250057	1	T-seal (2.13 x 1.57 x .27 L)
7	9796	1	Coupler, Quick Cylinder Half

PARTS INCLUDED BUT NOT SHOWN

	*203908	1	Decal, Warning
	352002	1	Decal, Tradename (For RH123)
	352029	1	Decal, Tradename (For RH123E)

Part numbers marked with an asterisk (*) are contained in Repair Kit No. 300576.

Refer to any operating instructions included with the product for detailed information about operation, testing, disassembly, reassembly, and preventive maintenance.

Items found in this parts list have been carefully tested and selected. **Therefore: Use only genuine Power Team replacement parts!**

Additional questions can be directed to our Technical Services Department.

Note: Shaded areas reflect last revision(s) made to this form.