

HIGH TONNAGE

RC Series

740 & 1220

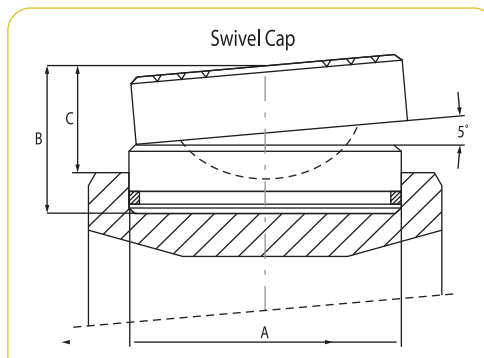
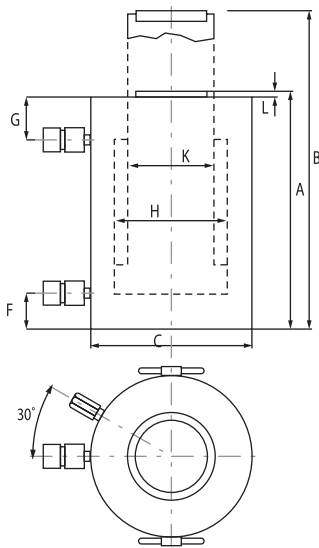
Double-Acting, Hydraulic Return

HIGH TONNAGE CYLINDERS RUGGED AND RELIABLE

- Cylinders come standard with hardened caps.
- Cylinders may be “dead-ended” without damage.
- Safety relief valve prevents over-pressurization of the retract circuit.
- Each cylinder has two 9796 3/8” NPTF female half couplers.



Double-Acting High Tonnage Cylinders



- OPTIONAL SWIVEL CAPS REDUCE THE EFFECTS OF OFF-CENTER LOADING.

Order No.	Used with Cyl. Order No.	A (in.)	B (in.)	C (in.)	Product Wt (lbs.)
2000822	RC740*D	7.9	3.1	2.2	42.5
2000823	RC965*D	9.8	4.1	3.0	88.2
2000825	RC1220*D	12.7	6.9	4.9	249.1

In mm	A	B	C	F	G	H	K	L					
Cyl. Cap. Stroke (tons) (in.)	Oil Cap. (cu. in.)	Retracted Height (in.)	Extended Height (in.)	Outside Dia. (in.)	Base to Port (in.)	Cyl. Top to Port (in.)	Bore Dia. (in.)	Piston Rod Dia. (in.)	Piston Protusion (in.)	Cyl. Eff. Area (cu. in.)	Tons @ 10,000 psi	Product Wt. (lbs.)	
Order No.													
740 2.0 RC7402D	293.6	11.1	13.1	16.9	2.6	3.9	13.8	11.01	0.4	149.1	742	670	
740 6.0 RC7406D	880.7	15.7	21.6	16.9	2.6	3.9	13.8	11.01	0.4	149.1	742	877	
740 10 RC74010D	1,467.8	20.0	29.8	16.9	2.6	3.9	13.8	11.01	0.4	149.1	742	1,080	
965 2.0 RC9652D	383.2	12.2	14.2	19.3	2.8	4.5	15.7	12.75	0.4	194.8	970	957	
965 6.0 RC9656D	1,150.2	16.5	22.4	19.3	2.8	4.5	15.7	12.75	0.4	194.8	970	1,215	
965 9.8 RC96510D	1,916.2	20.9	30.7	19.3	2.8	4.5	15.7	12.75	0.4	194.8	970	1,473	
1220 2.0 RC12202D	485.1	13.0	15.0	21.7	3.1	5.3	17.7	14.17	0.4	246.5	1227	1,287	
1220 6.0 RC12206D	1,455.8	17.6	23.2	21.7	3.1	5.3	17.7	14.17	0.4	246.5	1227	1,612	
1220 10 RC122010D	2,452.2	21.7	31.5	21.7	3.1	5.3	17.7	14.17	0.4	246.5	1227	1,936	