

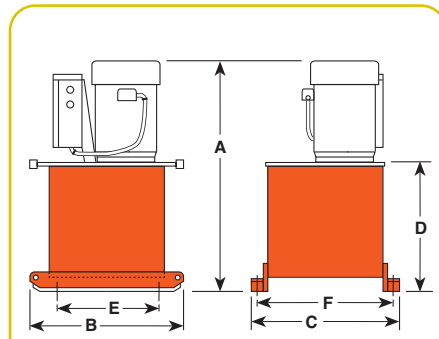
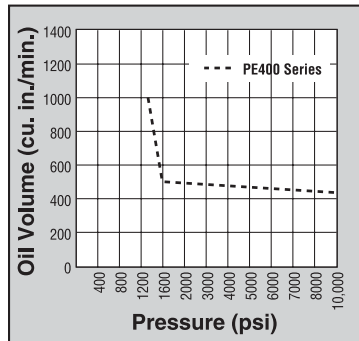
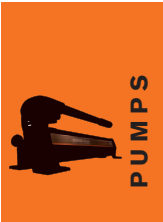
ELECTRIC PUMP

PE400 Series

Up to 1,000 Ton
420 cu. in./min.

HIGH TONNAGE DOUBLE-ACTING CYLINDERS – SINGLE OR MULTIPLE CYLINDER APPLICATIONS. UP TO 1,000 TONS

- Two-speed high output pump delivers up to 5 gpm of oil.
- Low noise level of 73-80 dBA.
- Integral electrical shut-down feature prevents unintentional restarting of motor following an electrical service interruption. Over-current protection prevents damage to motor as a result of overheating.
- “Stop” and “Start” control buttons are 24 volt. PE4004 has a 4-way/3-position manual valve. The PE4004S has a 4-way/3-position solenoid valve with a 24 volt remote hand switch.
- External pressure relief valve is adjustable from 1,500 to 10,000 psi.
- Heavy duty 4” dia. casters assure easy maneuvering.
- 20 gallon (3,927 cu. in. usable) reservoir has a low oil level sight gauge.
- Powered by a dual voltage 10 hp, 3 phase, 1,725 rpm motor.
- 3 phase motor has all the electrical components necessary to operate the pump. The customer has no hidden charges when making a purchase.
- Deliver 1,200 cu. in./min. of oil @ 200 psi, 420 cu. in./min. of oil @ 10,000 psi.

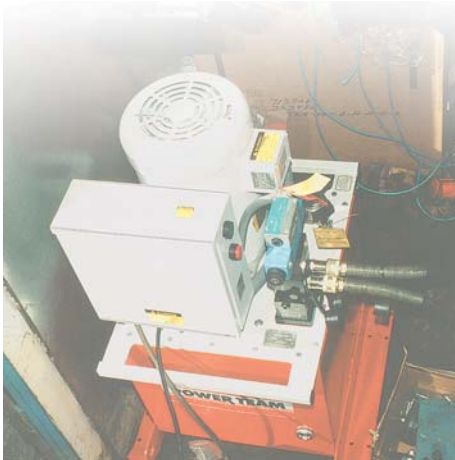


Pump No.	Max. Pressure Output (psi)	rpm	dBa at 10,000 (psi)	Amp Draw at 10,000 (psi)	Oil Del. (cu. in./min. @)				A* (in.)	B (in.)	C (in.)	D (in.)	E (in.)	F (in.)	Prod. Wt. w/Oil (lbs.)
					200 (psi)	1,050 (psi)	450 (psi)	420 (psi)							
PE4004	10,000	1,725	73/80	34 @230 V.	1,200	1,050	450	420	36 ³ / ₈	25	24	21 ¹ / ₄	15 ¹ / ₂	21 ¹ / ₂	492
PE4004S	10,000	1,725	73/80	17 @460 V.	1,200	1,050	450	420	36 ³ / ₈	25	24	21 ¹ / ₄	15 ¹ / ₂	21 ¹ / ₂	506

* Add 5” and 8 lbs. when casters are mounted. (Units are supplied with four 4” dia. swivel casters.)



PE4004S pump and RD3006 cylinder used in a special press which repairs damaged chain links for the shipping industry.



PE4004S

10,000 psi



For use with Cyl. Type	Description	Order No.	Valve Type	Valve No.	Valve Function	Motor ††	Reservoir Usable (cu. in.)
Double-Acting	10 hp pump with 20 gal. reservoir and manual valve.	PE4004	4-Way	9506	Advance Hold Return	10 hp, 208/230/460 volt* 60 Hz, 3 Phase	3,927†
Double-Acting	PE4004, except has solenoid operated remote valve.	PE4004S	4-Way	9512**	Advance Hold Return	10 hp, 208/230/460 volt* 60 Hz, 3 Phase	3,927†

* Factory wired for this voltage. For 230V, 60Hz order PE4004S-230.

** Solenoid valve with remote control.

† Usable oil is calculated with oil fill at recommended level at 2 1/4" below cover plate.

NOTE: Valves for spring return cylinders are available upon request. Consult the factory.