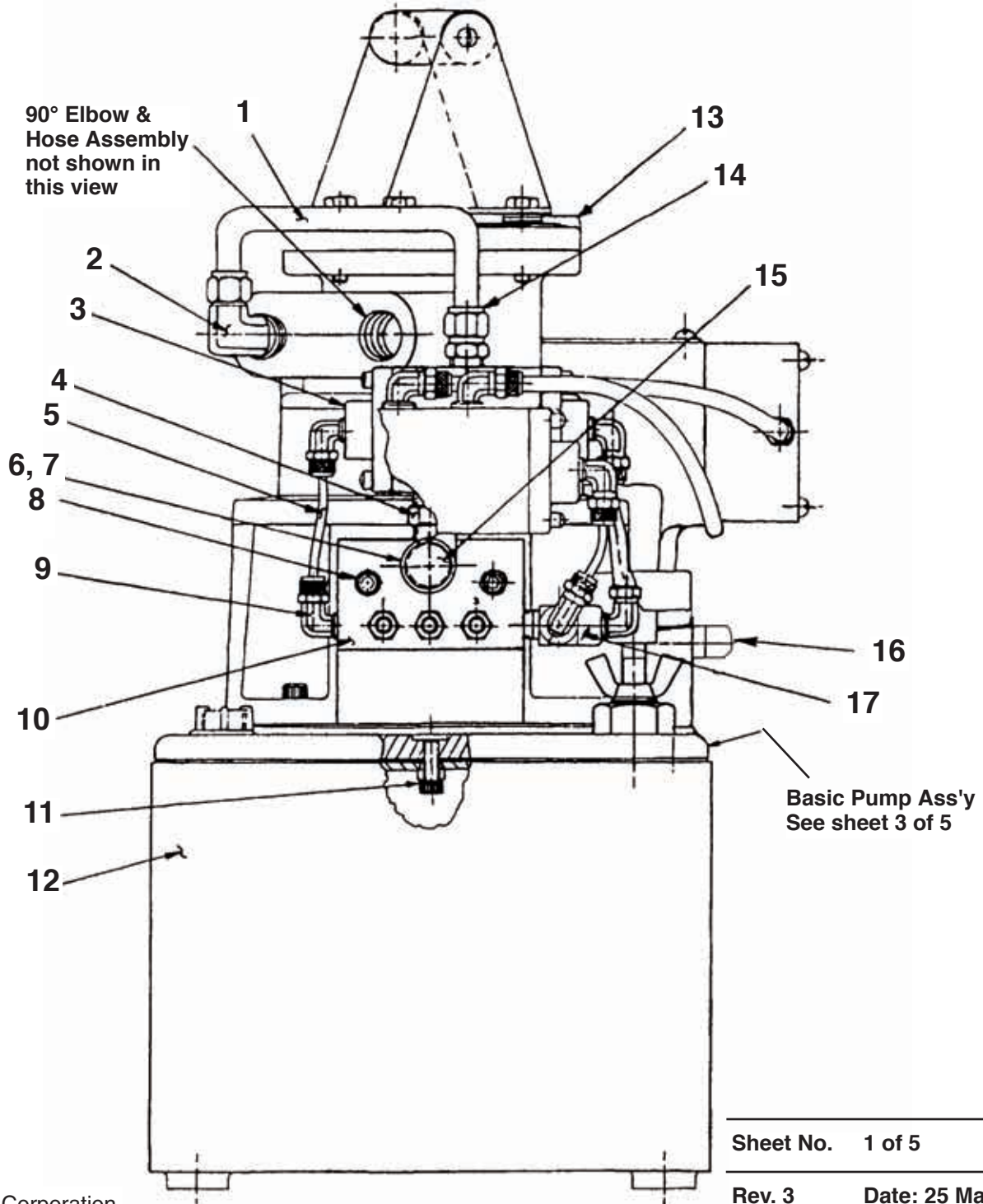


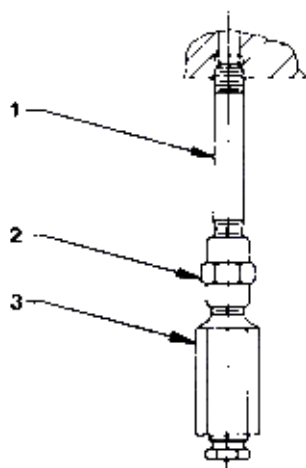
MODEL C  
**HYDRAULIC PUMP**  
AIR DRIVEN WITH REMOTE CONTROL  
GENERAL ASS'Y SIDE VIEW



## Part List, Form No. 108205, Back sheet 1 of 5

| Item No. | Part No. | No. Req'd | Description  | Item No. | Part No. | No. Req'd | Description  |
|----------|----------|-----------|--|----------|----------|-----------|--|
| 1        | 303474   | 1         | Copper Tubing  | 9        | 250804   | 6         | 90° Elbow Fitting  |
| 2        | 17636    | 1         | 90° Elbow Fitting  | 10       | 350244   | 1         | Air Valve Manifold   |
| 3        | 17565    | 1         | Air Valve  | 11       | 10006    | 1         | Soc. Hd. Cap Screw<br>(1/4-20 X 5/8 Lg.)                                 |
| 4        | 16494    | 1         | Straight Nipple Fitting  | 12       | 65599    | 1         | Reservoir  |
| 5        | 14281    | .8 ft.    | Plastic Tubing   | 13       | *51159   | 1         | Air Motor Ass'y (Prior to 5-1-91;<br>Keyed shaft; See back sheet 2 of 5) |
| 6        | 10623    | 1         | Tee Fitting  | 14       | 17634    | 1         | Straight Fitting   |
| 7        | 12328    | 1         | Straight Fitting (NOTE: Install<br>#12328 Fitting into #10623 Tee Fitting.<br>Install 1/4 NPTF end of #12328 into<br>Port No. 3 of #306033 Air Valve.) | 15       | 11967    | 1         | Plastic Cup  |
| 8        | 10020    | 2         | Cap Screw (1/4-20 X 1-1/4 Lg.)   | 16       | 10617    | 1         | 90° Elbow Fitting  |
|          |          |           |  | 17       | 19463    | 1         | Tee Fitting  |

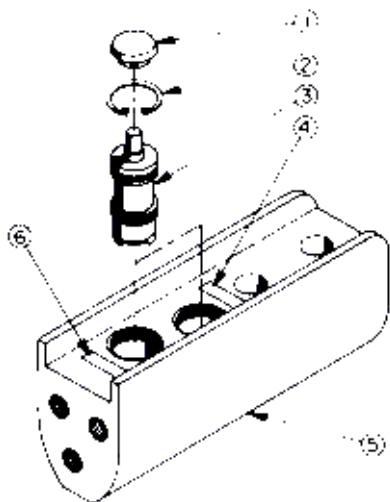
**\*Note: For air motor repair kit, order no. 252100.**



### PRESSURE CONTROL VALVE

NOTE: Set at 1500/1700 PSI

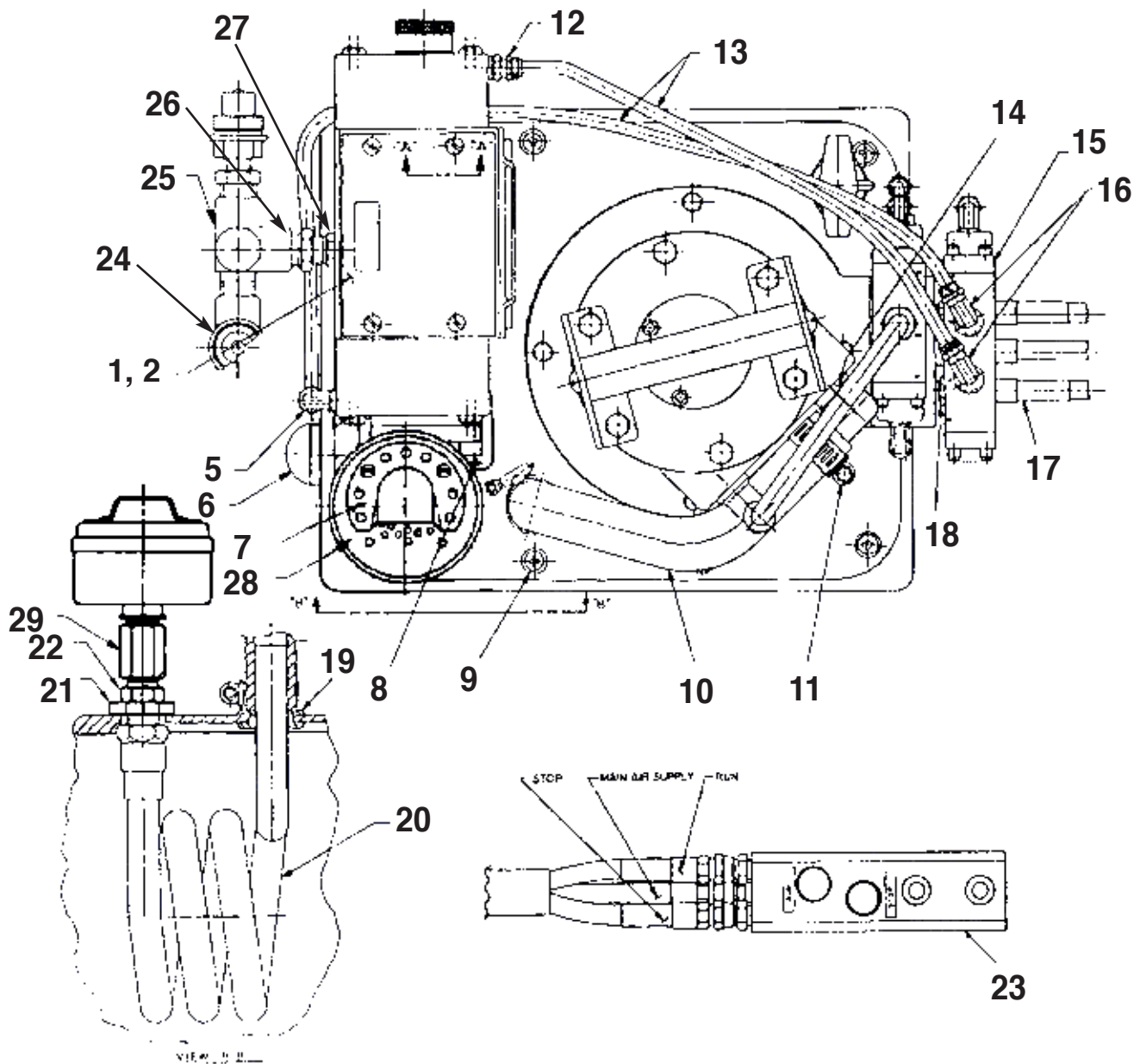
| Item No. | Part No. | No. Req'd | Description        |
|----------|----------|-----------|--------------------|
| 1        | 15456    | 1         | Nipple Fitting     |
| 2        | 18841    | 1         | Straight Fitting   |
| 3        | 21278-15 | 1         | Relief Valve Ass'y |



### HAND CONTROL ASSEMBLY

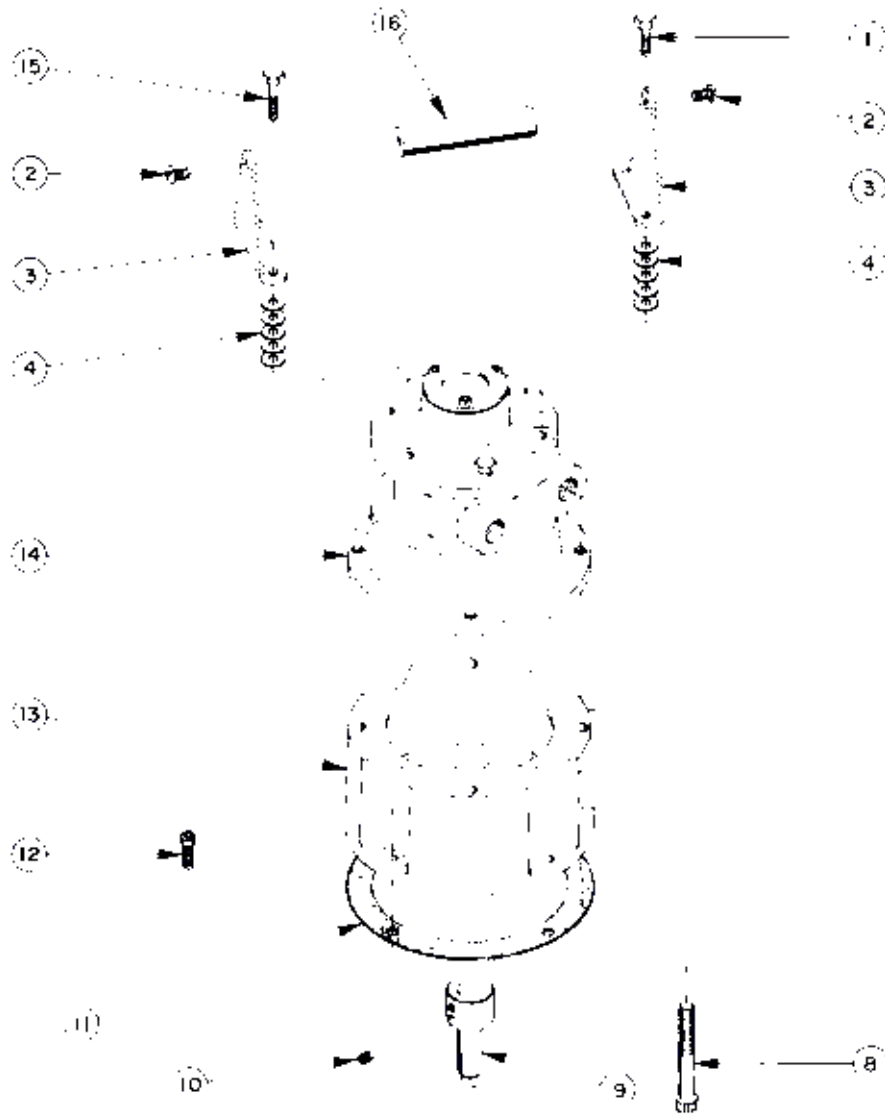
| Item No. | Part No. | No. Req'd | Description                                      |
|----------|----------|-----------|--|
| 1        | 206105   | 2         | Push Button                                      |
| 2        | 11033    | 2         | Retaining Ring                                   |
| 3        | 206104   | 2         | Valve Cartridge (Including seals)                |
| 4        | 203769   | 2         | Decal (Stop)                                     |
| 5        | 421265   | 1         | Control Valve Body (Includes<br>items 1, 2, & 3) |
| 6        | 203770   | 1         | Decal (Run)                                      |

GENERAL ASS'Y TOP VIEW



| Item No. | Part No. | No. Req'd | Description                         | Item No. | Part No. | No. Req'd | Description  |
|----------|----------|-----------|-------------------------------------|----------|----------|-----------|--|
| 1        | 66209    | 1         | Valve (See Form No. 108100)         | 21       | 251796   | 1         | Jam Nut  |
| 2        | 200609   | 1         | Drain Tube (Included but not shown) | 22       | 251795   | 1         | Straight Fitting                                     |
| 3        | 10412    | 1         | Screw (3/8-16 UNC x 1/2 Lg.)        | 23       | 421265   | 1         | Air Operated Hand Control<br>(See back sheet 1 of 5) |
| 4        | 19779    | 1         | Seal Washer                         | 24       | 9052     | 1         | Gauge (10,000 PSI, 4" dia.)                          |
| 5        | 252653   | 1         | 90° Elbow Fitting                   | 25       | 10618    | 1         | Tee Fitting  |
| 6        | 350431   | 1         | Oil Level / Thermometer Gauge       | 26       | 10676    | 1         | Straight Fitting                                     |
| 7        | 205505   | 1         | Muffler Deflector                   | 27       | 9689     | 1         | Fitting (Supplied with valve)                        |
| 8        | 10575    | 4         | Drive Screw                         | 28       | 13966    | 1         | Muffler  |
| 9        | 10177    | 9         | Screw (1/4-10 X 7/8 Lg.)            | 29       | 252240   | 1         | Straight Fitting (1/2 x 1/2 BSPP)                    |
| 10       | 212898   | .9ft.     | Pressure Hose                       | 30       | 251410   | 1         | Coupler  |
| 11       | 12367    | 2         | Hose Clamp                          | 31       | 252364   | 1         | Dust Cap   |
| 12       | 251053   | 1         | Straight Fitting                    | 32       | 251411   | 1         | Coupler  |
| 13       | 15883    | 2.8ft.    | Plastic Tubing                      | 33       | 252365   | 1         | Dust Cap   |
| 14       | 212897   | 1         | 90° Elbow Fitting                   | 34       | 251410   | 1         | Straight Fitting                                     |
| 15       | 306033   | 1         | Air Valve                           |          |          |           |  |
| 16       | 15457    | 2         | 90° Elbow Fitting                   |          |          |           |  |
| 17       | 420096   | 1         | Hose Assembly (25' Lg.)             |          |          |           |  |
| 18       | 208218   | 6         | Straight Fitting                    |          |          |           |  |
| 19       | 212896   | 1         | Grommet                             |          |          |           |  |
| 20       | 46626    | 1         | Heat Exchanger Coil                 |          |          |           |  |

### AIR MOTOR ASSEMBLY

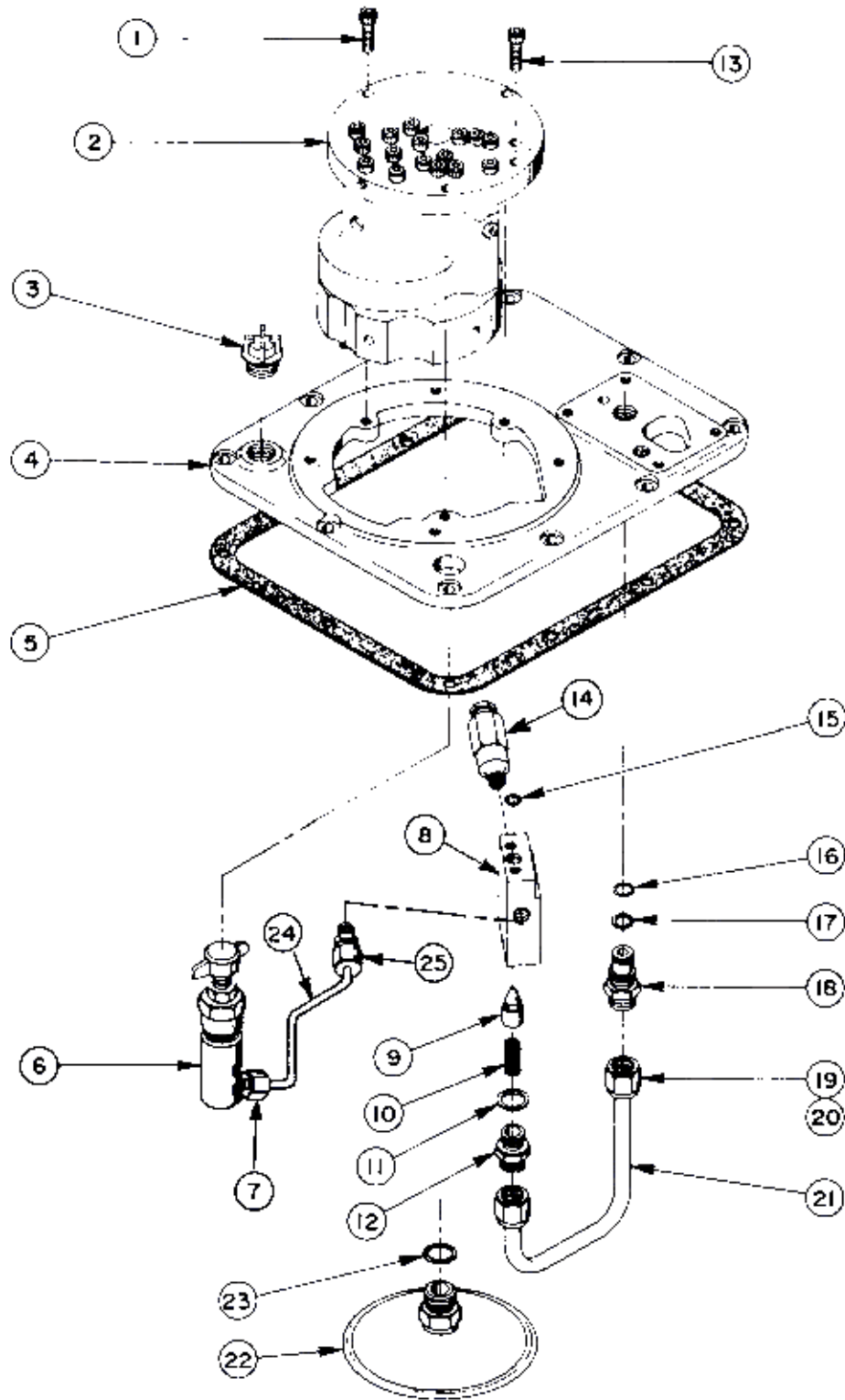


| Item No. | Part No. | No. Req'd | Description                      |
|----------|----------|-----------|----------------------------------|
| 1        | 10014    | 1         | Cap Screw (1/4-28 X 1" Lg.)      |
| 2        | 10174    | 2         | Machine Screw (1/4-20 X 1/2 Lg.) |
| 3        | 33808    | 2         | Handle Bracket                   |
| 4        | 12719    | 20        | Washer                           |
| 8        | 17816    | 4         | Cap Screw (3/8-16 X 3" Lg.)      |
| 9        | 37842    | 1         | Shaft Extension                  |
| 10       | 10556    | 1         | Set Screw (1/4-20 UNC X 1/4 Lg.) |
| 11       | 30650    | 1         | Gasket                           |

| Item No. | Part No. | No. Req'd | Description   |
|----------|----------|-----------|---|
| 12       | 10008    | 4         | Cap Screw (1/4-20 X 3/4 Lg.)                              |
| 13       | 51158WH2 | 1         | Motor Base  |
| 14       | *14717   | 1         | Air Motor (See Form #16138)                               |
| 15       | 10018    | 3         | Cap Screw (1/4-28 X 1-1/4 Lg.)                            |
| 16       | 28158    | 1         | Handle  |
|          | 51159    | 1         | Complete Air Motor Ass'y<br>(Includes Items 1 through 16) |

**\*Note: For air motor repair kit, order no. 252100.**

### GENERAL PUMP ASSEMBLY



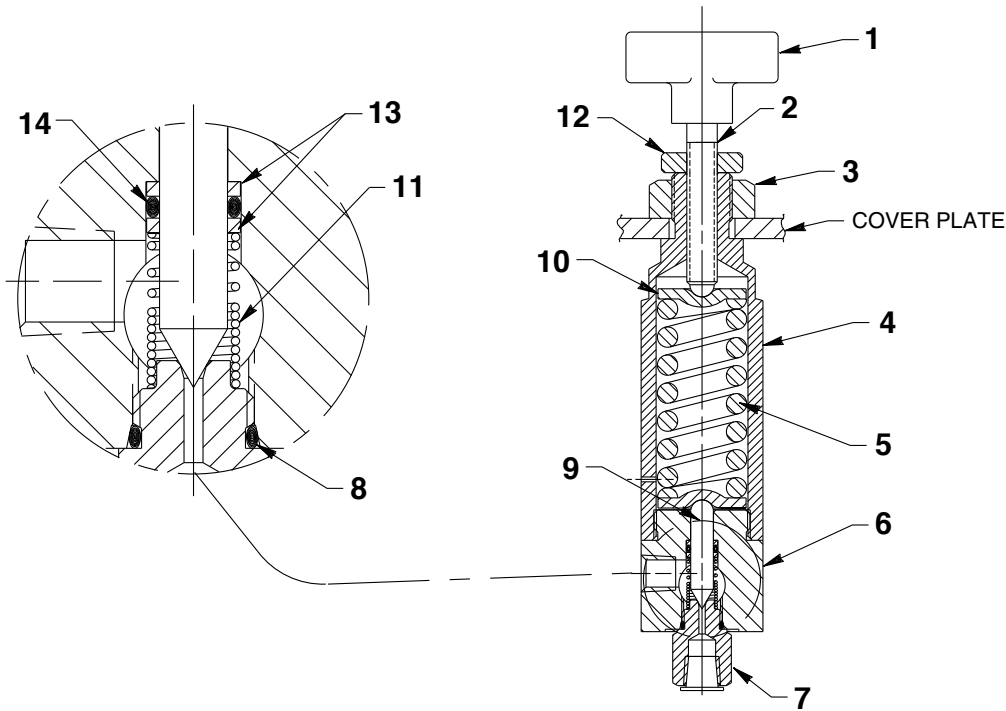
# Parts List, Form No. 108205, Back sheet 3 of 5

| Item No. | Part No. | No. Req'd | Description  |
|----------|----------|-----------|--|
| 1        | 10016    | 3         | Cap Screw (1/4-20 X 1" Lg.)  |
| 2        | -----    | 1         | Basic Pump Assembly<br>(Includes all items on sheet 4 of 5 and items 1, 7, 8, 9,10, 11, 12, 13, 15 & 22 on this sheet) |
| 3        | 20937    | 1         | Vent Cap   |
| 4        | 46627BK2 | 1         | Cover  |
| 5        | 40164    | 1         | Gasket   |
| 6        | 47647    | 1         | External Pressure Regulator<br>(See below)   |
| 7        | 16177    | 1         | 90° Elbow Fitting  |
| 8        | 20776    | 1         | Valve Body   |
| 9        | 20771    | 1         | Poppet   |
| 10       | 10425    | 1         | Comp. Spring (3/8 O.D. X 3/4 Lg.)  |
| 11       | 10261    | 1         | Copper Washer<br>(3/4 X 19/32 X 1/32)  |

| Item No. | Part No. | No. Req'd | Description   |
|----------|----------|-----------|---|
| 12       | 20770    | 1         | Connector (Torque to 40/50 ft.lbs.)                 |
| 13       | 10015    | 2         | Cap Screw (1/4-28 X 1" Lg.; Torque to 180 in. lbs.) |
| 14       | 21278    | 1         | Relief Valve (Set at 10,100/10,700 PSI)             |
| 15       | 10266    | 1         | O-ring (1/4 X 3/8 X 1/16)                           |
| 16       | 10268    | 1         | O-ring (1/2 X 3/8 X 1/16)                           |
| 17       | 11863    | 2         | PFTE Backup Washer                                  |
| 18       | 20787    | 1         | Valve Connector                                     |
| 19       | 10430    | 2         | Tube Sleeve   |
| 20       | 10431    | 2         | Tube Nut  |
| 21       | 21045    | 1         | Oil Line  |
| 22       | 21345    | 1         | Filter Ass'y (Includes Item #23)                    |
| 23       | 10527    | 1         | O-ring (13/16 X .644 X .087)                        |
| 24       | 201570   | 1         | Oil Line Tube                                       |
| 25       | 14844    | 1         | Straight Fitting                                    |

## PRESSURE REGULATOR ASSEMBLY

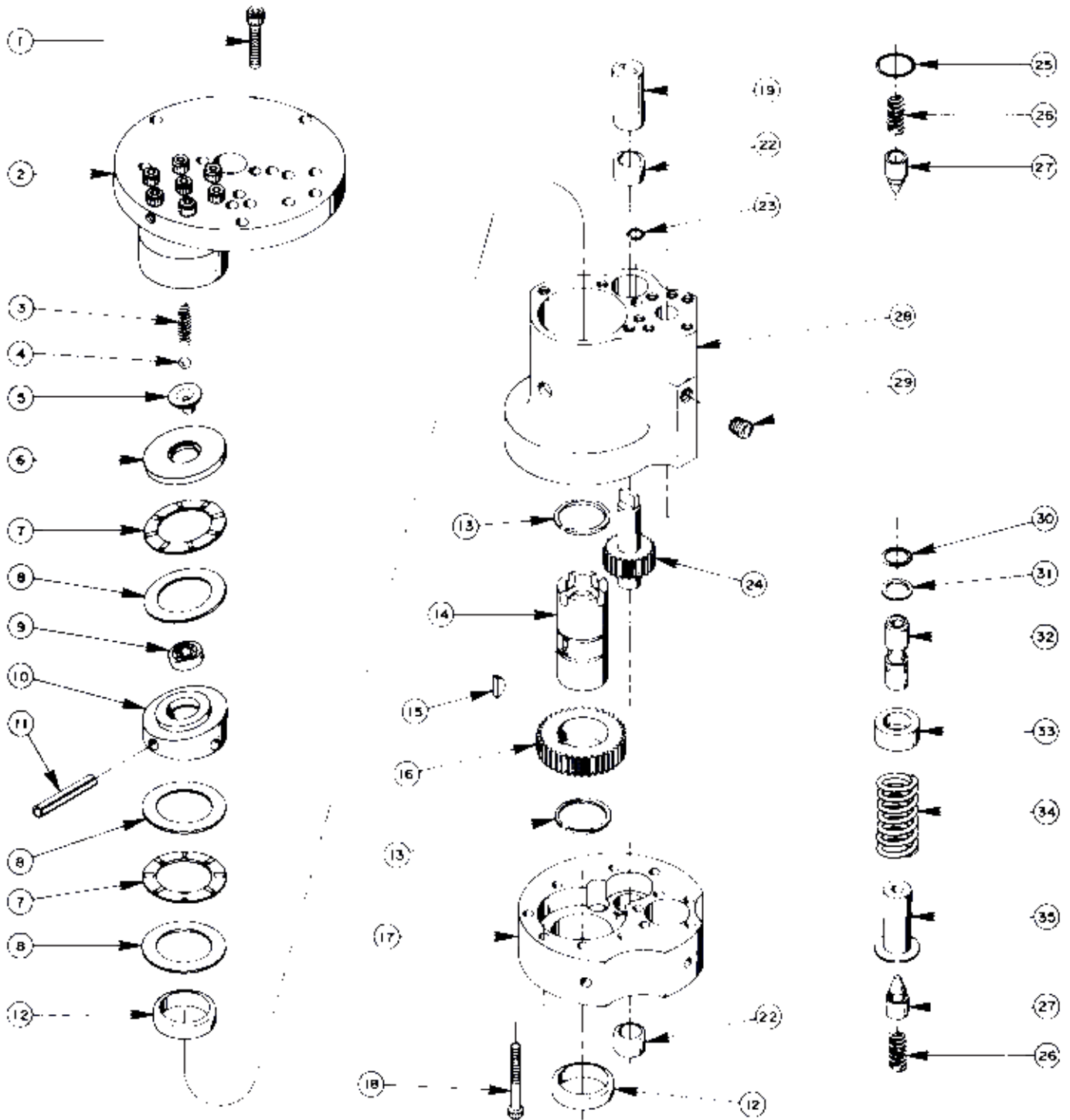
NOTE: Set at 10,100/10,700 PSI



| Item No. | Part No. | No. Req'd | Description   |
|----------|----------|-----------|---|
| 1        | 215693   | 1         | Knob  |
| 2        | 215721   | 1         | Adjustment Stem (Assemble to knob with Loctite No. 242 or equiv.) |
| 3        | 10396    | 1         | Jam Nut   |
| 4        | 309077   | 1         | Regulator Housing   |
| 5        | 215429   | 1         | Compression Spring<br>(1.100 O.D. X 2-1/2 Lg.)                    |
| 6        | 47648    | 1         | Regulator Body  |
| 7        | 309078   | 1         | Seat Fitting  |
| 8        | 13755    | 1         | O-ring (.558 x .414 x .072)                                       |

| Item No. | Part No. | No. Req'd | Description  |
|----------|----------|-----------|--|
| 9        | 309079   | 1         | Poppet   |
| 10       | 215428   | 2         | Spring Retainer (Grease pocket [both ends] before assembly)                  |
| 11       | 215431   | 1         | Spring (Assemble closed coils of spring form towards seat fitting [Item #7]) |
| 12       | 215683   | 1         | Locknut  |
| 13       | 215430   | 2         | Backup Washer  |
| 14       | 10266    | 1         | O-ring (3/8 X 1/4 X 1/16)  |

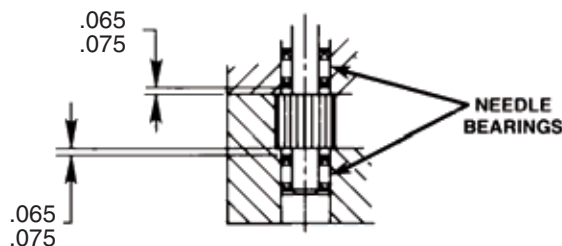
### BASIC PUMP ASS'Y





| <b>Item No.</b> | <b>Part No.</b> | <b>No. Req'd</b> | <b>Description</b>   |
|-----------------|-----------------|------------------|--|
| 1               | 10020           | 9                | Soc. Hd. Cap Screw<br>(1/4-20 X 1-1/4 Lg.; Torque to 170-180 in. lbs.) |
| 2               | 33113           | 1                | High Pressure Pump Ass'y (See back sheet 5 of 5)                       |
| 3               | 10361           | 1                | Compression Spring (1/4 O.D. X 1" Lg.)                                 |
| 4               | 10375           | 1                | Steel Ball (1/4 Dia.)  |
| 5               | 23547           | 1                | Bearing Top Plate  |
| 6               | 23548           | 1                | Top Plate  |
| 7               | 11228           | 2                | Thrust Bearing   |
| 8               | 11813           | 3                | Bearing Race   |
| 9               | 11814           | 1                | Ball Bearing   |
| 10              | 23549           | 1                | Angle Plate  |
| 11              | 11955           | 1                | Roll Pin (1/4 Dia. X 3/4 Lg.)  |
| 12              | 11064           | 2                | Needle Bearing   |
| 13              | 11261           | 2                | Retaining Ring (1-1/8 Shaft)   |
| 14              | 23556           | 1                | Shaft  |
| 15              | 11821           | 1                | Woodruff Key   |
| 16              | 23557           | 1                | Gear   |
| 17              | 30533           | 1                | Pump End Plate   |
| 18              | 10001           | 12               | Soc. Hd. Cap Screw (10-32 X 1-3/4 Lg.; Torque to 50 in. lbs.)          |
| 19              | 21091           | 1                | Aluminum Coupling  |
| 20              | 11199           | 2                | Needle Thrust Bearing (See diagram below)                              |
| 23              | 10266           | 1                | O-ring (1/4 X 3/8 X 1/16)  |
| 24              | 21272           | 1                | Drive Gear   |
| 25              | 10303           | 1                | O-ring (7/8 X 3/4 X 1/16)  |
| 26              | 10425           | 2                | Compression Spring (3/8 O.D. X 3/4 Lg.)                                |
| 27              | 20771           | 2                | Poppet   |
| 28              | 40120           | 1                | Pump Body  |
| 29              | 10427           | 1                | Pipe Plug (1/8 NPTF)   |
| 30              | 10271           | 1                | O-ring (11/16 x 1/2 X 3/32)  |
| 31              | 12389           | 1                | PFTE Backup Washer (11/16 X 1/2 X 1/16)                                |
| 32              | 20849           | 1                | Spool  |
| 33              | 23255           | 1                | Spring Guide   |
| 34              | 10426           | 1                | Compression Spring (1" O.D. X 1-13/16 Lg.)                             |
| 35              | 23256           | 1                | Spring Guide   |

## NEEDLE BEARING INSTALLATION SPECIFICATIONS

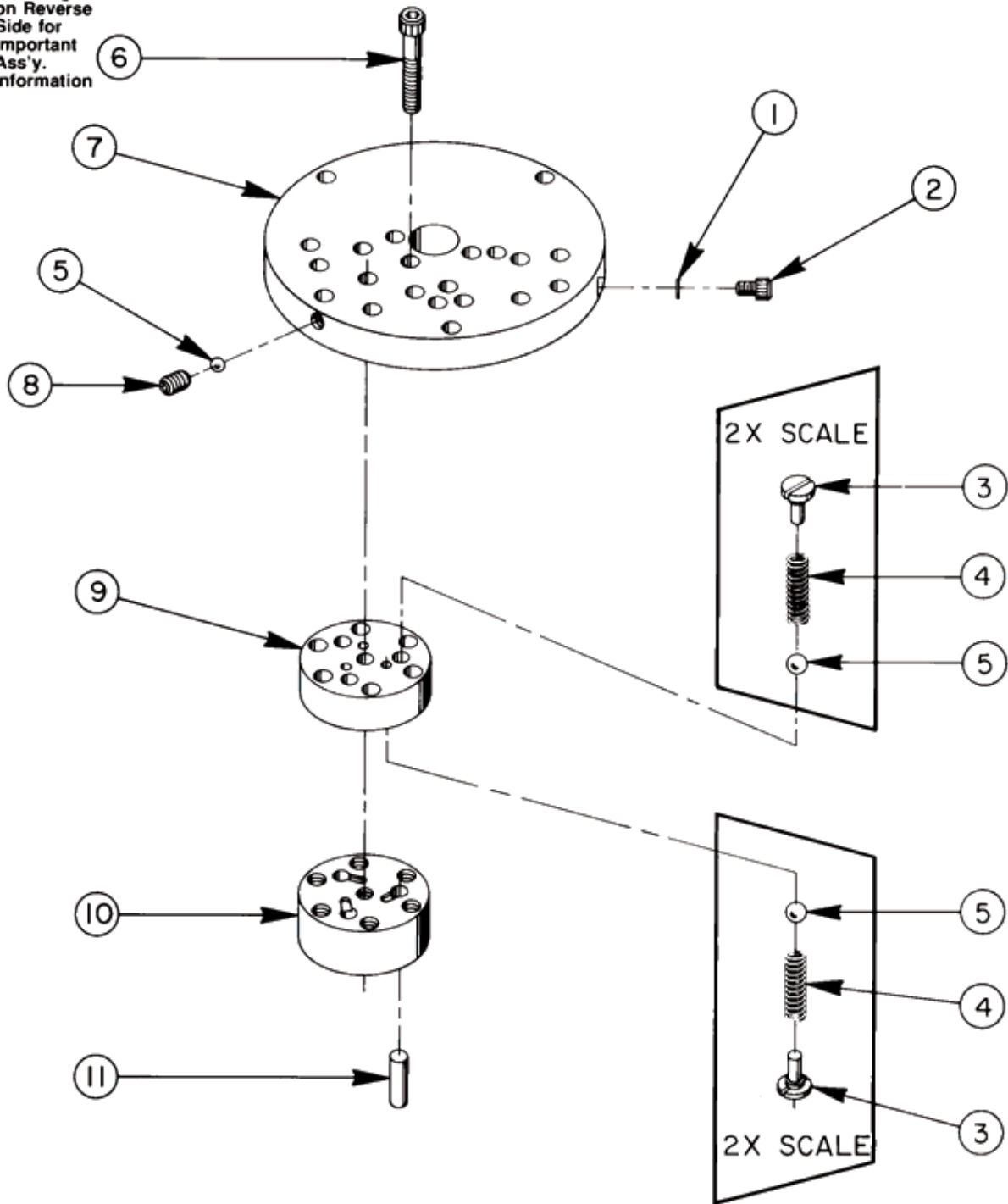


**When replacing the needle bearings on the drive gear of the basic pump, the dimensions shown must be as specified.**



### HIGH PRESSURE PUMP ASSEMBLY

See Diagram on Reverse Side for Important Ass'y. Information

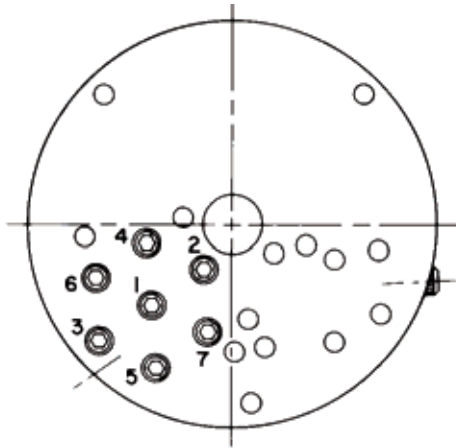


**#33113 HIGH PRESSURE PUMP ASS'Y**  
**(3 Pistons - 9/32 Dia.)**

| Item No. | Part No. | No. Req'd | Description   |
|----------|----------|-----------|---|
| 1        | 10442    | 1         | Copper Washer (3/8 X 1/4 X 1/32)  |
| 2        | 10002    | 1         | Soc. Hd. Cap Screw<br>(1/4-20 NC X 3/8 Lg.; Torque to 140/160 in. lbs.)   |
| 3        | *24549   | 6         | Valve Guide   |
| 4        | *10445   | 6         | Compression Spring (.164 O.D. X .718 Lg.)                                 |
| 5        | *12223   | 7         | Steel Ball (3/16 Dia.)  |
| 6        | *10023   | 7         | Soc. Hd. Cap Screw<br>(1/4-28 NF X 1-1/2 Lg.; Torque to 170/180 in. lbs.) |
| 7        | *50411   | 1         | Top Plate (Aluminum)  |
| 8        | 10519    | 1         | Soc. Set Screw (1/4-28 NC x 3/8 Lg.; Torque to 65/70 in. lbs.)            |
| 9        | *40630   | 1         | Valve Head  |
| 10       | *41062   | 1         | Pump Barrel   |
| 11       | *21628   | 3         | Piston  |

Consult factory when replacing items marked with an asterisk (\*).

**BOLT TIGHTENING SEQUENCE**



**NOTE: Assemble in sequence shown. Lubricate under head and on threads. Torque to 180 in. lbs.**

Refer to any operating instructions included with this product for detailed information about operation, testing, disassembly, reassembly, and preventive maintenance.

Items found in this parts list have been carefully tested and selected. **Therefore: Use only genuine Power Team replacement parts!**

Additional questions can be directed to our Technical Services Department.