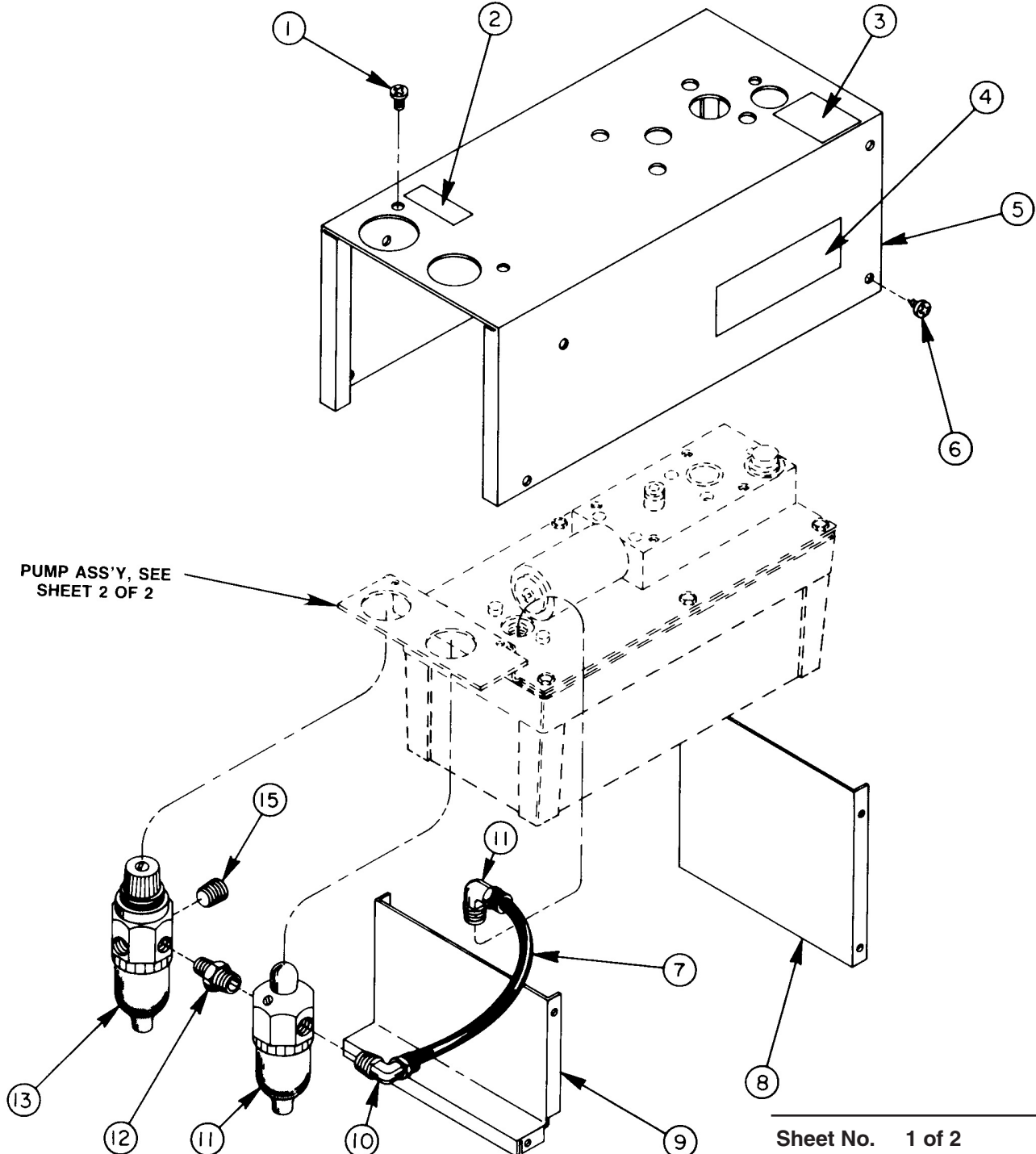


MODEL B
AIR HYDRAULIC PUMP
 Max. Capacity: 3,900 PSI
GENERAL ASSEMBLY



Item No.	Part No.	No. Req'd	Description
1	14126	3	Thread Forming Screw
2	202076	1	Decal (Increase-Decrease)
3	12204	1	Decal (Fill Cap Venting)
4	201932	2	Decal (Trade Name)
5	50886WH2	1	Top Cover
6	14394	8	Self-tapping Screw (#10-16 X 3/8 Lg.)
7	14726	.33 ft.	Plastic Tubing
8	42357PU2	1	Front Panel
9	42358PU2	1	Back Panel
10	15457	2	Elbow
11	15009	1	Air Lubricator (Replacement bowl only -- #206264)
12	16449	1	Hex Nipple (1/8 NPTF to 1/4 NPTF)
13	16452	1	Filter-Regulator Combination (Replacement bowl only -- #206265)
14	10479	1	Pipe Plug (1/4 NPTF)

PARTS INCLUDED BUT NOT SHOWN

15411	1	Decal (Patent)
17946	1	Pressure Gauge (5,000 PSI)
36455	1	Decal (For 100190)
36456	1	Decal (For 100195)

OPTIONAL VALVE/MANIFOLD

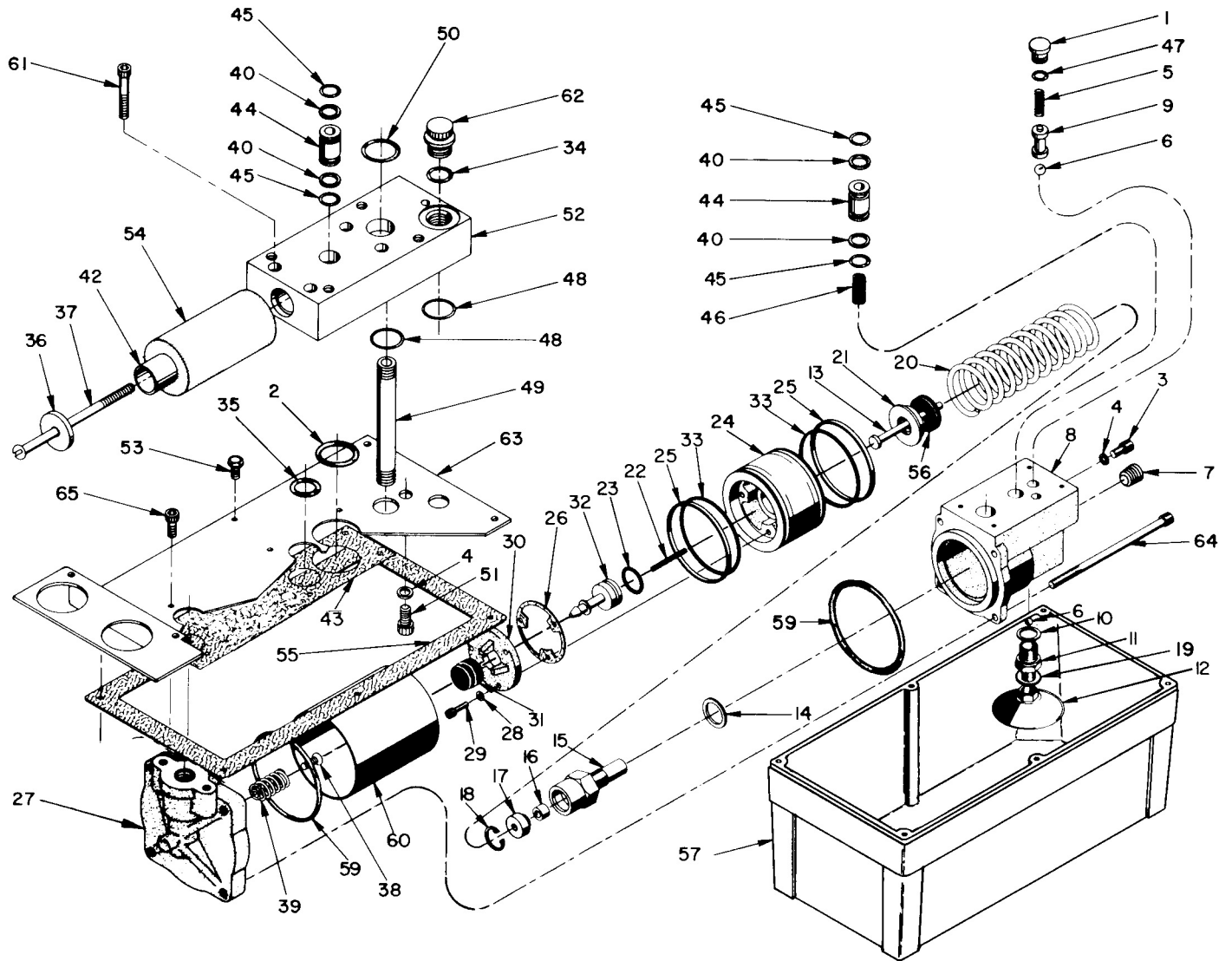
100235	1	3-Way/4-Way Valve Assembly (Used on 100195 -- See Form No. 100374)
9614	1	Manifold Assembly (Used on 100190 -- See Form No. 100604)

Refer to any operating instructions included with this product for detailed information about operation, testing, disassembly, reassembly, and preventive maintenance.

Items found in this parts list have been carefully tested and selected. **Therefore: Use only genuine Hytec replacement parts!**

Additional questions can be directed to our Technical Services Department.

BASIC PUMP ASSEMBLY



Parts List, Form No. 100375, Back sheet 2 of 2

Item No.	Part No.	No. Req'd	Description	Item No.	Part No.	No. Req'd	Description
1	36497	1	Check Valve Body	35	*251214	1	O-ring (1.002 X .720 X .141)
2	*251215	1	O-ring (1.494 X 1.212 X .141)	36	16450	1	Steel Washer
3	10002	1	Cap Screw (1/4-20 X 3/8 Lg.)	37	16453	1	Screw (#10-24 X 4" Lg.;
4	*10442	2	Copper Washer (3/8 X 1/4 X 1/32)				Apply Loctite 277 or equivalent
5	*10445	1	Compression Spring				to external threads.)
			(.164 O.D. X 23/32 Lg.)	38	*205674	1	Cap Screw (#8-32 UNC X 3/8 Lg.)
6	*10423	2	Steel Ball (9/32 dia.)	39	*205679	1	Spring (.485 O.D. X .915 Lg.)
7	10427	1	Pipe Plug (1/8 NPTF)	40	*11863	4	Backup Washer
8	50494	1	Pump Body				(1/2 X 3/8 X 1/16)
9	202568	1	Ball Guide	42	28387	1	Muffler
10	*10261	1	Copper Washer (3/4 X 19/32 X 1/32)	43	*34283	1	Gasket
11	36822	1	Filter Adapter (Torque to 35/40	44	21094	2	Bushing
			ft. lbs. oiled)	45	*10268	4	O-ring (1/2 X 3/8 X 1/16)
12	27680	1	Filter	46	*16448	1	Compression Spring
13	28400	1	Piston				(5/16 O.D. X 13/16 Lg.)
14	*10263	1	Copper Washer (1" X 49/64 X 1/32)	47	*12522	1	Disogren O-ring
15	33959	1	Cylinder (Torque to 90/100				(3/8 X 1/4 X 1/16)
			ft. lbs. oiled)	48	*12549	2	O-ring (13/16 X 3/4 X 1/16)
16	*14121	1	U-cup (11/16 X 7/16 X 1/4)	49	15426	1	Drain Tube
17	202624	1	Retainer	50	*10275	1	O-ring (15/16 X 3/4 X 3/32)
18	*11034	1	Retaining Ring	51	10807	1	Cap Screw (1/4-20 X 1/2 Lg.)
19	*28979	1	Gasket	52	50888	1	Port Block
20	*13938	1	Compression Spring	53	14456	6	Screw (Torque to 25/30 in. lbs.)
			(1-3/16" I.D. X 5" Lg.)	54	*29992	1	Foam Tube
21	28395	1	Spring Guide	55	*33853	1	Reservoir Gasket
22	*12692	1	Spring (3/16 O.D. X 1-1/2" Lg.)	56	*202613	1	Bumper
23	*10303	1	O-ring (7/8 X 3/4 X 1/16)	57	41633	1	Reservoir
24	33824	1	Piston Body	58	15823	4	Lockwasher
25	*14265	2	Piston Ring	59	*17429	1	Backup Washer
26	*28239	1	Gasket				(2-15/16" X 2-3/4" X .045)
27	37468	1	Rear Head	60	37434	1	Air Cylinder (Locate Groove toward
28	10241	3	Lockwasher				top near cover plate.)
29	11434	5	Soc. Hd. Cap Screw	61	11151	4	Soc. Hd. Cap Screw
			(#10-24 X 1/2 Lg.;				(#10-24 X 1-1/4" Lg.)
			Torque to 50/55 in. lbs.)	62	24132	1	Filler Plug
30	33822	1	Piston End Plate	63	50889WH2	1	Cover Plate
31	*28183	1	Piston Poppet	64	17428	4	Soc. Hd. Cap Screw
32	33845	1	Exhaust Valve Stem				(1/4-20 X 4" Lg. -
33	*251835	2	O-ring (2-1/2" X 2-5/16" X 3/32; Nitrile)				Torque to 90/100 in. lbs. oiled.
34	*10300	1	O-ring (5/8 X .468 X .078)				NOTE: Cross torque in
							increments of 50 in. lbs.)

Part numbers marked with an asterisk (*) are contained in Repair Kit No. 300140.