

SPX Corporation  
5885 11th Street  
Rockford, IL 61109-3699 USA

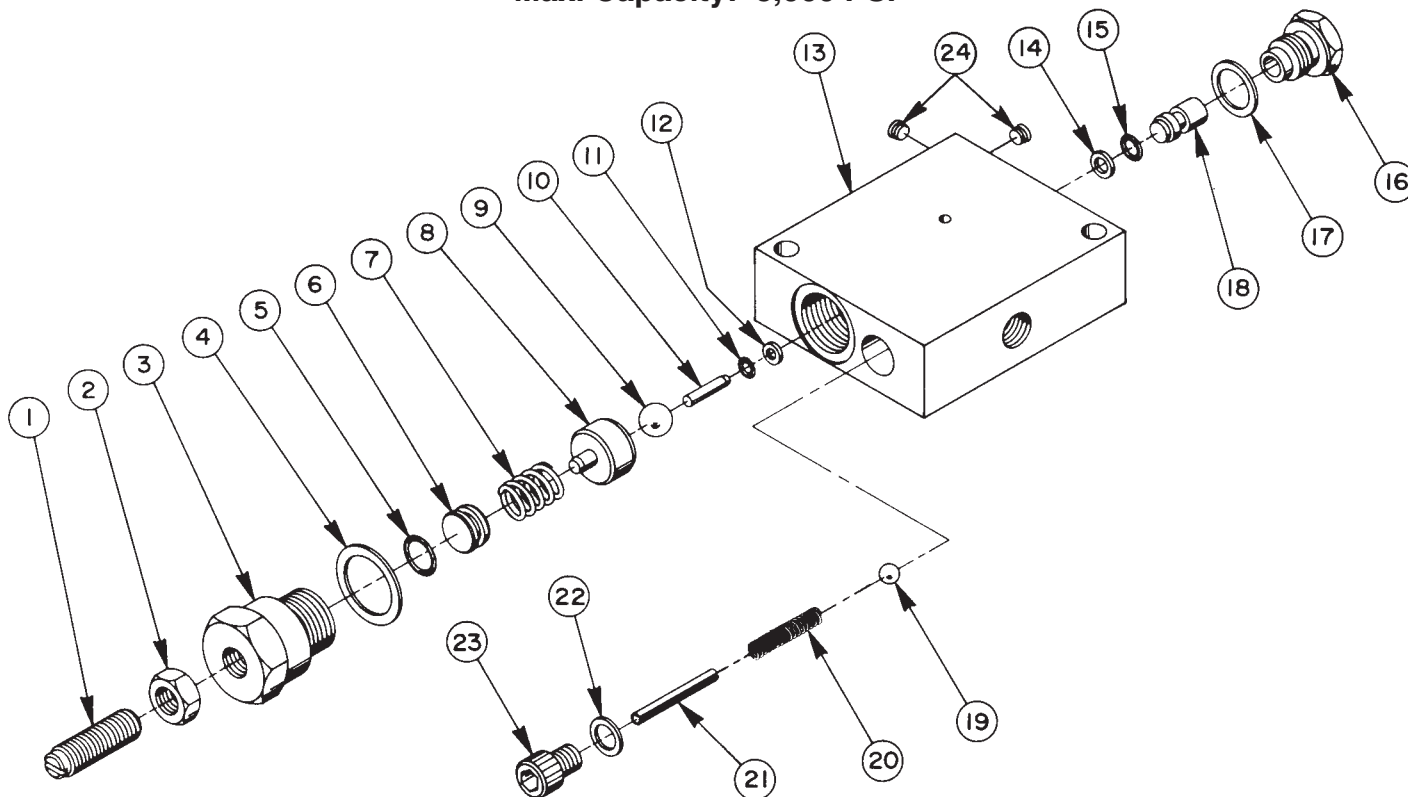
Internet Address:  
<http://www.powerteam.com>  
Tech. Services: (800) 477-8326  
Fax: (800) 765-8326  
Order Entry: (800) 541-1418  
Fax: (800) 288-7031

SPX Corporation  
655 Eisenhower Drive  
Owatonna, MN 55060-0995 USA  
Phone: (507) 455-7000  
Tech. Services: (800) 533-6127  
Fax: (800) 955-8329  
Order Entry: (507) 455-1480  
Fax: (800) 283-8665  
International Sales: (507) 455-7223  
Fax: (507) 455-7746

Parts List for:

9613

**PRESSURE CONTROL - SEQUENCE  
VALVE ASSEMBLY**  
Max. Capacity: 5,000 PSI



| Item No. | Part No. | No. Req'd | Description                                                                                                    |
|----------|----------|-----------|----------------------------------------------------------------------------------------------------------------|
| 1        | 22362    | 1         | Valve Adjusting Screw                                                                                          |
| 2        | 10386    | 1         | Nut (3/8-24 UNF)                                                                                               |
| 3        | 21305    | 1         | Valve Cap (Torque to 60/70 ft. lbs.)                                                                           |
| 4        | 10263    | 1         | Copper Washer (1" X .765 X 1/32)                                                                               |
| 5        | 13943    | 1         | O-ring (1/2 X 3/8 X 1/16, -012)                                                                                |
| 6        | 24629    | 1         | Spring Button                                                                                                  |
| 7        | 10428    | 1         | Compression Spring<br>(1/2 O.D. X 3/4 Lg.)                                                                     |
| 8        | 210285   | 1         | Ball Guide                                                                                                     |
| 9        | 10378    | 1         | Ball (3/8 dia.)                                                                                                |
| 10       | 17026    | 1         | Dowel Pin ( 1/8 dia. X 5/8 Lg.)                                                                                |
| 11       | 10264    | 1         | O-ring (1/4 X 1/8 X 1/16, -006,<br>NOTE: Exercise caution when<br>installing seal past step and cross<br>hole. |
| 12       | 15084    | 1         | Backup Washer<br>(1/4 X 1/8 X .048, -006)                                                                      |
| 13       | 61202    | 1         | Valve Body                                                                                                     |
| 14       | 15174    | 1         | Backup Washer<br>(5/16 X 3/16 X 3/64, -008)                                                                    |
| 15       | 10265    | 1         | O-ring (5/16 X 3/16 X 1/16, -008)                                                                              |

| Item No. | Part No. | No. Req'd | Description                                                                        |
|----------|----------|-----------|------------------------------------------------------------------------------------|
| 16       | 305975   | 1         | Valve Screw (Torque to 30/35 ft. lbs.)                                             |
| 17       | 14874    | 1         | Copper Washer<br>(.700 X 1/2 X 1/32 Thk.)                                          |
| 18       | 210283   | 1         | Piston                                                                             |
| 19       | 10374    | 1         | Ball (7/32 dia.)                                                                   |
| 20       | 250227   | 1         | Compression Spring<br>(3/16 O.D. X 3/8 Lg.,<br>NOTE: Crack pressure is 1 to 4 PSI) |
| 21       | 11566    | 1         | Spring Pin (NOTE: Pin must be<br>bottomed out in hole.)                            |
| 22       | 11031    | 1         | Copper Washer<br>(15/32 X 5/16 X 1/32)                                             |
| 23       | 25683    | 1         | Cap Screw<br>(Torque to 170/180 in. lbs.)                                          |
| 24       | 15499    | 2         | Plug, Pipe (1/8 NPTF)                                                              |

**PARTS INCLUDED BUT NOT SHOWN**  
210293 1 Trade Name Decal

Sheet No. 1 of 1

Rev. Date: 20 Nov. 1991

## SPECIFICATIONS

### OPERATION

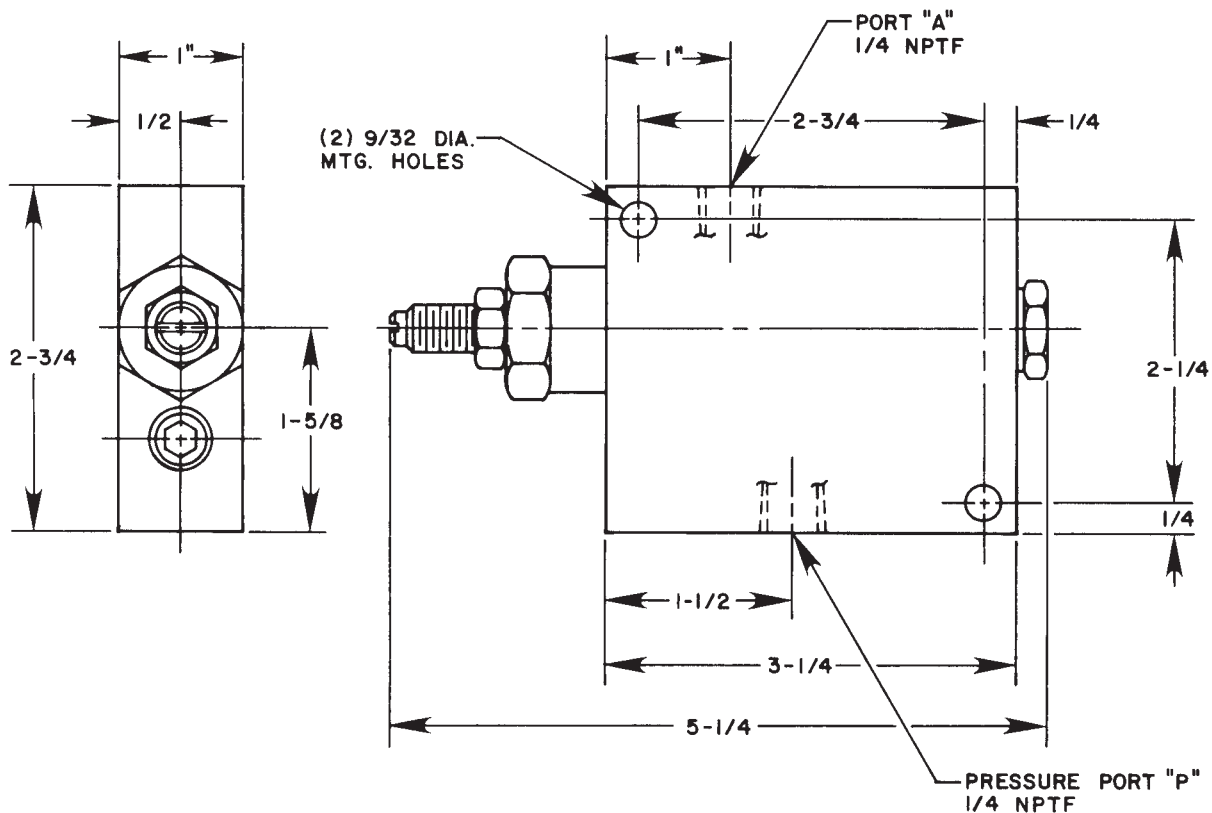
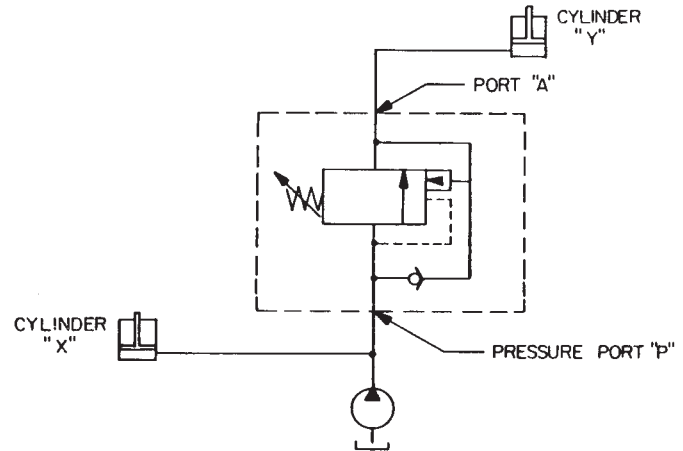
Connect a pump unit and a spring return cylinder "X" to port "P" and another spring return cylinder "Y" to port "A".

When pressure is applied to port "P"; cylinder "X" will advance, but cylinder "Y" should not advance until predetermined pressure setting is obtained.

### NOTE:

- Pressure setting can be adjusted by means of the adjusting screw.
- Sequencing pressure is normally set at 2,000 PSI at the factory.
- Max. Operating Pressure: 5,000 PSI
- Max. Sequence Pressure: 4,000 PSI

### HYDRAULIC SCHEMATIC



Refer to any operating instructions included with this product for detailed information about operation, testing, disassembly, reassembly, and preventive maintenance.

Items found in this parts list have been carefully tested and selected. **Therefore: Use only genuine replacement parts!**

Additional questions can be directed to our Technical Services Department.