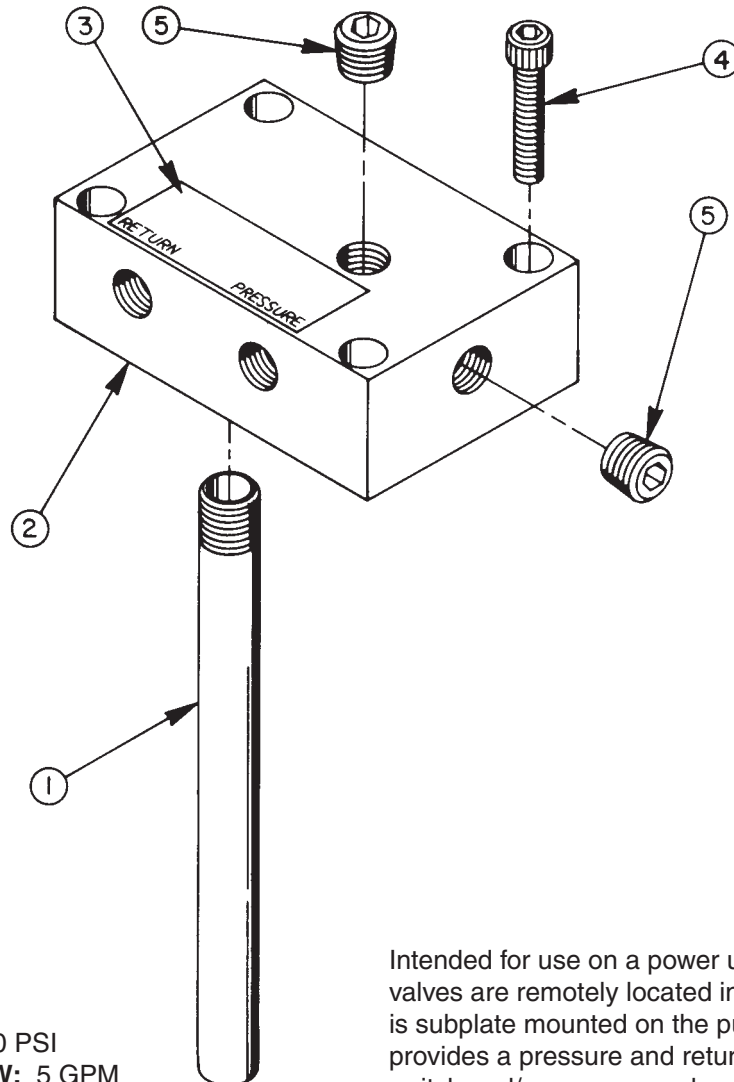


MANIFOLD ASSEMBLY**SPECIFICATIONS**

PORT SIZES: 1/4" NPTF
MAXIMUM PRESSURE: 5,000 PSI
MAX. RECOMMENDED FLOW: 5 GPM

Intended for use on a power unit when the control valves are remotely located in the hydraulic circuit. It is subplate mounted on the pump cover plate and provides a pressure and return port. A pressure switch and/or gauge may be attached if required.

Item No.	Part No.	No. Req'd	Description
1	200609	1	Drain Line
2	45837	1	Manifold Body
3	210995	1	Decal
4	10020	4	Cap Screw (1/4-20 UNC X 1-1/4 Lg.)
5	10479	2	Pipe Plug (1/4 NPTF)