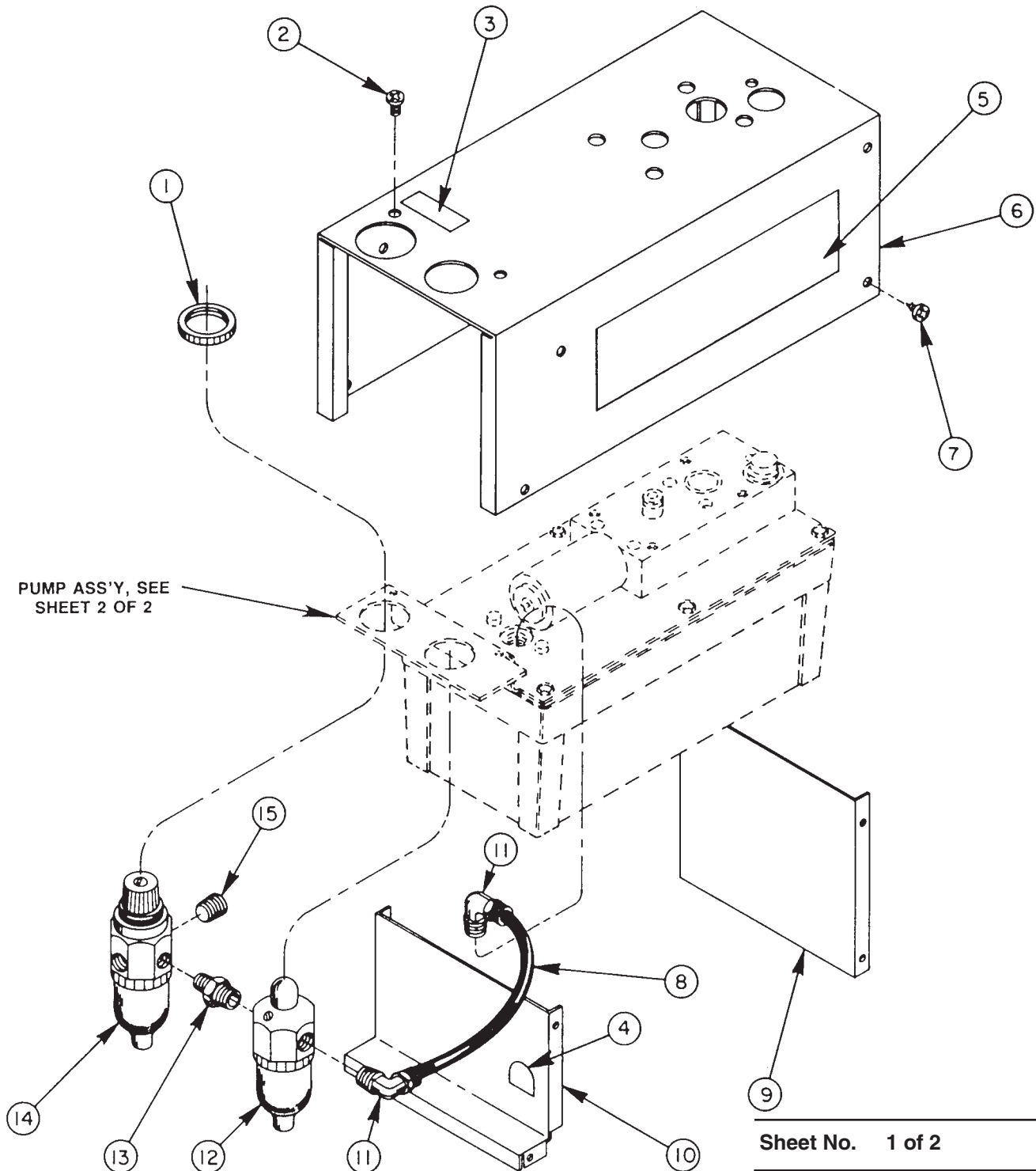


MODEL D
AIR HYDRAULIC PUMP
Max. Capacity: 3,900 PSI



Part List, Form No. 100610, Back sheet 1 of 2

| Item No. | Part No. | No. Req'd | Description |
|-----------------|-----------------|------------------|---|
| 1 | 16614 | 1 | Panel Mounting Ring |
| 2 | 14126 | 3 | Thread Forming Screw |
| 3 | *202076 | 1 | Decal (Increase-Decrease) |
| 5 | 309386 | 2 | Decal (Trade Name) |
| 6 | 50886WH2 | 1 | Top Cover |
| 7 | 14394 | 8 | Self-Tapping Screw |
| 8 | 14726 | .33 Ft. | Plastic Tubing |
| 9 | 42357PU2 | 1 | Front Panel |
| 10 | 42358PU2 | 1 | Back Panel |
| 11 | 15457 | 2 | Elbow |
| 12 | 15009 | 1 | Air Lubricator (Replacement bowl only - #206264; For Wilkerson model. #251076; For Norgren model.) |
| 13 | 16449 | 1 | Hex Nipple |
| 14 | 16452 | 1 | Filter-Regulator Combination (Replacement bowl only - #206265; For Wilkerson model. #251082; For Norgren model) |
| 15 | 10479 | 1 | Pipe Plug |

PARTS INCLUDED BUT NOT SHOWN

| | | |
|--------|---|--|
| 17946 | 1 | Pressure Gauge (5,000 PSI) |
| 10645 | 1 | 45° Elbow Fitting (Used with Pressure Gauge on Manifold) |
| 350492 | 1 | Important Decal |

OPTIONAL VALVE/MANIFOLD

| | | |
|------|---|--|
| 9504 | 1 | 3-Way/4-Way Valve Ass'y (Used on 100195 - See Form No. 100661) |
| 9614 | 1 | Manifold Ass'y (Used on 100190 - See Form No. 100604) |

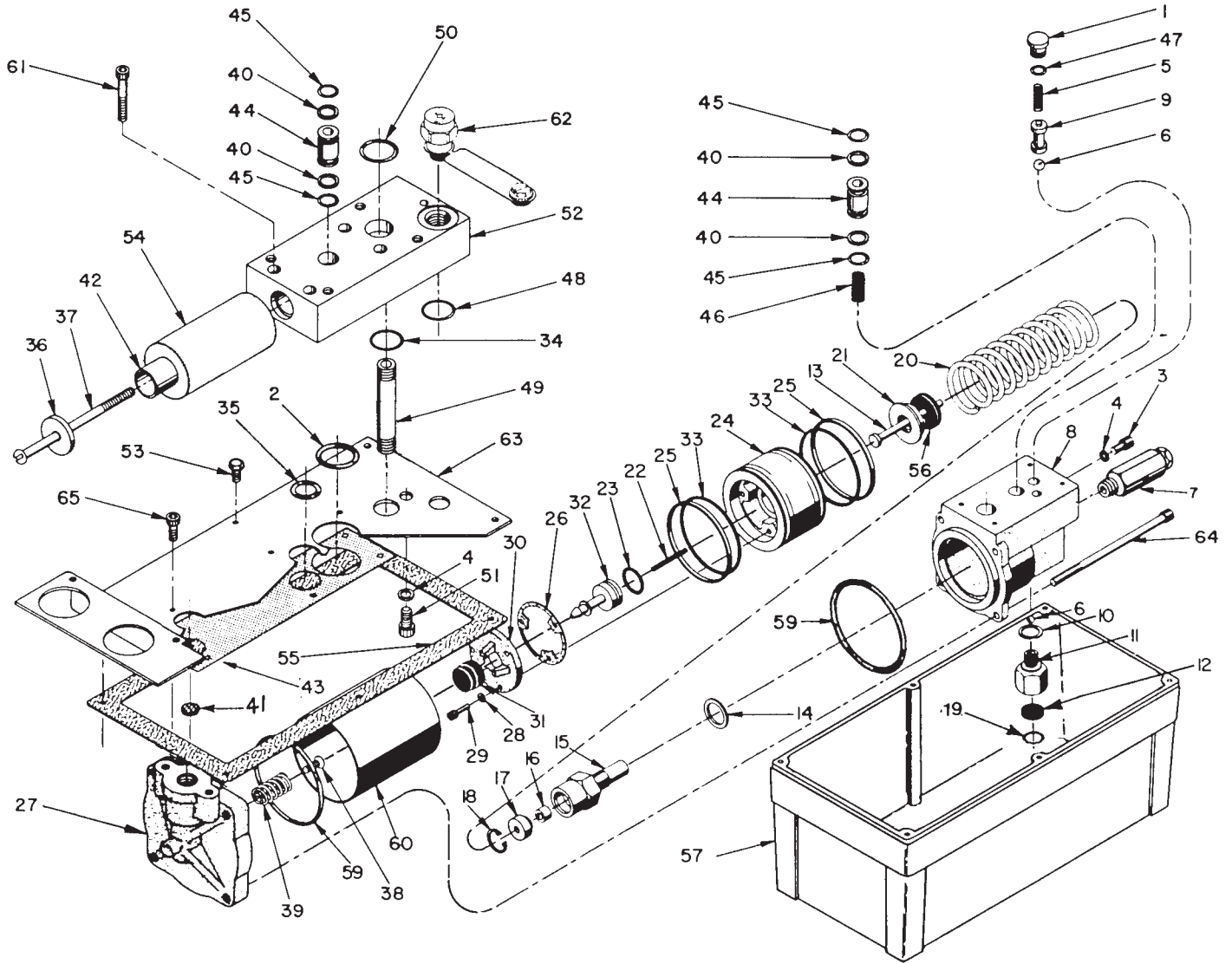
Part numbers marked with an asterisk (*) are contained in Repair Kit No. 300449.

Refer to any operating instructions included with this product for detailed information about operation, testing, disassembly, reassembly, and preventive maintenance.

Items found in this parts list have been carefully tested and selected. **Therefore: Use only genuine Hytec replacement parts!**

Additional questions can be directed to our Technical Services Department.

BASIC PUMP UNIT



Parts List, Form No. 100610, Back sheet 2 of 2

| Item No. | Part No. | No. Req'd | Description | Item No. | Part No. | No. Req'd | Description |
|----------|----------|-----------|--|----------|----------|-----------|---|
| 1 | 36497 | 1 | Check Valve Retainer | 36 | 16450 | 1 | Steel Washer (For 1/4 bolt) |
| 2 | *251215 | 1 | O-ring (1.494 X 1.212 X .141) | 37 | 16453 | 1 | Rnd. Hd. Screw (#10-24 UNC X 4" Lg.; Apply Loctite 277 or equivalent to external threads.) |
| 3 | 10002 | 1 | Cap Screw (1/4-20 UNC X 3/8 Lg.; Torque to 90/110 in. lbs.) | 38 | *205674 | 1 | Cap Screw (8-32 UNC X 3/8 Lg.; Torque to 12/18 in. lbs) |
| 4 | *10442 | 2 | Copper Washer (3/8 X 1/4 X 1/32) | 39 | *205679 | 1 | Spring (.485 O.D. X .915 Lg.) |
| 5 | 10445 | 1 | Compression Spring (5/32 O.D. X 3/4 Lg.) | 40 | *11863 | 4 | Backup Washer (1/2 X 3/8 X 1/16) |
| 6 | *10423 | 2 | Steel Balls (9/32 dia.) | 41 | *216296 | 1 | Filter Disc |
| 7 | 21278-50 | 1 | Relief Valve Assembly (Set at 5,100/5,700 PSI) | 42 | 28387 | 1 | Muffler |
| 8 | 50494 | 1 | Pump Body | 43 | *34283 | 1 | Gasket |
| 9 | 202568 | 1 | Ball Guide | 44 | 21094 | 2 | Bushing |
| 10 | *10261 | 1 | Copper Washer (3/4 X 19/32 X 1/32) | 45 | *10268 | 4 | O-ring (1/2 X 3/8 X 1/16) |
| 11 | 48010 | 1 | Filter Adapter (Torque to 40/45 ft. lbs. oiled) | 46 | 16448 | 1 | Compression Spring |
| 12 | 214578 | 1 | Filter | 47 | *12522 | 1 | O-ring (3/8 X 1/4 X 1/16) |
| 13 | 28400 | 1 | Piston | 48 | *12549 | 1 | O-ring (13/16 X 11/16 X 1/16) |
| 14 | *10263 | 1 | Copper Washer (1" X .765 X 1/32) | 49 | 15024 | 1 | Close Nipple |
| 15 | 33959 | 1 | Cylinder (Torque to 90/100 ft. lbs. oiled) | 50 | *10275 | 1 | O-ring (15/16 X 3/4 X 3/32) |
| 16 | *253095 | 1 | U-cup | 51 | 10807 | 1 | Cap Screw (1/4-20 UNC X 1/2 Lg.) |
| 17 | 202624 | 1 | Retainer | 52 | 50888 | 1 | Port Block |
| 18 | *11034 | 1 | Retaining Ring (Install with sharp edge toward retained part) | 53 | 211060 | 10 | Screw (4 used for mtg.) (#9-15 X 1" Lg.; Torque to 25/35 in. lbs.) |
| 19 | 214586 | 1 | Retaining Ring (Internal) | 54 | *29992 | 1 | Foam Tube |
| 20 | *13938 | 1 | Compression Spring (1.452 O.D. X 4-7/16" Lg.) | 55 | *33853 | 1 | Reservoir Gasket |
| 21 | 211082 | 1 | Spring Guide | 56 | *202613 | 1 | Bumper |
| 22 | *12692 | 1 | Spring (3/16 O.D. X 1-11/16" Lg.) | 57 | 61243 | 1 | Reservoir |
| 23 | *211052 | 1 | O-ring (.900 X .706 X .097) | 59 | *17429 | 2 | Backup Ring (2-15/16" X 2-3/4" X .045) |
| 24 | 52390 | 1 | Piston Body | 60 | 37434 | 1 | Air Cylinder (Locate Groove toward top near cover plate.) |
| 25 | *14265 | 2 | Piston Ring | 61 | 11151 | 4 | Soc. Hd. Cap Screw (10-24 UNC X 1-1/4" Lg.; Torque to 50/60 in. lbs.) |
| 26 | *28239 | 1 | Gasket | 62 | 24132S | 1 | Filler/Vent Plug |
| 27 | 37468 | 1 | Rear Head | 63 | 50889WH2 | 1 | Cover Plate |
| 28 | 10241 | 3 | Lockwasher (#10 bolt) | 64 | 17428 | 4 | Soc. Hd. Cap Screw (1/4-20 UNC X 3-1/2" Lg.; Torque to 85/95 in. lbs. oiled. Note: Cross torque in increments of 30 in. lbs.) |
| 29 | 211054 | 3 | Soc. Hd. Cap Screw (#10-24 X 1/2 Lg.; Torque to 50/55 in. lbs.) | 65 | 11434 | 2 | Cap Screw (10-24 UNC X 1/2 Lg.; Torque to 50/60 in. lbs.) |
| 30 | 33822 | 1 | Piston End Plate | | | | |
| 31 | *28183 | 1 | Piston Poppet | | | | |
| 32 | 305475 | 1 | Exhaust Valve Stem | | | | |
| 33 | *251835 | 2 | O-ring (2-1/2" X 2-5/16" X 3/32) | | | | |
| 34 | *10304 | 1 | O-ring (1" X 7/8 X 1/16; For model 100190 if built after 12/89) | | | | |
| | *12549 | 1 | O-ring (13/16 X 11/16 X 1/16; For model 100195 and model 100190 built before 12/89.) | | | | |
| 35 | *251214 | 1 | O-ring (1.002 X .720 X .141) | | | | |

Part numbers marked an asterisk (*) are contained in Repair Kit No. 300449.

Note: Shaded areas reflect last revision(s) made to this form.