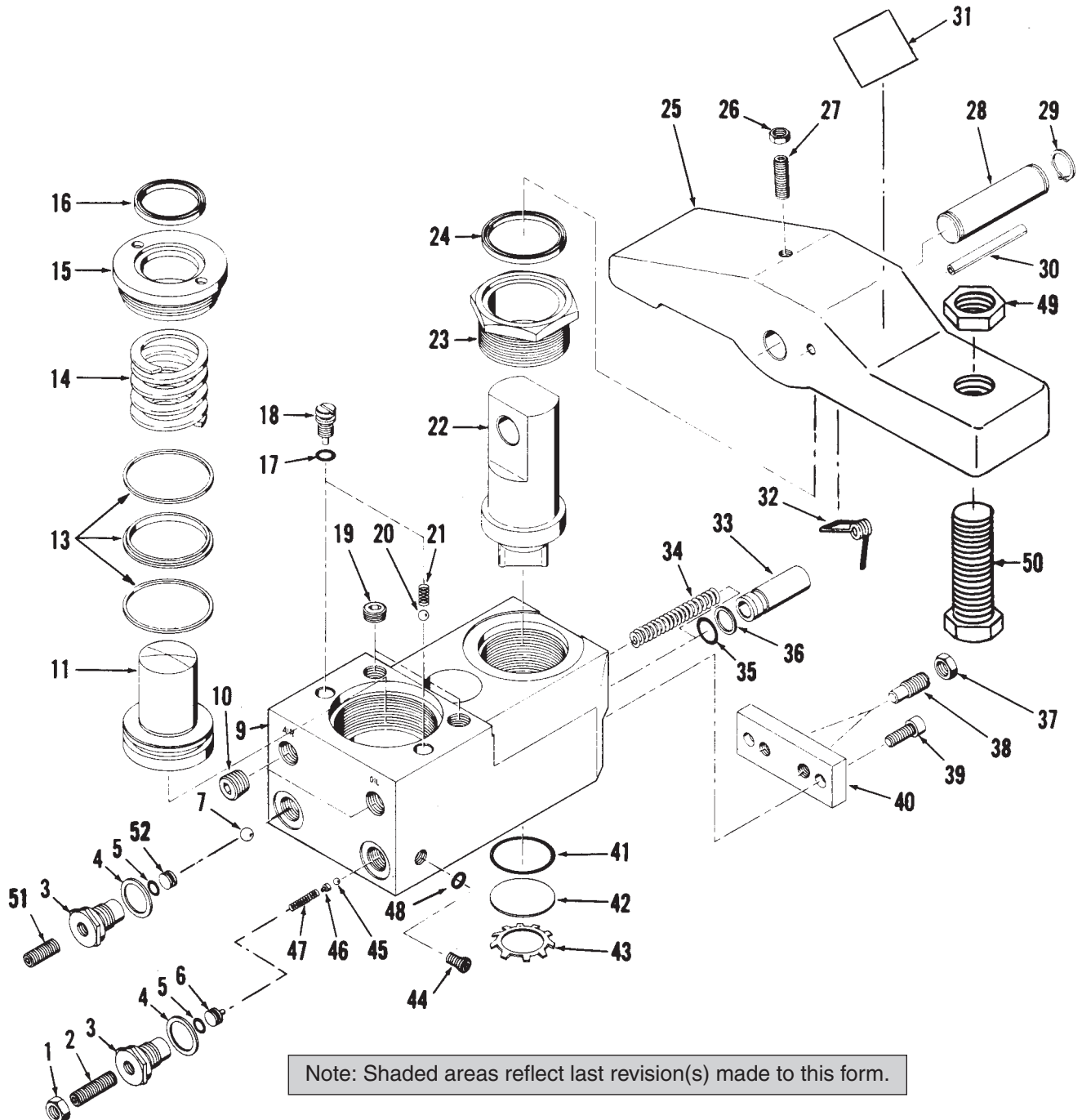


Parts List for:

100106
100107
100108

110102
110104
110106

MODEL B
SWING CLAMP
AIR/SPRING RETURN, LEFT HAND



Note: Shaded areas reflect last revision(s) made to this form.

Parts List, Form No. 100640, Back sheet 1 of 2

CATALOG NUMBER

Item No.	CATALOG NUMBER						No. Req'd	Description
	100106	100107	100108	110102	110104	110106		
Item No.	Part No.						No. Req'd	Description
1	10200	10200	10200	10200	10200	10200	1	Self-locking Nut (Torque to 70/80 in. lb.)
2	15503	15503	15503	15503	15503	15503	1	Set Screw (1/4-28 UNF X 1" Lg.)
3	26570	26570	26570	26570	26570	26570	2	Guide (Torque to 325/350 in. lb.)
4	†*10261	††*10261	†††*10261	†††*10261	††*10261	†*10261	2	Copper Washer (3/4 X 19/32 X 1/32)
5	*15023	*15023	*15023	*15023	*15023	*15023	2	Disogrin O-ring (5/16 x 3/16 X 1/16)
	†206487	††206487	†††206487	†††206487	††206487	†206487	2	O-ring (5/16 X 3/16 X 1/16)
6	200539	200539	200539	200539	200539	200539	1	Ball and Spring Guide
7	*10377	*10377	*10377	*10377	*10377	*10377	1	Steel Ball (5/16 Dia.)
9	60242	60243	60246	421768	421769	421770	1	Body
10	10479	10479	10479				2	Pipe Plug (1/4 NPTF)
				250883	250883	250883	2	Plug Fitting (1/4 tube)
11	35360	35364	35423	35423	35364	35360	1	Ram
13	*14884	*15157	*15153	*15153	*15157	*14884	1	Tee Seal & Backup Rings (Smooth side of Backup Ring must be against seal)
	†19235	††19228	†††19224	†††19224	††19228	†19235	1	Tee Seal & Backup Rings (Smooth side of Backup Ring must be against seal)
14	*15107	*15108	*15109	*15109	*15108	*15107	1	Spring
15	35447					35447	1	Retainer (Torque to 60/70 ft. lb.)
		35448				35448	1	Retainer (Torque to 50/60 ft. lb.)
			35452	35452			1	Retainer (Torque to 40/50 ft. lb.)
16	*15089	*15088	*15092	*15092	*15088	*15089	1	Rod Wiper Seal
	†19319	††19318	†††19321	†††19321	††19318	†19319	1	Rod Wiper
17	*12522	*12522	*12522	*12522	*12522	*12522	2	Disogrin O-ring (3/8 X 1/4 X 1/16)
	†206486	††206486	†††206486	†††206486	††206486	†206486	2	O-ring (3/8 X 1/4 X 1/16)
18	200540	200540	200540	200540	200540	200540	2	Retainer
19	15499	15499	15499	15499	15499	15499	2	Pipe Plug (1/8 NPTF)
20	*10374	*10374	*10374	*10374	*10374	*10374	1	Steel Ball (7/32 Dia.)
21	*15502	*15502	*15502	*15502	*15502	*15502	1	Comp. Spring (1/64 O.D. X 5/16 Lg.)
22	41874	41875	41895	41895	41875	41874	1	Pivot Shaft
23	200547					200547	1	Retainer Nut (Torque to 255/295 ft. lb.)
		200552				200552	1	Retainer Nut (Torque to 150/190 ft. lb.)
			200596	200596			1	Retainer Nut (Torque to 110/120 ft. lb.)
24	*15505	*15089	*15091	*15091	*15089	*15505	1	Rod Wiper Seal
	†19322	††19319	†††19320	†††19320	††19319	†19322	1	Rod Wiper
25	42394	42395	42393	42393	42395	42394	1	Arm
26	12809	12809	12809	12809	12809	12809	1	Self-locking Nut
27	15580	10139	10139	10139	10139	10139	1	Set Screw (1/4 -20 UNC X 3/4 Lg.)
28	200580	200589	200639	200639	200589	200580	1	Pin
29	11901	15529	15564	15564	15529	11901	2	Retaining Ring
30	11206	12298	11418	11418	12298	11206	1	Roll Pin
31	215829	215829	215829	215829	215829	215829	1	Decal
32	*203022	*203022	*200662	*200662	*203022	*203022	1	Torsion Spring
33	35362	35362	35362	35362	35362	35362	2	Piston
34	*15506	*15506	*15506	*15506	*15506	*15506	1	Comp. Spring (19/64 O.D. X 3" Lg.)
35	*12098	*12098	*12098	*12098	*12098	*12098	2	O-ring (9/16 X 7/16 X 1/16)
	†18975	††18975	†††18975	†††18975	††18975	†18975	2	O-ring (9/16 X 7/16 X 1/16)
36	†*15500	††*15500	†††*15500	†††*15500	††*15500	†*15500	2	Back-Up Washer

Note: Shaded areas reflect last revision(s) made to this form.

Continued -

CATALOG NUMBER							No. Req'd	Description
100106	100107	100108	110102	110104	110106			
Item No.	Part No.							
37	10384	10384	10384	10384	10384	10384	2	Self-locking Nut
38	200595	200595	200595	200595	200595	200595	2	Adjustable Stop (Apply loctite #24 or equivalent.)
39	10006	10006	10006	10006	10006	10006	2	Cap Screw (1/4-20 UNC X 5/8 Lg.; Torque to 140/160 in. lb.)
40	35404	35404	35404	35404	35404	35404	1	End Cap
41	*15175	*15175	*15175	*15175	*15175	*15175	1	O-ring (1-1/4 X 1-1/8 X 1/16)
	†18981	††18981	†††18981	†††18981	††18981	†18981	1	O-ring (1-1/4 X 1-1/8 X 1/16)
42	15526	15526	15526	15526	15526	15526	1	Washer Plug
43	†12198	††12198	†††12198	†††12198	††12198	†12198	1	Internal Retaining Ring
44	15951	15951	15951	15951	15951	15951	2	Screw (10-24 UNC X 1/4 Lg.; Torque to 35/45 in. lb.)
45	*12223	*12223	*12223	*12223	*12223	*12223	1	Steel Ball (3/16 Dia.)
46	200548	200548	200548	200548	200548	200548	1	Spring Guide
47	*15501	*15501	*15501	*15501	*15501	*15501	1	Comp. Spring (1/8 I.D. X 1" Lg.)
48	*14319	*14319	*14319	*14319	*14319	*14319	2	Washer (5/16 X 3/16 X 1/32)
49	10399	10395	10391	10391	10395	10399	1	Jam Nut
50	202221	202223	202209	202209	202223	202221	1	Contact Pin
51	16591	16591	16591	16591	16591	16591	1	Set Screw (1/4-28 UNF X 1/2 Lg.; Torque to 70/80 in. lb.)
52	202425	202425	202425	202425	202425	202425	1	Ball Retainer

PARTS INCLUDED BUT NOT SHOWN

†205724	††205724	†††205724	†††205724	††205724	†205724	1	Decal (Viton)
---------	----------	-----------	-----------	----------	---------	---	---------------

Part numbers marked with an asterisk (*) are in the Standard Repair Kit as follows:

Repair Kit No. 200651 for 100106 & 110106

Repair Kit No. 200652 for 100107 & 110104

Repair Kit No. 200653 for 100108 & 110102

Part numbers marked with one dagger (†) are in Viton Seal Kit No. 300242 for 100106 & 110106.

Part numbers marked with two daggers (††) are in Viton Seal Kit No. 300243 for 100107 & 110104.

Part numbers marked with three daggers (†††) are in Viton Seal Kit No. 300244 for 100108 & 110102.

Note: Shaded areas reflect last revision(s) made to this form.

Refer to any operating instructions included with this product for detailed information about operation, testing, disassembly, reassembly, and preventive maintenance.

Items found in this parts list have been carefully tested and selected. **Therefore: Use only genuine Hytec replacement parts!**

Additional questions can be directed to our Technical Services Department.