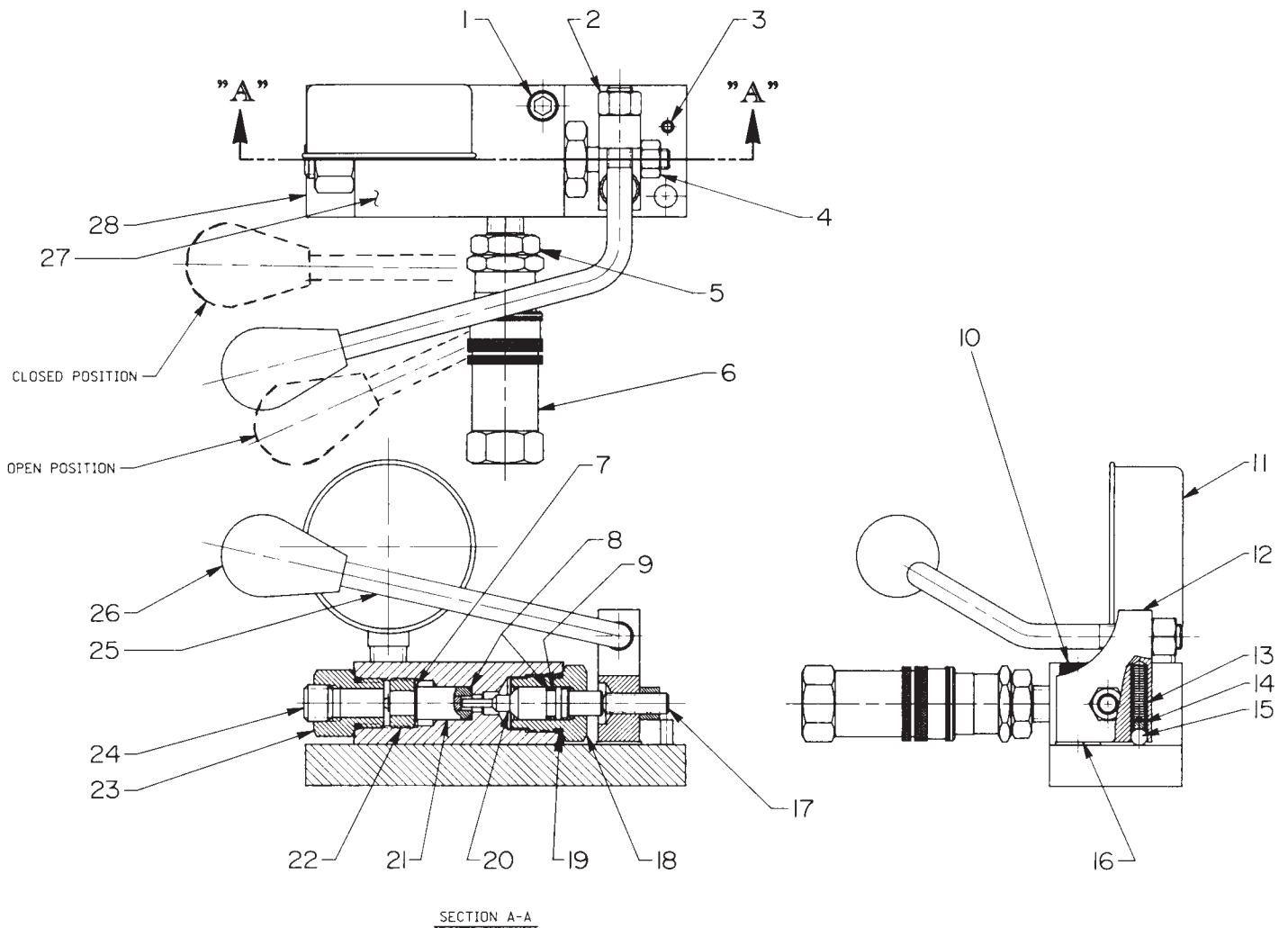


PALLET VALVE



Parts List, Form No. 100680, Back sheet 1 of 1

Item No.	Part No.	No. Req'd	Description
1	10809	2	Cap Screw (5/16-18UNC X 1.250)
2	12013	1	Locknut
3	11418	1	Slotted Spring Pin
4	13116	1	Locknut
5	213770	1	Quick Disconnect Coupler-Plug
6	213771	1	Quick Disconnect Coupler-Socket
7	12042	1	Copper Washer
8	10268	2	O-ring (1/2 X 3/8 X 1/16, -012)
9	11863	1	O-ring (1/2 X 3/8 X 1/16, -012)
10	213768	1	Shouldered Cap Screw
11	17946	1	Pressure Gauge
12	46828	1	Lever
13	213769	1	Compression Spring (1/4 O.D. X 1 7/8 Lg.)
14	200796	1	Spring & Ball Adapter
15	10375	1	Steel Ball (1/4 Dia.)
16	211497	1	Back-up Washer
17	213767	1	Set Screw-Oval Pt.
18	307506	1	Guide Plug
19	10653	1	O-ring (.949 X .755 X .097, -910)
20	307507	1	Pin
21	213204	1	Check Valve
22	17055	1	Hollow Lock Screw (Torque to 180-200 in. lbs.)
23	213766	1	Straight Fitting
24	10479	1	Pipe Plug
25	307508	1	Handle
26	211911	1	Plastic Knob
27	52911	1	Valve Body
28	307509	1	Mounting Plate

Refer to any operating instructions included with this product for detailed information about operation, testing, disassembly, reassembly, and preventive maintenance.

Items found in this parts list have been carefully tested and selected. **Therefore: Use only genuine Hytec replacement parts!**

Additional questions can be directed to our Technical Services Department.