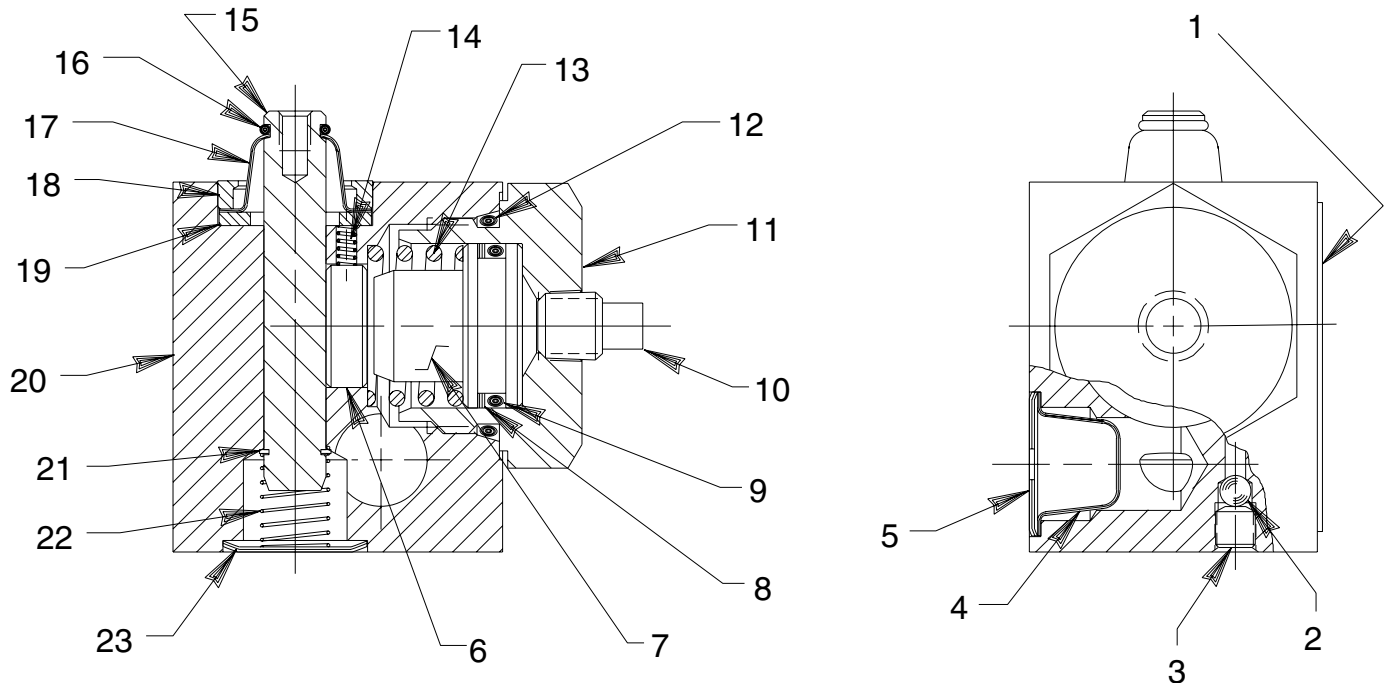


## MINI HYDRAULIC WORK SUPPORT



Item No.	Part No.	No. Req'd	Description
1	214829	1	Trade Name Decal
2	†12223	1	Metallic Ball (3/16 dia.)
3	†10136	1	Hex Soc. Set Screw (1/4-20 x 1/4 Lg.)
4	214792	1	Rubber Diaphragm
5	214793	1	Expansion Plug (with hole)
6	206318	1	Shim
7	214790	1	Piston Plunger
8	*19131	1	Backup Washer (1" x 13/16 x .048, -117)
9	*10658	1	O-ring (1" X 13/16 X 3/32, -117)
10	11048	1	Plug Fitting (1/8 NPTF)
11	308479	1	Cylinder Nut (Torque to 120/130 ft. lbs.)
12	*11495	1	O-ring (1-13/32 x 1-11/64 x .116, - 916)
13	16346	1	Compression Spring

Item No.	Part No.	No. Req'd	Description
14	206439	1	Compression Spring (1" O.D. X 7/8 Lg.)
15	308480	1	Support Plunger
16	*10266	1	O-ring (3/8 X 1/4 X 1/16, -010)
17	*214796	1	Boot Diaphragm
18	214794	1	Boot Ring
19	214795	1	Spacer
20	47142	1	Work Support Body
21	10850	1	Retaining Ring
22	214824	1	Compression Spring (3/8 I.D. x 13/16 Lg.)
23	*205644	1	Expansion Plug (Note: Must fit below or flush with surface. Seal in place with Loctite Gasket Eliminator 510 or equivalent.)

Part numbers marked with an asterisk (\*) are contained in Repair Kit No. 300488.

† Note: To insure proper diaphragm positioning,  
assemble the following parts last:

12223 (Item 2)  
10136 (Item 3)

Sheet No. 1 of 1

Issue Date: Rev. 9-15-92