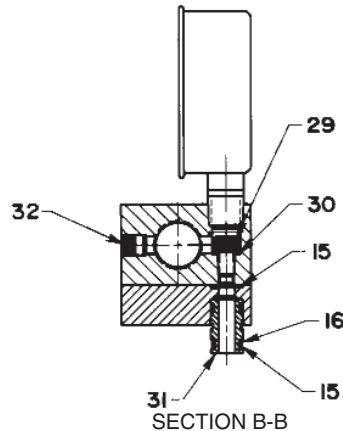
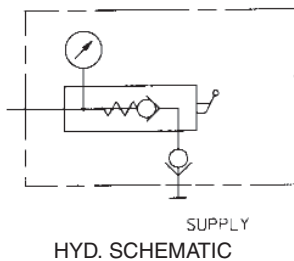
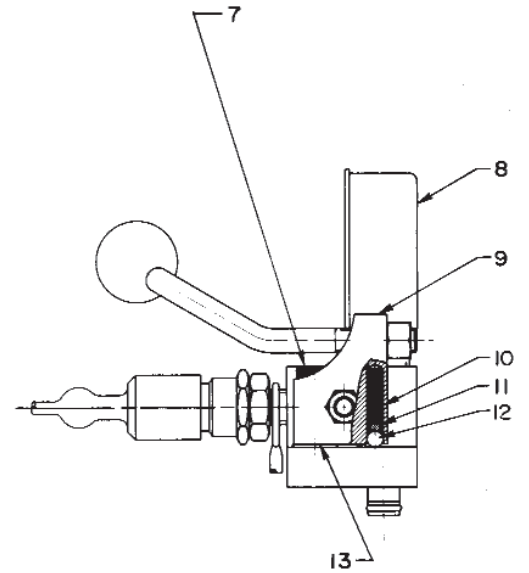
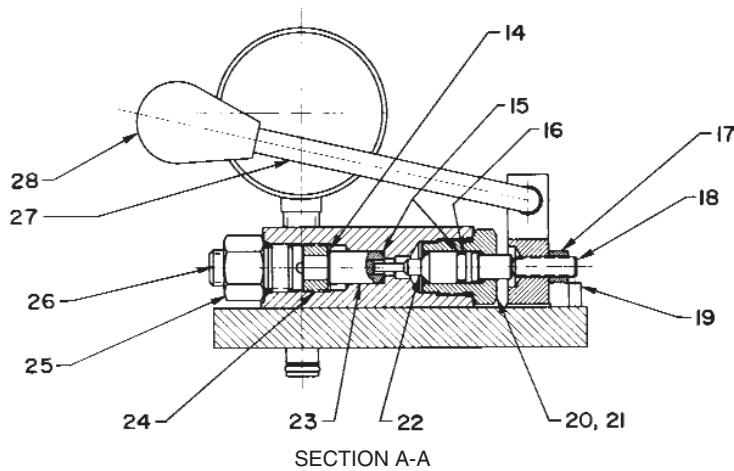
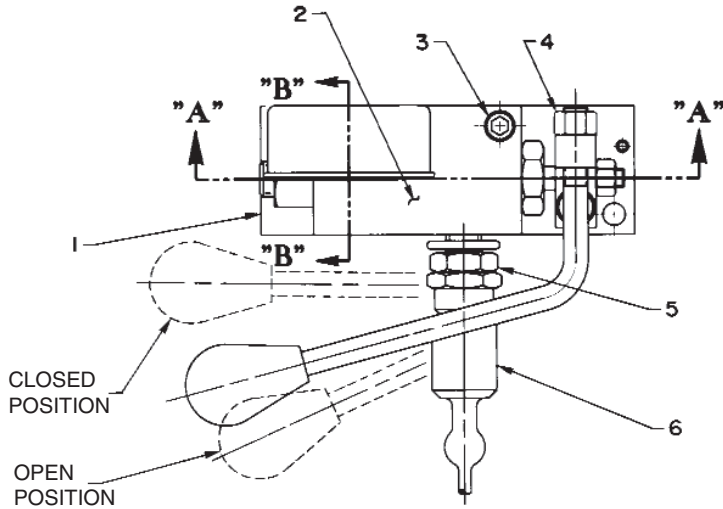


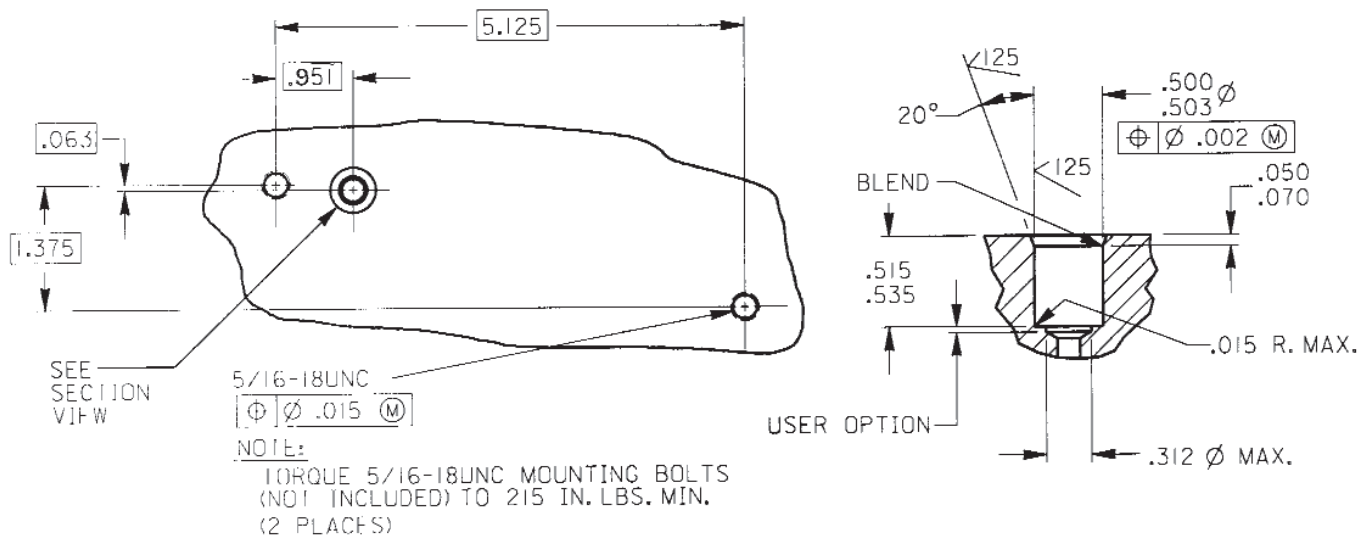
**MODEL C
MANUAL PALLET VALVE**
With Manifold Mount Capabilities



Part List, Form No. 100765, Back sheet 1 of 1

Item No.	Part No.	No. Req'd	Description
1	48012	1	Mounting Plate
2	53510	1	Valve Body
3	10809	2	Cap Screw (5/16-18 X 1-1/4 Lg.)
4	215295	1	Locknut (3/8-16 UNC-2B-LH; Torque TO 200 in.lbs.)
5	213770	1	Quick Disconnect Coupler-Plug
6	250046	1	Dust Cap
7	213768	1	Shouldered Cap Screw (3/8 Dia. X 1" Lg.; Torque to 180-200 in. lbs.)
8	17946	1	Pressure Gauge (0-6000 PSI)
9	47568	1	Lever
10	213769	1	Compression Spring (1/4 O.D. X 1-7/8 Lg.)
11	200796	1	Spring & Ball Adapter
12	10375	1	Steel Ball (1/4 Dia.)
13	211497	1	Backup Washer (-205)
14	12042	1	Copper Washer (9/16 X 3/8 X 1/32)
15	10268	5	O-ring (1/2 X 3/8 X 1/16, -012)
16	11863	3	Backup Washer (1/2 x 3/8 X 1/16, -012)
17	13116	1	Locknut (5/16-18 UNC)
18	213767	1	Set Screw-Oval Pt. (5/16-18 X 1" Lg.)
19	11418	1	Slotted Spring Pin (3/16 Dia. X 1" Lg.)
20	307506	1	Guide Plug
21	10653	1	O-ring (.949 X .755 X .097, -910)
22	307507	1	Pin
23	213204	1	Check Valve
24	17055	1	Hollow Lock Screw (3/4-16; Torque to 180-200 in. lbs.)
25	213766	1	Straight Fitting (For standard mount)
	11946	1	Straight Fitting (For manifold mount)
26	10479	1	Pipe Plug (1/4 NPTF; not needed for manifold mount)
27	308958	1	Handle
28	211911	1	Plastic Knob
29	10002	1	Soc. Hd. Cap Screw (1/4-20 UNC X 3/8 Lg.; Torque to 90/100 in. lbs.)
30	10442	1	Copper Washer (3/8 X 1/4 X 1/32)
31	21094	1	Bushing
32	15499	1	Pipe Plug (1/8 NPTF)

INSTALLATION INSTRUCTIONS FOR MANIFOLD MOUNT



Refer to any operating instructions included with this product for detailed information about operation, testing, disassembly, reassembly, and preventive maintenance.

Items found in this parts list have been carefully tested and selected. **Therefore: Use only genuine Hytec replacement parts!**

Additional questions can be directed to our Technical Services Department.