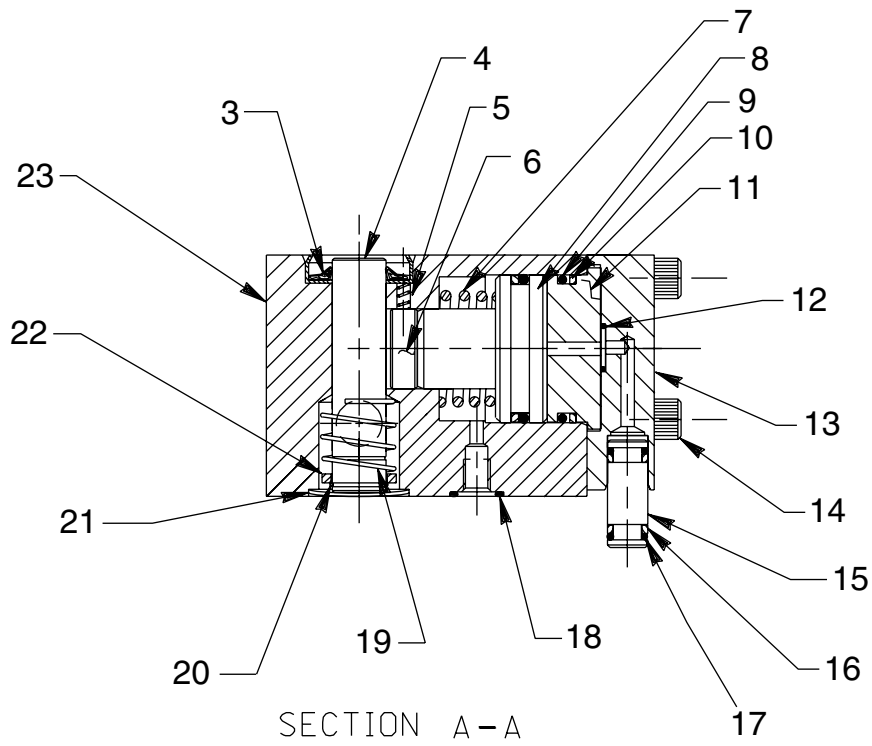
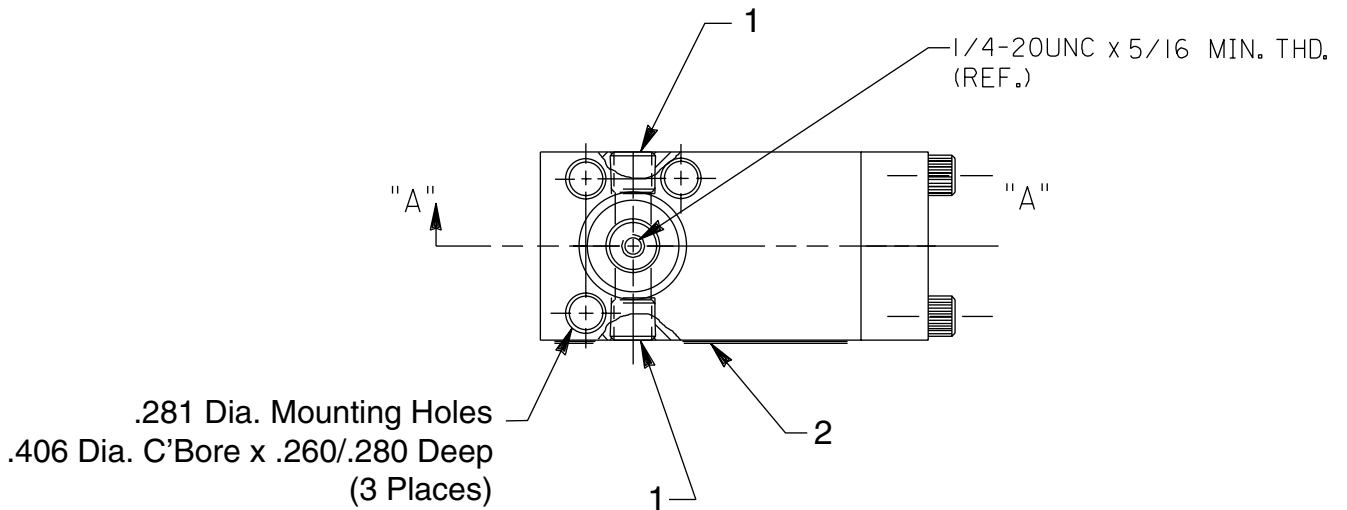


**AIR ADVANCE, SPRING RETURN
MANIFOLD MOUNT HYDRAULIC WORK SUPPORT**

Capacity: 2100 lbs. At 5000 PSI Max



Item No.	Part No.	No. Req'd	Description
1	15499	2	Pipe Level Seal Plug (1/8 NPTF)
2	250143	1	Trade Name Decal
3	*206322	1	Shaft Oil Seal (Note seal direction)
4	39439	1	Plunger
5	206439	1	Compression Spring (.120 O.D. x .310 Lg.)
6	206318	1	Shim
7	253059	1	Compression Spring (1" O.D. x .67 Lg.)
8	201878	1	Piston
9	*10914	2	O-ring (1-3/8 x 1-3/16 x 3/32)
10	*19177	2	Backup Washer (1-3/8 x 1-3/16 x 3/32)
11	215262	1	Line-up Bushing
12	10267	1	O-ring (7/16 x 5/16 x 1/16)
13	308913	1	End Cap
14	10016	4	Soc. Hd. Cap Screw (1/4-20 x 1" Lg.; Torque to 140/160 in. lbs.)
15	215261	1	Bushing
16	*12184	2	Backup Washer (3/8 x 1/4 x 1/16)
17	*10266	2	O-ring (3/8 x 1/4 x 1/16)
18	*10268	1	O-ring (1/2 x 3/8 x 1/16)
19	205649	1	Compression Spring (.730 x .654 x 1.530 Lg.)
20	11887	1	Retaining Ring
21	*205644	1	Expansion Plug (7/8 dia.; Must fit flush or below surface)
22	205643	1	Wrought Washer
23	420033	1	Work Support Body

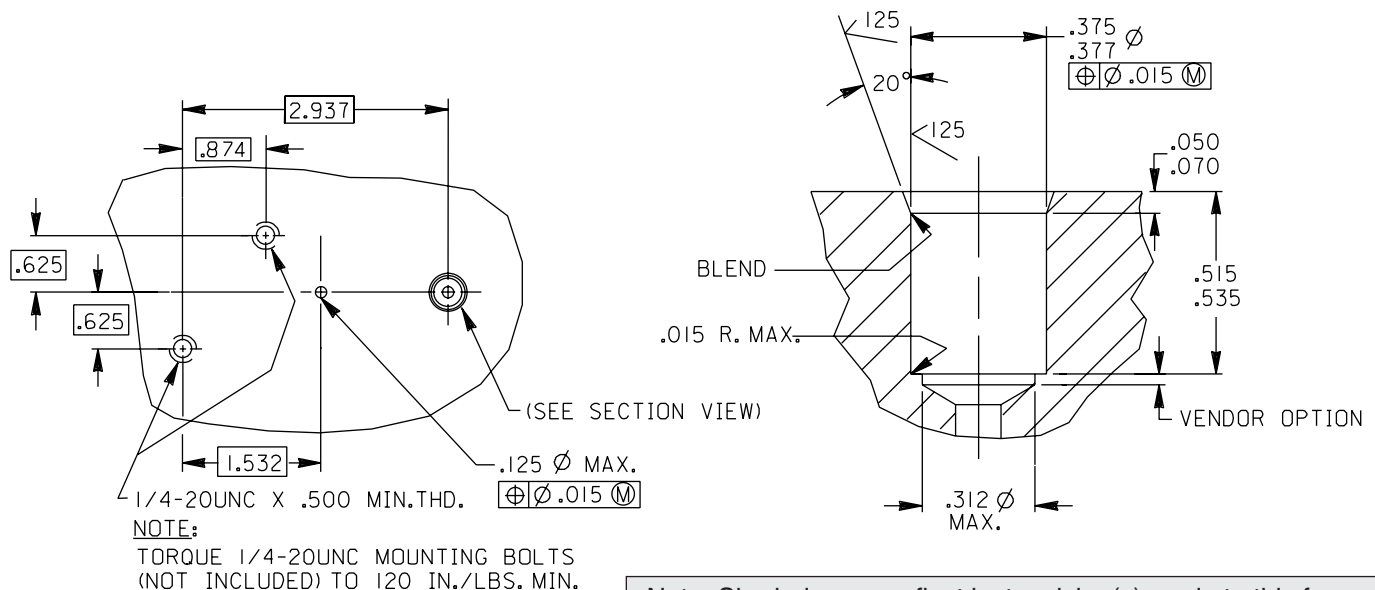
Part numbers marked with an asterisk (*) are contained in Repair Kit No. 300579.

See Hytec catalog for operational details.

Air pressure operating pressure: 25 - 50 PSI

Note: Some air leakage between the plunger and the seal may occur within this range.

INSTALLATION INSTRUCTIONS



Note: Shaded areas reflect last revision(s) made to this form.