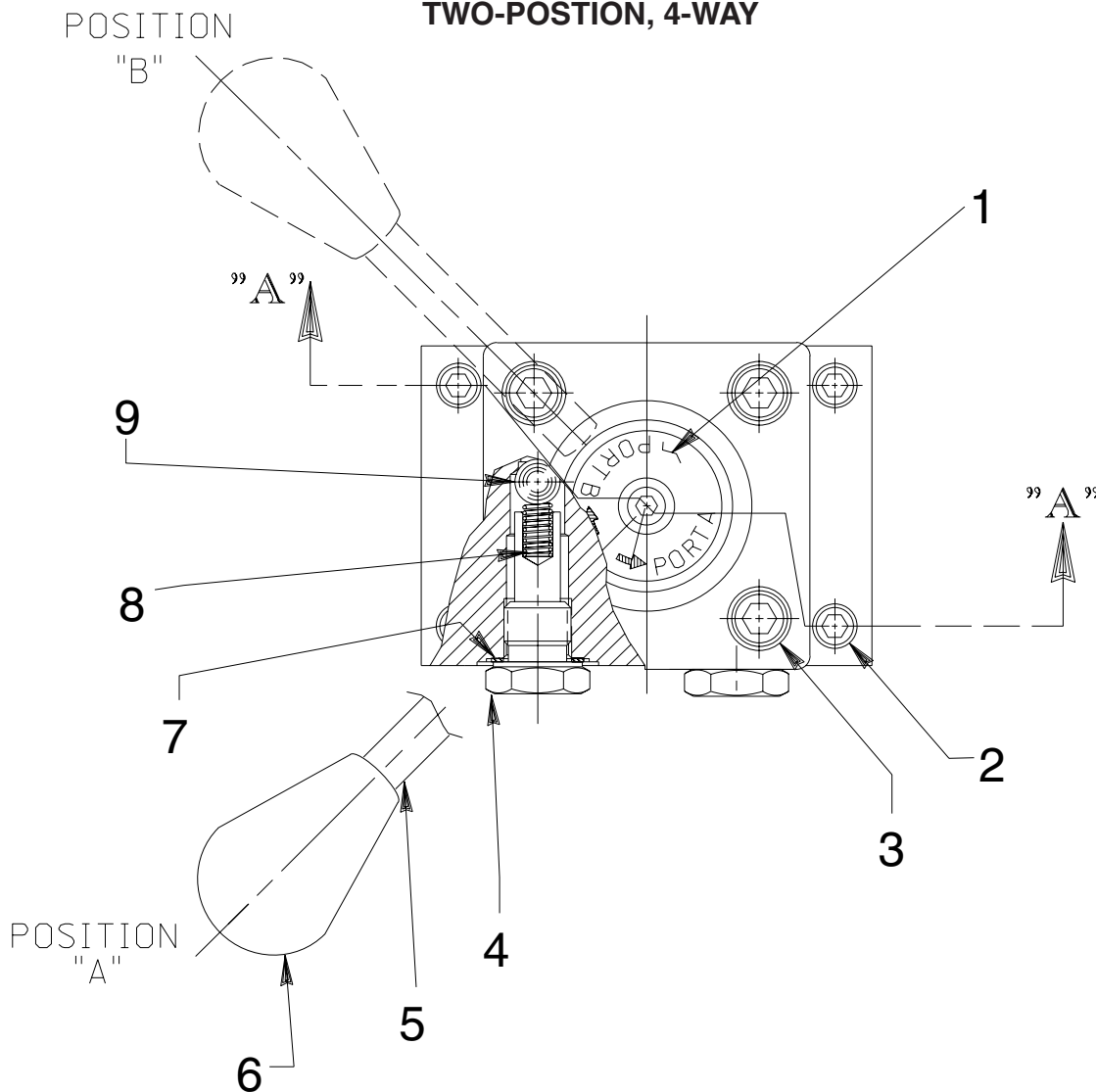


**REMOTE MANIFOLD MOUNTED  
MANUAL VALVE  
TWO-POSITION, 4-WAY**



Item No.	Part No.	No. Req'd	Description
1	211936	1	Decal
2	12001	4	Soc. Hd. Cap Screw (1/4-20 x 2-1/4 Lg.)
3	11013	4	Soc. Hd. Cap Screw (5/16-18 x 1" Lg.; Torque to 300/320 in. lbs.)
4	200269	2	Adapter Plug (Torque to 40/45 ft. lbs.)
5	21639	1	Handle Stud

Item No.	Part No.	No. Req'd	Description
6	211911	1	Plastic Knob
7	*10261	2	Copper Washer
8	11451	2	Compression Spring
9	10378	2	Metallic Ball (3/8 dia.)

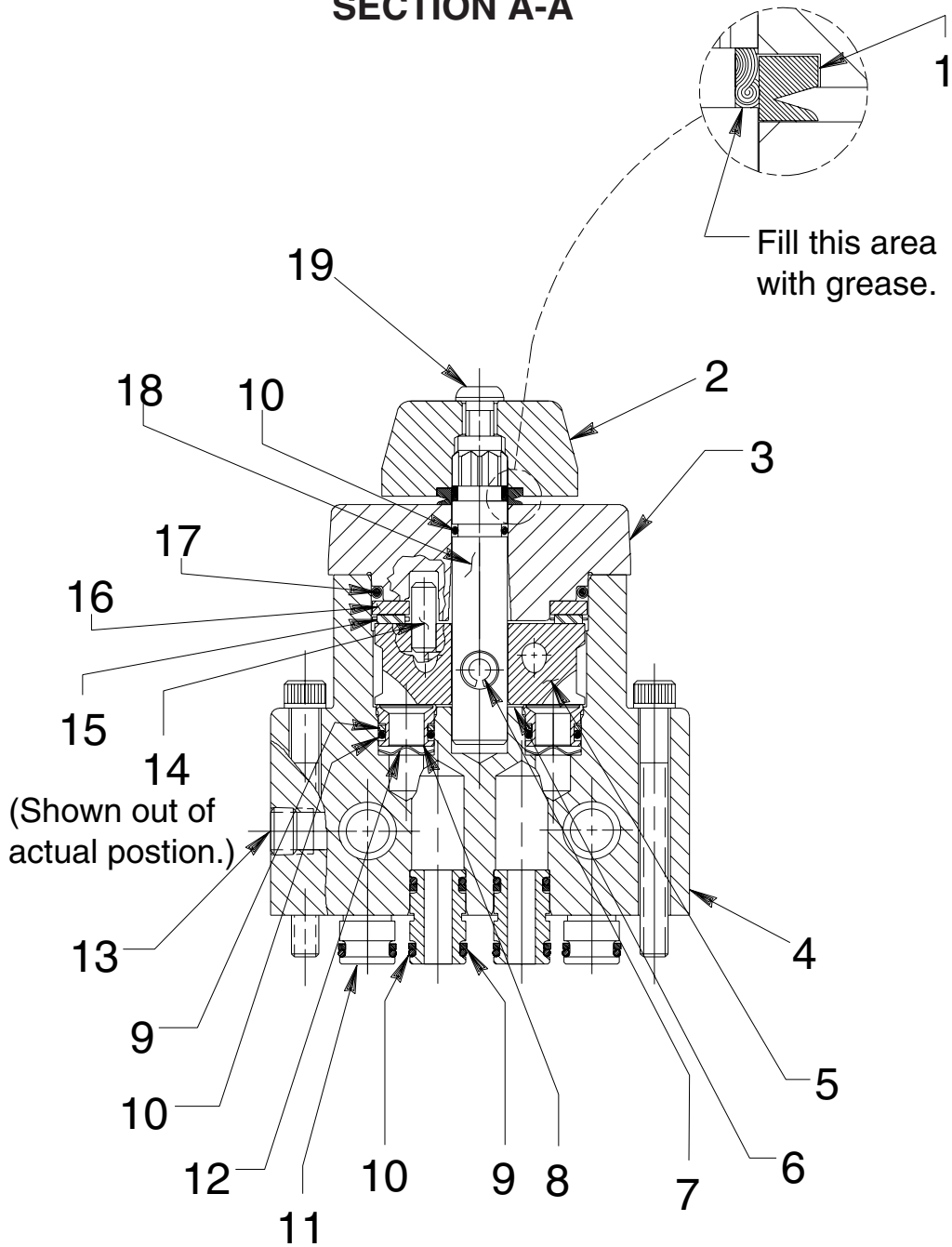
**PARTS INCLUDED BUT NOT SHOWN**  
250290 1 Plug

Part numbers marked with an asterisk (\*) are contained  
in Repair Kit No. 300588.

Sheet No. 1 of 2

Rev. Date: 15 Nov. 1990

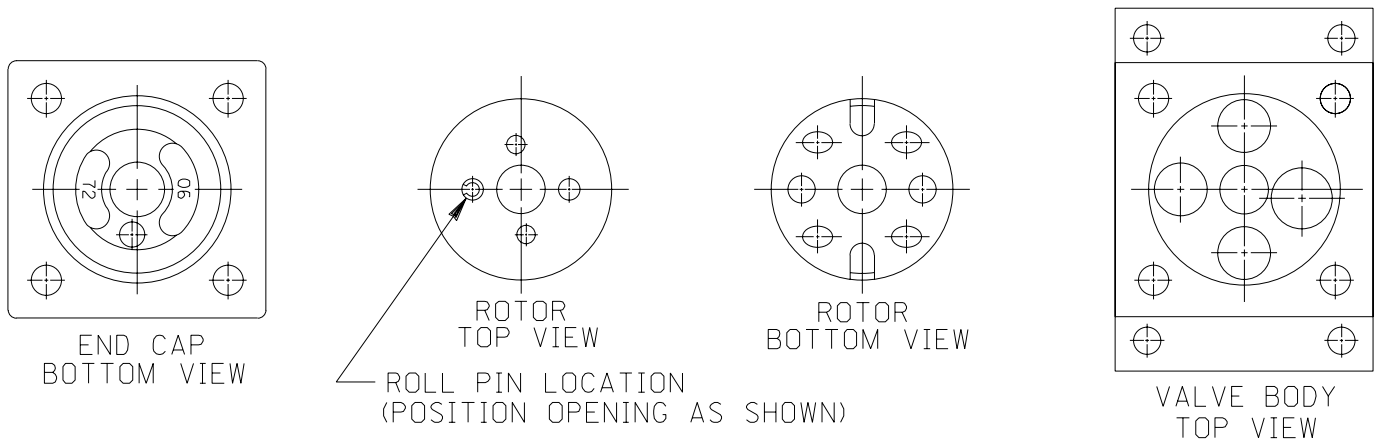
SECTION A-A



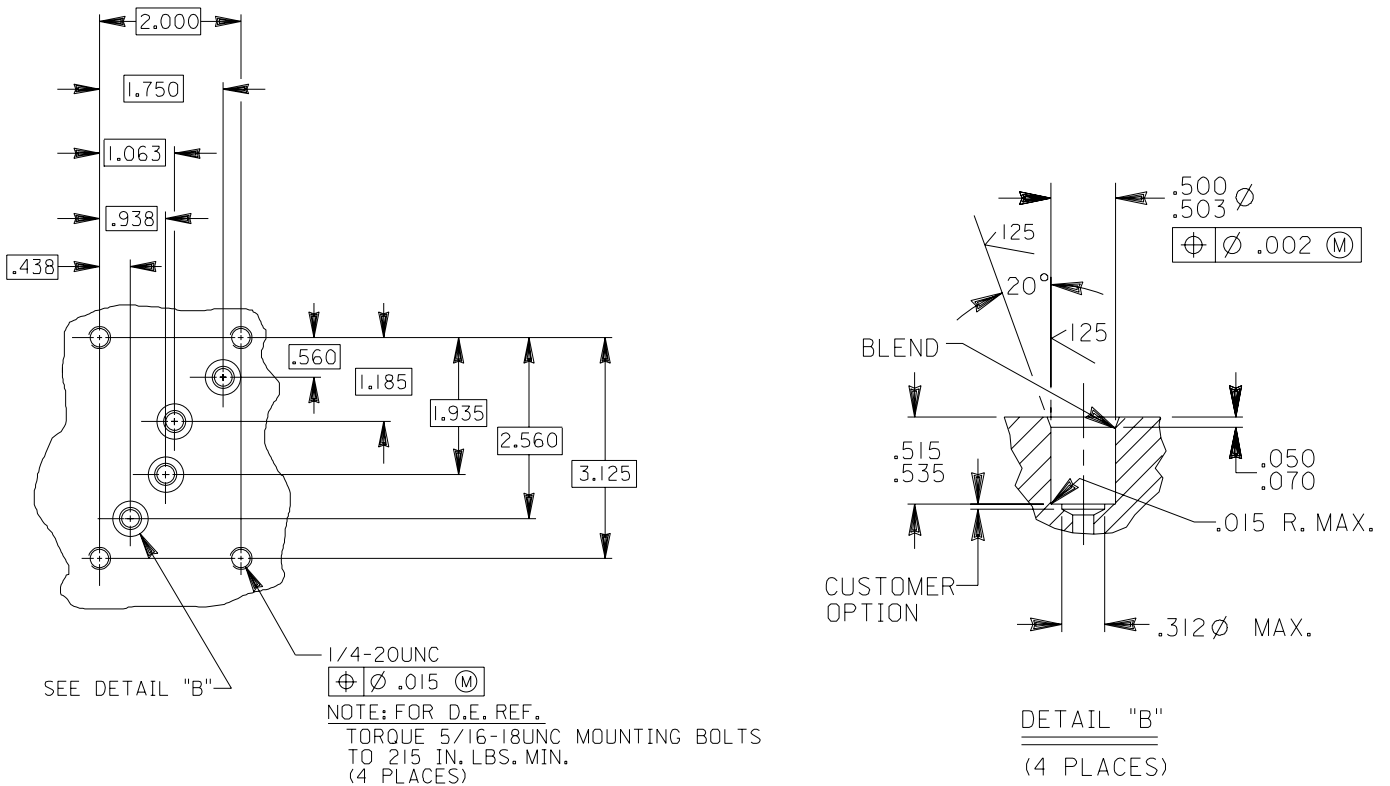
Item No.	Part No.	No. Req'd	Description
1	*213674	1	V-ring (.790 O.D. x .550 I.D. x .220 thk.)
2	46057	1	Stem End
3	61343	1	End Cap
4	64089	1	Valve Body
5	46060	1	Rotor
6	214801	1	Spacer Washer
7	10496	1	Slotted Spring Pin (5/16 O.D. x 1" Lg.; Assemble centered in rotor.)
8	202480	3	Shear Seal
9	*11863	11	O-ring Backup Washer (-012)
10	*10268	12	O-ring (-012)
11	21094	4	Bushing

Item No.	Part No.	No. Req'd	Description
12	21975	3	Spring Washer
13	15499	2	Hex. Plug (1/8 NPTF)
14	211915	1	Slotted Spring Pin
15	11228	1	Roller Thrust Bearing
16	11227-1	1	Thrust Bearing Washer
17	*15892	1	O-ring (-924)
18	46048	1	Stem
19	15911	1	Cap Screw (1/4-20 x 5/8 Lg.; Apply Locktite #222 or equiv. and torque to 60/80 in. lbs.)

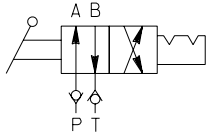
### INTERNAL ASSEMBLY ORIENTATION OF PARTS



### INSTALLATION DIAGRAM



## SPECIFICATIONS



HYD. SCHEMATIC

VALVE, REMOTE MANIFOLD MOUNTED  
MANUAL 2-POSITION, 4-WAY WITH  
PRESSURE & RETURN PORTS CHECKED  
RATED PRESSURE: 5,000 P.S.I.  
TANK PRESSURE: 500 P.S.I. MAX.  
RATED FLOW: 5 GPM REF.

NOTE: FOR PRESSURE DROP INFORMATION,  
SEE DWG.

### FUNCTION:

"A" POSITION:  
PRESSURE TO "A" PORT  
"B" PORT TO TANK

"B" POSITION:  
PRESSURE TO "B" PORT  
"A" PORT TO TANK

NOTE: THE PRESSURE LINE IS CHECKED FROM  
REVERSE FLOW. ALL PORTS OPEN TO  
TANK DURING TRANSITION BETWEEN  
VALVE POSITIONS.

Refer to any operating instructions included with this product for detailed information about operation, testing, disassembly, reassembly, and preventive maintenance.

Items found in this parts list have been carefully tested and selected. **Therefore: Use only genuine Hytec replacement parts!**

Additional questions can be directed to our Technical Services Department.