

Parts List for:

100841	100849
100842	100870
100848	100871

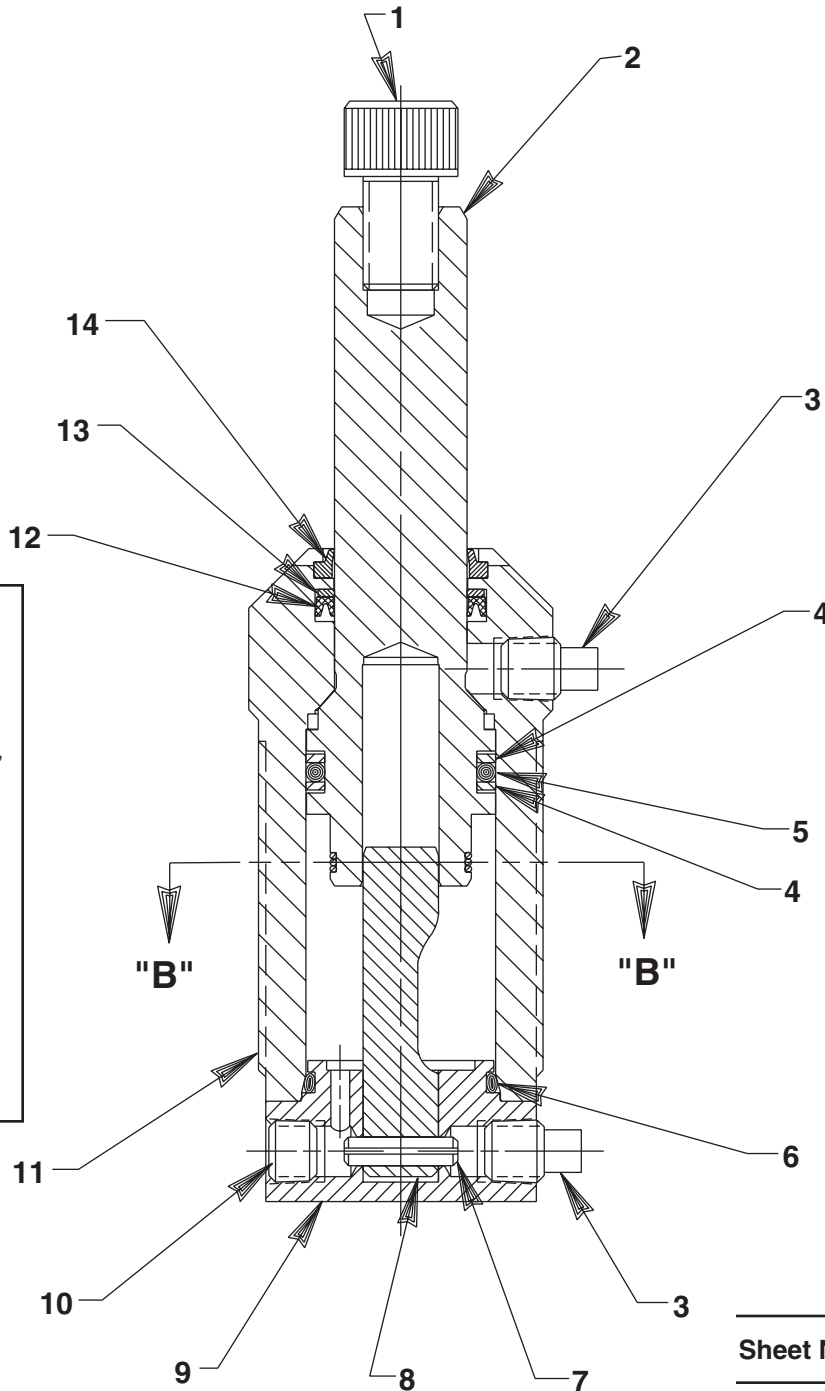
## Double-acting SWING CLAMP

Max. Capacity: 2400 Lbs. Clamping Force (with 2" Lg. arm) at 5,000 PSI

100841 - L.H., 1/2" Stroke; 100842 - R.H., 1/2" Stroke

100848 - L.H., 1-1/4" Stroke; 100849 - R.H., 1-1/4" Stroke

100870 - Straight Pull, 1/2" Stroke; 100871 - Straight Pull, 1-1/4" Stroke

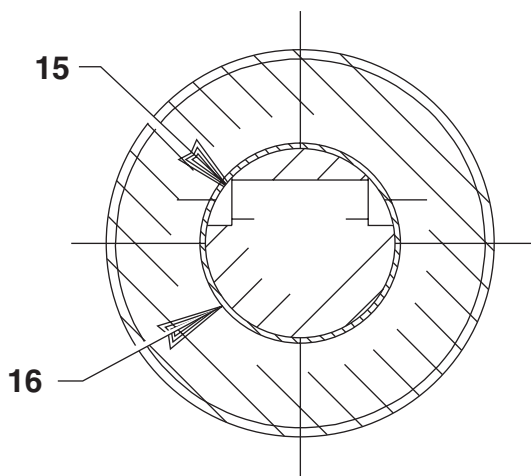


Refer to any operating instructions included with this product for detailed information about operation, testing, disassembly, reassembly, and preventive maintenance.

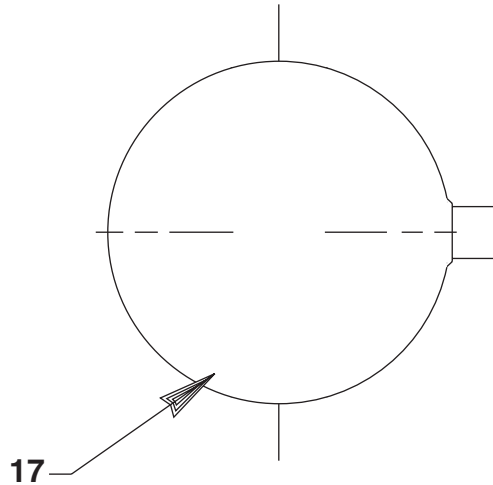
Items found in this parts list have been carefully tested and selected.

**Therefore: Use only genuine Power Team replacement parts!**

Additional questions can be directed to our Technical Services Department.



**SECTION B-B**



**BOTTOM VIEW**

Item No.	Part No.	No. Req'd	Description
1	213836	1	Hex. Soc. Hd. Cap Screw (1/2-20 UNF x 3/4 Lg.; Torque to 50 ft. lbs.)
2	420279	1	Piston Rod (For 100841 & 100842)
	420300	1	Piston Rod (For 100848 & 100849)
3	11048	2	Square Drive Plug Fitting (1/8 NPTF)
4	*19140	2	Backup Washer (1-1/4 x 1" x .048 Thk., -214)
5	*250481	1	O-ring (-214)
6	*12598	1	O-ring (1-5/16 x 1-1/8 x .093, -122)
7	10782	1	Slotted Spring Pin (3/16 dia. x 3/4 Lg.)
8	350397	1	Rotating Cam (Right Hand 90i for 100842)
	350912	1	Rotating Cam (Right Hand 30i)
	350913	1	Rotating Cam (Right Hand 45i)
	350914	1	Rotating Cam (Right Hand 60i)
	350398	1	Rotating Cam (Left Hand 90i for 100841)
	350915	1	Rotating Cam (Left Hand 30i)
	350916	1	Rotating Cam (Left Hand 45i)
	350917	1	Rotating Cam (Left Hand 60i)
	350283	1	Rotating Cam (Left Hand 90i for 100848)
	350280	1	Rotating Cam (Right Hand 90i for 100849)
	350343	1	Rotating Cam (Straight Pull for 100870)
	350344	1	Rotating Cam (Straight Pull for 100871)
9	350396	1	End Cap
10	15499	1	Level Seal Plug Fitting (1/8 NPTF)
11	64166	1	Swing Clamp Body (For 100841 & 100842)
	64189	1	Swing Clamp Body (For 100848 & 100849)
12	*250480	1	V-cup
13	*250479	1	Backup Washer (1.113 x 7/8 x .048 Thk., -212)
14	*250478	1	Rod Wiper
15	250482	1	Dowel Pin (3/16 dia. x .595 Lg.)
16	250483	1	Retainer Ring
17	250476	8	Hex. Soc. Hd. Cap Screw (#6-32 UNC x 3/4 Lg.; Torque to 30-40 in. lbs.)

Part numbers marked with an asterisk (\*) are contained in Repair Kit No. 300610.

Right hand rotation is clockwise rotation when viewed from the piston rod end.  
 Left hand is counterclockwise rotation. To reverse clamp rotation, order the appropriate rotating cam.

NOTE: Shaded areas reflect last revision(s) made to this form.