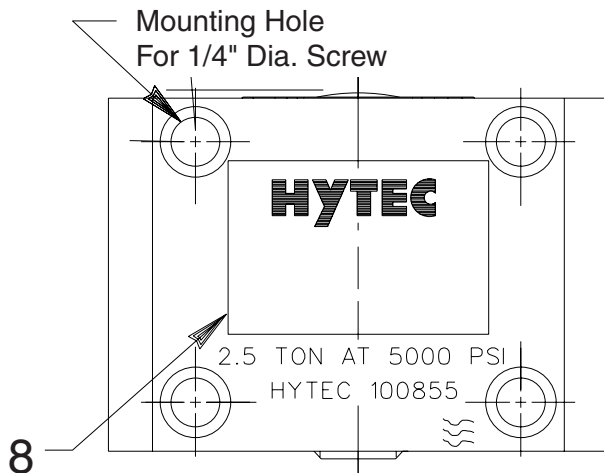
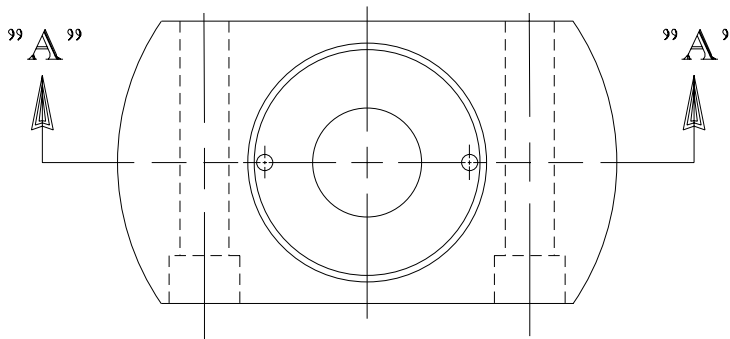
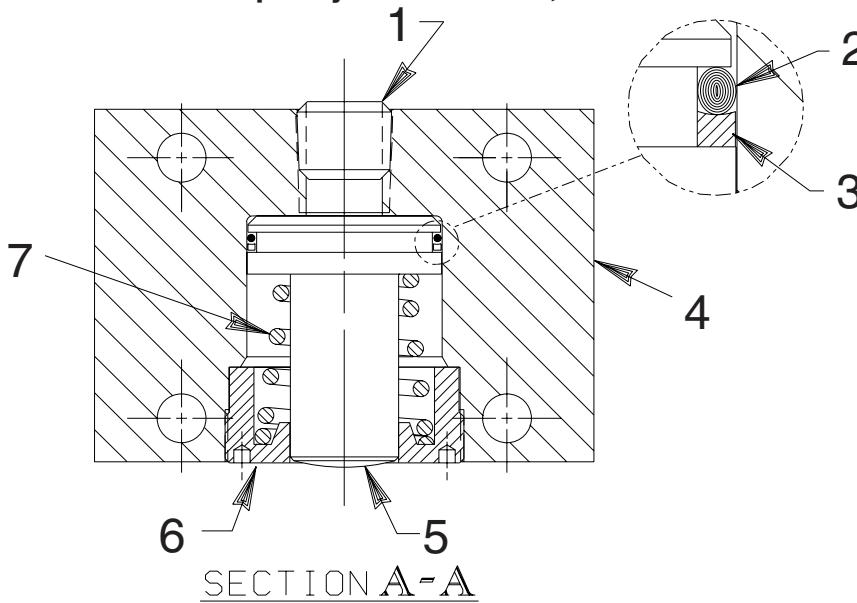


HYDRAULIC CYLINDER

Max. Capacity: 2.5 Ton at 5,000 PSI



Parts List, Form No. 101275, Back sheet 1 of 1

Item No.	Part No.	No. Req'd	Description
1	10479	1	Pipe Plug (1/4 NPTF)
2	*19543	1	O-ring (1-1/8 X 1" X 1/16, -022)
3	*211994	1	Backup Washer (1 -1/8 X 1" X 3/64, -022)
4	420461	1	Cylinder Body
5	46174	1	Piston
6	46176	1	Retainer
7	212000	1	Compression Spring (1" O.D. Tapered X 1 5/8 Lg.)
8	215829	1	Decal

Part numbers marked with an asterisk (*) are contained in Repair Kit No. 300454.

Refer to any operating instructions included with this parts list for detailed information about operation, testing, disassembly, reassembly, and preventive maintenance.

Items found in this parts list have been carefully tested and selected. **Therefore: Use only genuine Hytec replacement parts!**

Additional questions can be directed to our Technical Services Department.