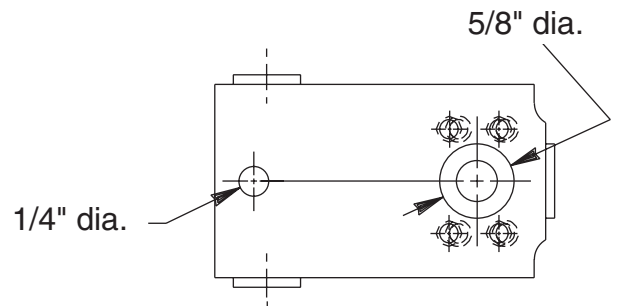
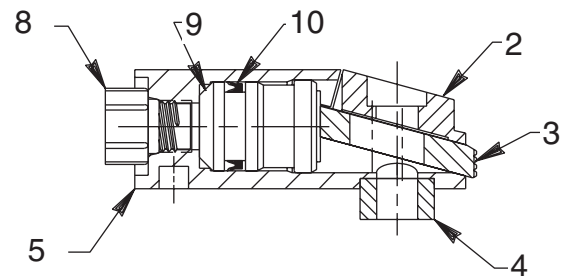
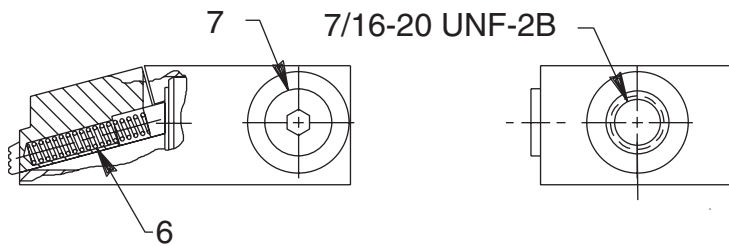
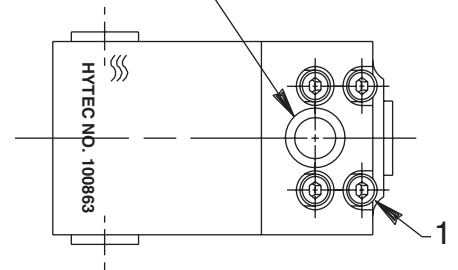


## EDGE CLAMP

Max. Capacity: 2,000 Lbs. At 5,000 PSI Max. Operating Pressure

Mounting hole for  
5/16" cap screw



Item No.	Part No.	No. Req'd	Description
1	15122	4	Soc. Hd. Cap Screw (#10-32 UNF X 5/8 Lg.; Torque to 60/70 in. lbs.)
2	350551	1	Clamping Slide Cap
3	350506	1	Clamping Slide
4	250886	1	Bushing
5	420513	1	Edge Clamp Body
6	250882	2	Compression Spring (3/16 O.D. x 1-3/32 Lg.)
7	250883	2	Plug Fitting (7/16-20 UNF)
8	250961	1	Plastic Shipping Plug
9	350503	1	Piston
10	216328	1	U-cup

Refer to any operating instructions included with this product for detailed information about operation, testing, disassembly, assembly, and preventive maintenance.

Items found in this parts list have been carefully tested and selected. **Therefore: Use only genuine Hytec replacement parts!**

Additional questions can be directed to our Technical Services Department.