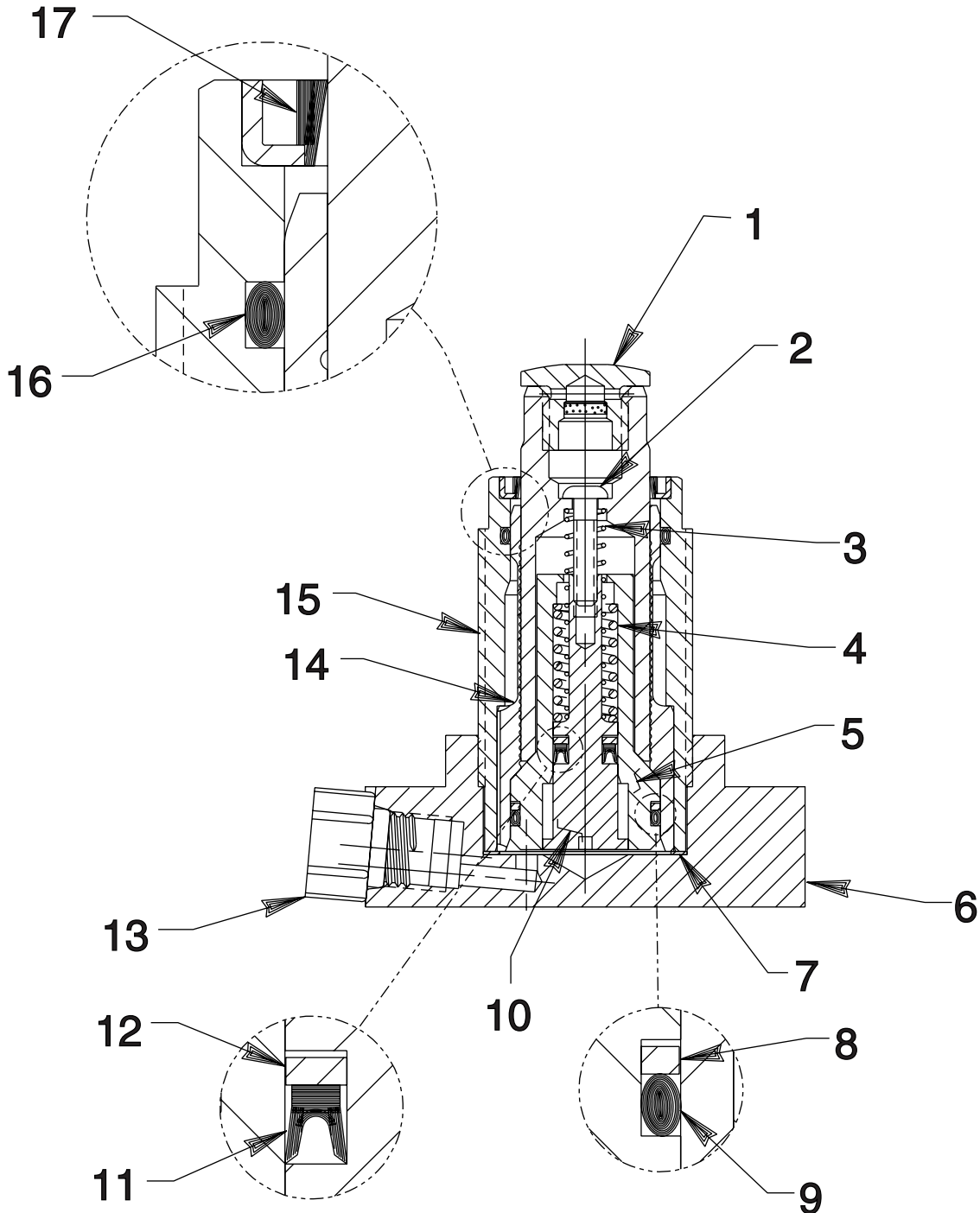


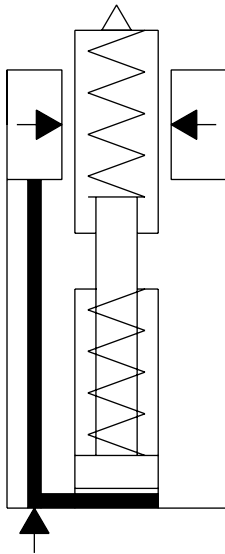
**FLUID ADVANCE**  
**HYDRAULIC WORK SUPPORT**  
1,100 Lbs. Load Capacity at 5,000 PSI



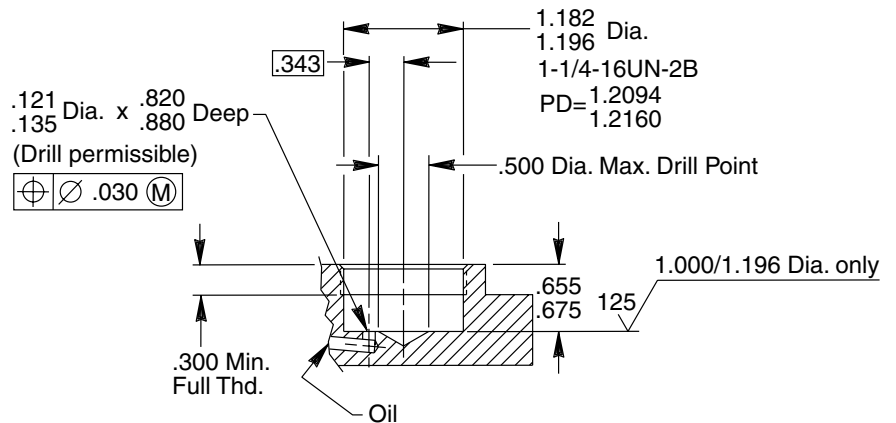
Item No.	Part No.	No. Req'd	Description
1	251397	1	Vented Button Assembly
2	251242	1	Cap Screw (6-32 UNC x 5/8 Lg.); Apply Loctite 271 or equivalent. Adjust screw until piston [Item #10] is flush with adapter [Item #5].
3	251243	1	Compression Spring (1/4 O.D. x 2.787 Lg.)
4	251244	1	Compression Spring (3/8 O.D. x 1" Lg.)
5	350729	1	Piston Adapter
6	500035	1	Mounting Base (For 100873 only)
7	*251248	1	Backup Washer (1-3/16 x 1" x .048)
8	*251247	1	Backup Washer (7/8 x 3/4 x .048)
9	*251246	1	O-ring (7/8 x 3/4 x 1/16)
10	350730	1	Piston
11	*251252	1	U-cup
12	*251245	1	Backup Washer (3/8 x 3/16 x .048)
13	250961	1	Plug (For 100873 only)
14	420706	1	Work Support Sleeve & Plunger Set
15	420705	1	Work Support Body (Torque to 85/95 ft. lbs.)
16	*12900	1	O-ring (1" x 7/8 x 1/16)
17	*251254	1	Wiper Seal

Part numbers marked with an asterisk (\*) are contained in Repair Kit No. 300654.

### HYDRAULIC SCHEMATIC



### MANIFOLD MOUNT CAVITY DIMENSIONS



Note: Manifold Mount Cavity Dimensions changed at last revision(s) made to this form.

Refer to any operating instructions included with this product for detailed information about operation, testing, disassembly, reassembly, and preventive maintenance.

Items found in this parts list have been carefully tested and selected. **Therefore: Use only genuine Hytec replacement parts!**

Additional questions can be directed to our Technical Services Department.