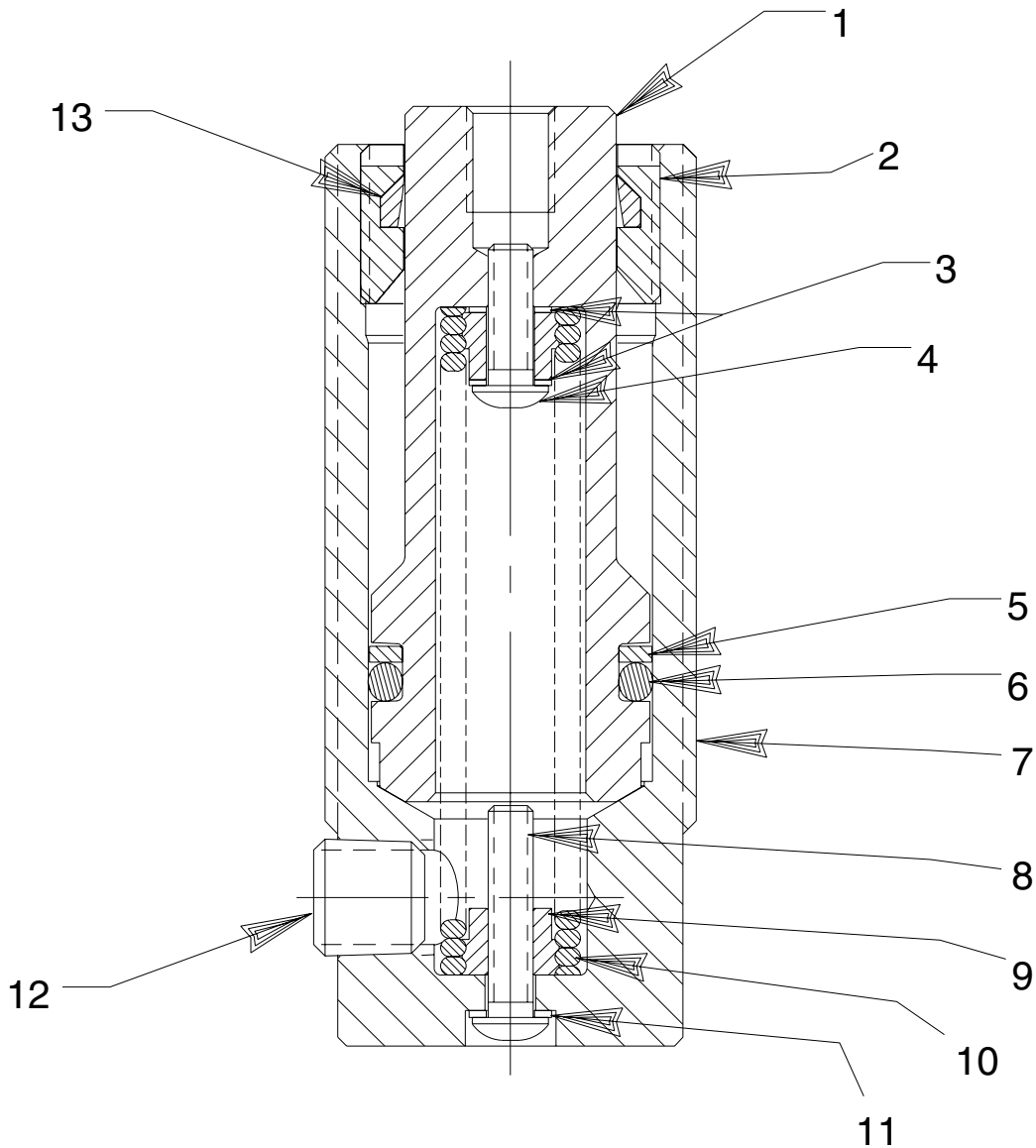


MODEL C
SINGLE-ACTING, SPRING RETURN
HYDRAULIC CYLINDER
Max. Capacity: 1.96 Tons at 5,000 PSI



Parts List, Form No. 101354, Back sheet 1 of 1

Item No.	Part No.	No. Req'd	Description
1	350087	1	Piston Rod
2	214200	1	Retainer Nut (Apply Loctite 222 & torque to 10/30 in. lbs. with retainer nut bottomed)
3	*16079	3	Soft Copper Washer (17/64 x 11/64 x 1/32)
4	251409	1	Special Machined Screw (Torque to 35/40 in. lbs.)
5	*19138	1	Backup Washer
6	*10276	1	O-ring (1" x 3/4 x 1/8, -210)
7	350767	1	Cylinder Body
8	214217	1	Cap Screw (#8-32 UNC x 3/4 Lg.; Torque to 35/40 in. lbs.)
9	201410	2	Spring Retainer
10	207529	1	Extension Spring (1/2 O.D. x 2-1/8 Lg.)
11	10427	1	Pipe Plug (1/8 NPTF)
12	*214201	1	Rod Wiper

Part numbers marked with an asterisk (*) are contained in Repair Kit No. 300482.

Refer to any operating instructions included with this product for detailed information about operation, testing, disassembly, reassembly, and preventive maintenance.

Items found in this parts list have been carefully tested and selected. **Therefore: Use only genuine Hytec replacement parts!**

Additional questions can be directed to our Technical Services Department.