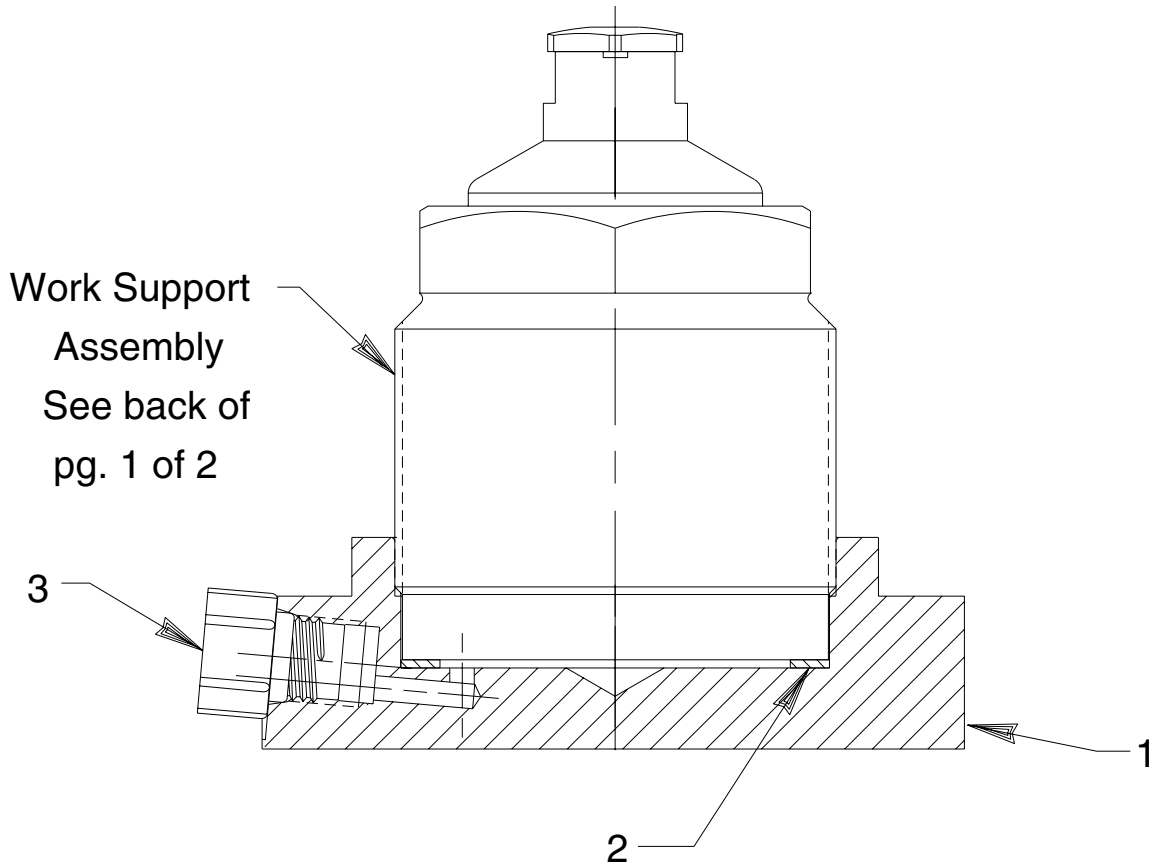
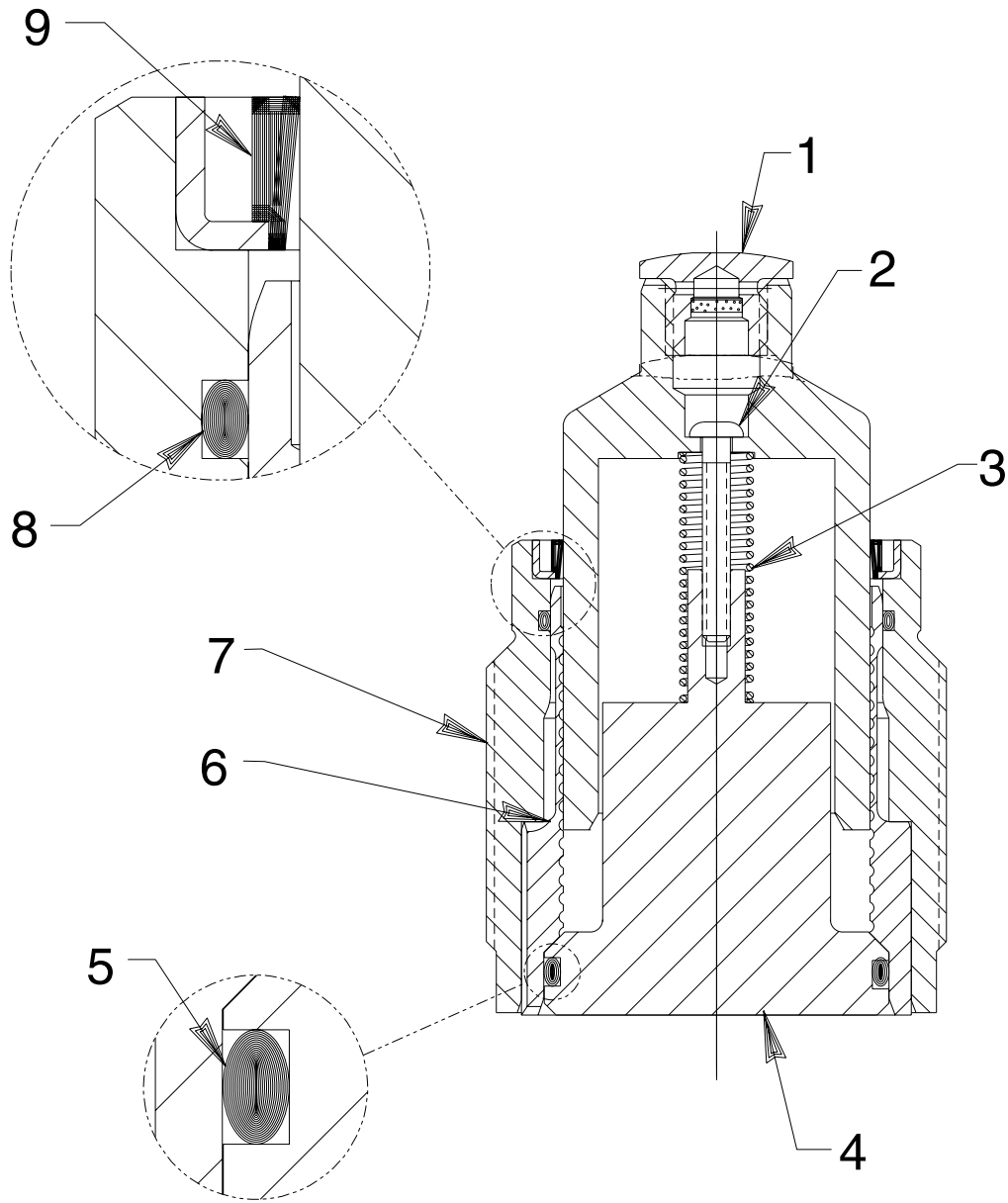


**SPRING ADVANCE
HYDRAULIC WORK SUPPORT**
4,000 Lbs. Load Capacity at 5,000 PSI

| Item No. | Part No. | No. Req'd | Description |
|----------|----------|-----------|--|
| 1 | 500028 | 1 | Mounting Base (For 100885 only) |
| 2 | *251460 | 1 | Backup Washer |
| 3 | 250961 | 1 | Plastic Fitting Plug (For 100885 only) |

Part numbers marked with an asterisk (*) are contained in Repair Kit No. 300664.

WORK SUPPORT ASSEMBLY

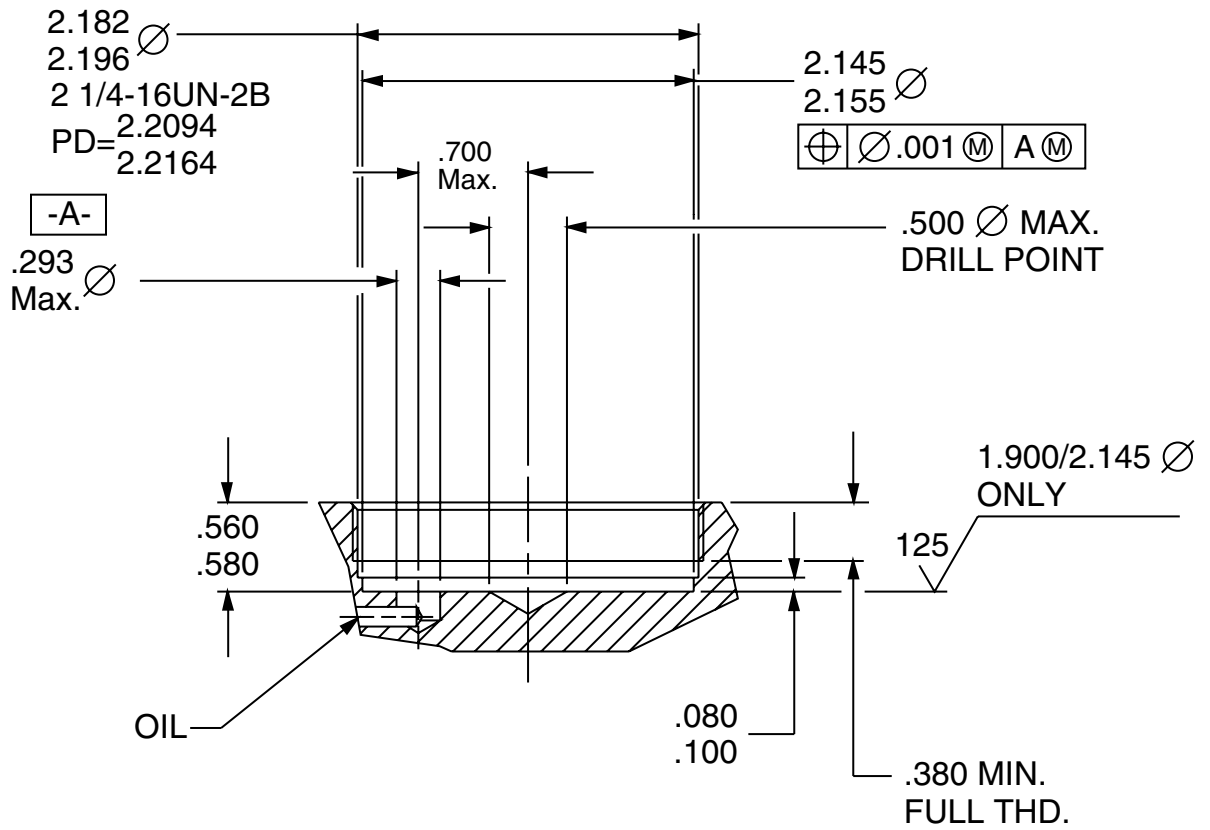


| Item No. | Part No. | No. Req'd | Description |
|----------|----------|-----------|---|
| 1 | 251560 | 1 | Vented Button Assembly |
| 2 | 251474-1 | 1 | Cap Screw (6-32 UNC x 1" Lg.; Apply Loctite 271 or equiv. Adjust screw to .480/.520 stroke) |
| 3 | 251388 | 1 | Compression Spring (.362 O.D. x 2-3/4 Lg.) |
| 4 | 350865 | 1 | Spring Adapter |
| 5 | *251463 | 1 | O-ring (1-11/16 x 1-1/2 x .094) |
| 6 | 420781 | 1 | Work Support Sleeve & Plunger |
| 7 | 420780 | 1 | Work Support Body |
| 8 | *251465 | 1 | O-ring (1-3/4 x 1-5/8 x 1/16) |
| 9 | *252218 | 1 | Rod Wiper |

Part numbers marked with an asterisk (*) are contained in Repair Kit No. 300664.

Note: Shaded areas reflect last revision(s) made to this form.

MANIFOLD MOUNT CAVITY DIMENSIONS



HYDRAULIC SCHEMATIC

