

Parts List for:

100841	100849
100842	100870
100848	100871

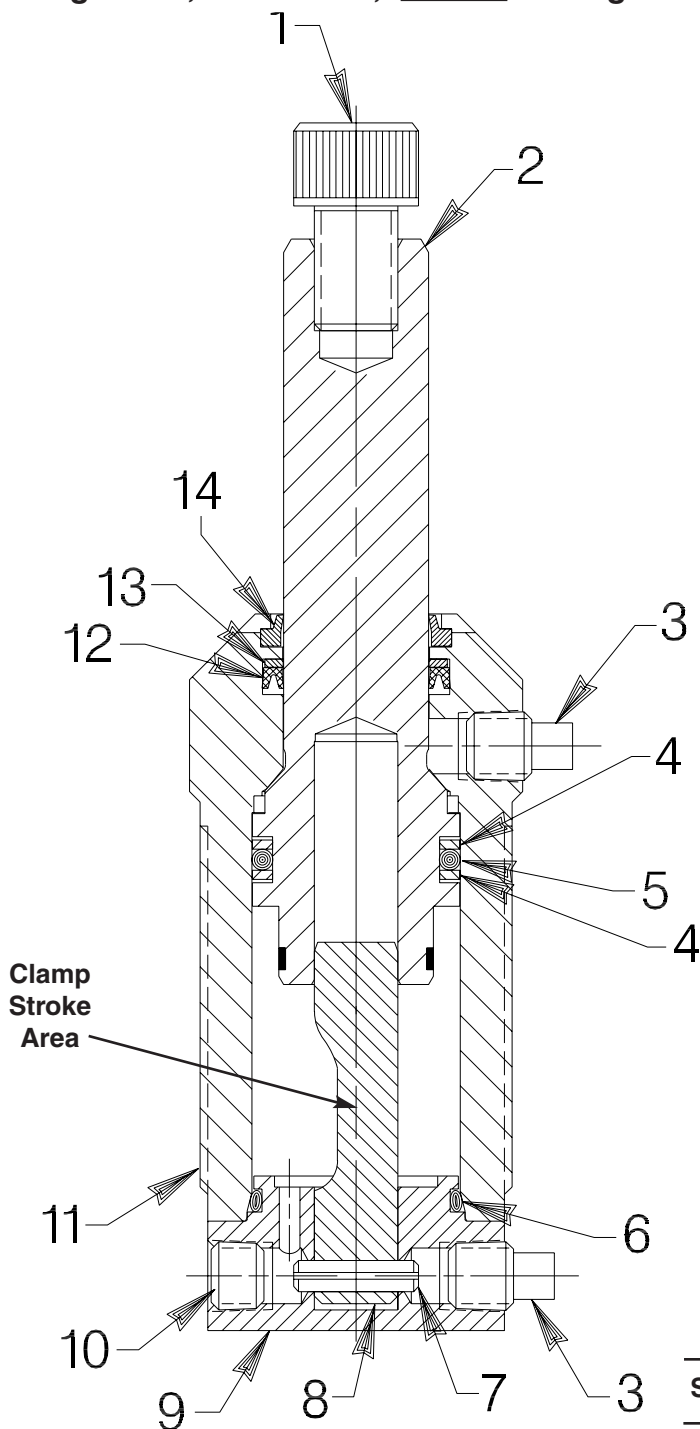
**MODEL B
DOUBLE-ACTING SWING CLAMP**

Max. Capacity: 2400 Lbs. Clamping Force (with 2" Lg. arm) at 5,000 PSI

100841 - L.H., 1/2" Stroke; 100842 - R.H., 1/2" Stroke

100848 - L.H., 1-1/4" Stroke; 100849 - R.H., 1-1/4" Stroke

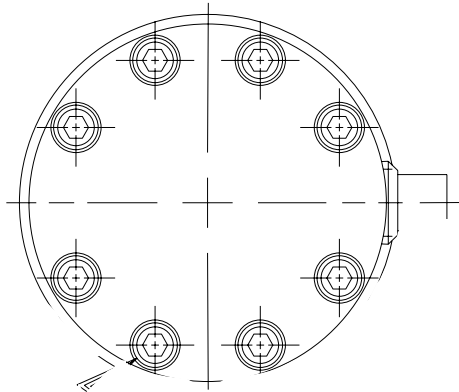
100870 - Straight Pull, 1/2" Stroke; 100871 - Straight Pull, 1-1/4" Stroke



Refer to any operating instructions included with this product for detailed information about operation, testing, disassembly, reassembly, and preventive maintenance.

Items found in this parts list have been carefully tested and selected. **Therefore: Use only genuine Hytec replacement parts!**

Additional questions can be directed to our Technical Services Department.



BOTTOM VIEW

Item No.	Part No.	No. Req'd	Description
1	213836	1	Hex. Soc. Hd. Cap Screw (1/2-20 UNF x 3/4 Lg.; Torque to 40/60 ft. lbs.)
2	351025	1	Piston Rod, Roller and Retainer Assembly (For 100841, 100842 & 100870)
	351026	1	Piston Rod, Roller and Retainer Assembly (For 100848, 100849 & 100871)
3	11048	2	Square Drive Plug Fitting (1/8 NPTF)
4	*19140	2	Backup Washer (1-1/4 x 1" x .048 Thk.)
5	*250481	1	O-ring
6	*12598	1	O-ring (1-5/16 x 1-1/8 x .093)
7	10782	1	Slotted Spring Pin (3/16 dia. x 3/4 Lg.)
8	350397	1	Rotating Cam (Right Hand† 90° for 100842)
	350912	1	Rotating Cam (Right Hand† 30°)
	350913	1	Rotating Cam (Right Hand† 45°)
	350914	1	Rotating Cam (Right Hand† 60°)
	350398	1	Rotating Cam (Left Hand† 90° for 100841)
	350915	1	Rotating Cam (Left Hand† 30°)
	350916	1	Rotating Cam (Left Hand† 45°)
	350917	1	Rotating Cam (Left Hand† 60°)
	350283	1	Rotating Cam (Left Hand† 90° for 100848)
	350280	1	Rotating Cam (Right Hand† 90° for 100849)
	350343	1	Rotating Cam (Straight Pull for 100870)
	350344	1	Rotating Cam (Straight Pull for 100871)
9	350396	1	End Cap
10	15499	1	Level Seal Plug Fitting (1/8 NPTF)
11	64166	1	Swing Clamp Body (For 100841, 100842 & 100870)
	64189	1	Swing Clamp Body (For 100848, 100849 & 100871)
12	*250480	1	V-cup
13	*250479	1	Backup Washer (1.113 x 7/8 x .048 Thk.)
14	*250478	1	Rod Wiper
15	250476	8	Hex. Soc. Hd. Cap Screw (#6-32 UNC x 3/4 Lg.; Torque to 30-40 in. lbs.)

NOTE: Flat of cam (clamp stroke area) to be opposite of body port. Grease roller in piston rod (Item #2) and cam with a light coating of CDM Extreme Pressure Lube #3.

Part numbers marked with an asterisk (*) are contained in Repair Kit No. 300610.

†Right hand rotation is clockwise rotation when viewed from the piston rod end. Left hand is counterclockwise rotation. To reverse clamp rotation, order the appropriate rotating cam.

Note: Shaded areas reflect last revision(s) made to this form.