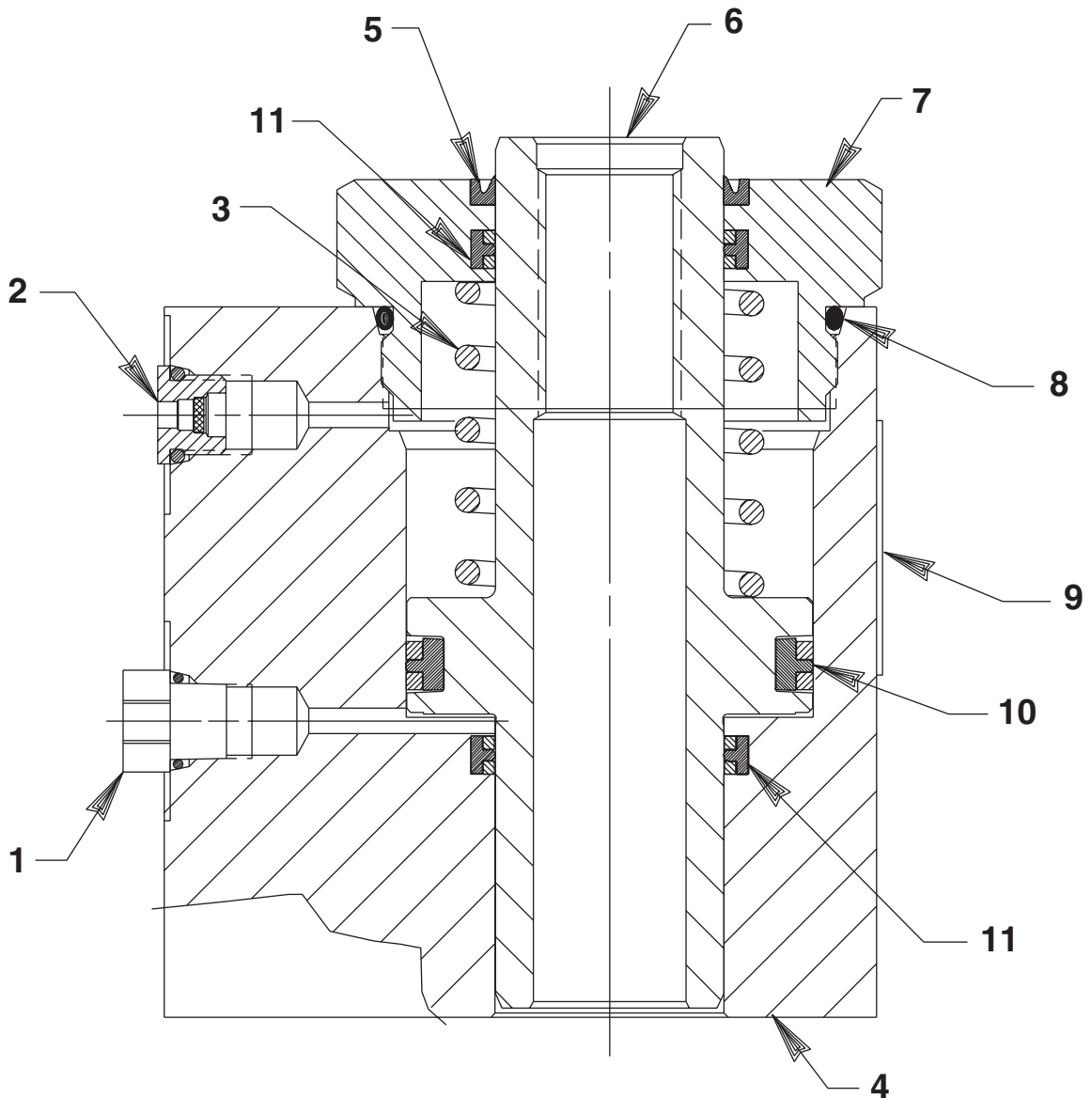


Parts List for:

100934	100937
100935	100938
100936	100939

**CENTER HOLE - SPRING RETURN OR DOUBLE-ACTING  
HYDRAULIC CYLINDER**  
Max. Capacity: 5,000 PSI



# Parts List, Form No. 101608, Back sheet 1 of 1

Item No.	No. Req'd	Description	Catalog No.					
			100934	100935	100936	100937	100938	100939
1	2	Plug, Fitting	250961	250961	250961	250961	250961	250961
2	1	Vented Plug Assembly	251738	251738	251738	251738	251738	251738
3	1	Compression Spring	15112	209177	208730	208730	208730	208730
4	1	Cylinder Body	421062	421063	421064	421065	421064	421065
5	1	Rod Wiper *	15088	15088	15089	15089	15089	15089
6	1	Piston	500008	500009	302789	302790	500022	500023
7	1	Retainer Cap (Torque to 350/370 Ft. Lbs.)	500013	500013	500027	500027	500027	500027
8	1	O-ring*	15125	15125	15182	15182	15182	15182
9	1	Trade Name Decal	215829	215829	215829	215829	215829	215829
10	1	T-Seal & Backup Ring* (Smooth side of backup ring must be against seal)	15166	15166	15168	15168	15168	15168
11	2	T-Seal & Backup Ring* (Smooth side of backup ring must be against seal)	15170	15170	15172	15172	15172	15172

Repair Kit No.	300278	300278	300279	300279	300279	300279
----------------	--------	--------	--------	--------	--------	--------

Refer to any operating instructions included with this product for detailed information about operation, testing, disassembly, reassembly, and preventive maintenance.

Items found in this parts list have been carefully tested and selected. **Therefore: Use only genuine Hytec replacement parts!**

Additional questions can be directed to our Technical Services Department.